

# FILL-RITE®

## H-SERIES FUEL TRANSFER PUMPS

FR1200, FR2400, FR4200, FR4400, FR600, SD1200, SD600  
Installation and Operation Manual



MADE IN   
USA  
WITH GLOBAL MATERIALS

  
GORMAN-RUPP  
COMPANY

**Table of Contents**

Limited Warranty Policy ..... 2

About This Manual ..... 2

Symbols and Definitions ..... 3

Before You Begin ..... 3

Safety Information ..... 4

Installation ..... 5

12V DC and 24V DC Wiring Instructions ..... 7

115V AC Wiring Instructions ..... 10

Operation Instructions ..... 12

Security ..... 12

Troubleshooting Guide ..... 12

Specifications and Models ..... 14

Performance Curves ..... 17

Accessories ..... 19

Pump Service Kits ..... 21

Certifications ..... 22

Motor Tag ..... 22

**Thank You!**

Thank you for your loyalty to the Fill-Rite® brand of fuel transfer pumps. Your safety is important, so please read and thoroughly understand the procedures set forth in this manual. In addition, please save these instructions for future reference and record the model, serial number, and purchase date of your fuel transfer pump. Protect yourself as well as those around you by observing all safety instructions and adhering to all danger, warning, and caution symbols. Please register your Fill-Rite® product via [info.fillrite.com/product\\_registration](http://info.fillrite.com/product_registration).

**IMPORTANT RETURN POLICY**

**Please do not return this product to the store.** For all warranty and product questions, please contact Fill-Rite Technical Support at 1 (800) 720-5192 or via email at [FillRiteTech@fillrite.com](mailto:FillRiteTech@fillrite.com) (M-F, 8 AM – 5 PM ET).

MODEL#	
SERIAL#	
PURCHASE DATE:	

**Limited Warranty Policy**

Fill-Rite Company warrants the goods manufactured shall be free from defects of materials and workmanship. Specific warranty details for individual products can be found at [fillrite.com](http://fillrite.com).




## H-Series Fuel Transfer Pumps Have the Following Features

- **Adjustable Electrical Junction Box**  
Rotates 180 degrees to provide ease of electrical wiring installation in tight quarters no matter the inlet bung location
- **Reliable, Heavy-Duty Power Switch Lever**  
Features a cast metal stop that withstands heavy use in the most rugged environments
- **Locking Bar Defense**  
Elongated bar simplifies the pad locking process to prevent theft
- **Focused Component Weight Reduction**  
Preserves expected heavy-duty performance while improving installation ease
- **Premium Paint Shield**  
An exemplary corrosion resistant barrier for long field life
- **Thermally Protected Motor**  
Prevents overheating to ensure maximum motor life
- **Telescoping Inlet Metal Suction Pipe\***  
Adjustable from 20 to 34 inches in length, allowing for universal installation on a multitude of tank sizes and shapes  
\*Not included with SD models
- **Intake Strainer Safeguard**  
Protects the pump by blocking particles created by contamination
- **Certifications** – UL, cUL

## About This Manual

From initial concept and design through final production, your Fill-Rite fuel transfer pump is built to provide years of trouble-free use. To ensure the safety of yourself and those around you, it is critical that this manual is read in its entirety prior to attempting to install or operate your new purchase. We strongly urge that any installer and operator become familiar with the terms, diagrams, and technical data in this manual and pay close attention to warning symbols and definitions. At Fill-Rite, your satisfaction with our products is paramount. If you have questions or need assistance with your product, please contact Fill-Rite Technical Support at 1 (800) 720-5192 (M-F, 8am-5pm ET).

## Symbols and Definitions

 <b>DANGER</b>	Indicates a hazardous situation which, if not avoided, will result in death or serious injury.
 <b>WARNING</b>	Indicates a hazardous situation which, if not avoided, could result in death or serious injury.
 <b>CAUTION</b>	Indicates a hazardous situation which, if not avoided, could result in moderate or minor injury.
<b>NOTICE</b>	Indicates information considered important but not directly hazard related.

## Before You Begin

### Fueling Requirements

The Fill-Rite FR1200, FR2400, FR4200, FR4400, FR600 as well as SD1200 and SD600 models are designed and approved for use with the following flammable and combustible fluids: gasoline and gasoline blends up to 15% or E15, diesel, biodiesel blends up to 20% or B20, kerosene, and mineral spirits. Please take all necessary precautions when handling flammable liquids.

### Power Source Requirements

Depending on the Fill-Rite model, supply line power will either be 12V DC, 24V DC, or 115V AC. The pump motor nameplate located next to the switch lever will provide detailed electrical information. Please refer to the appropriate electrical instructions found starting on **Page 7** (DC power) or **Page 10** (AC power).

### Items that may be needed for installation:

Steel pipe wrench 14-24", open end wrench or socket (7/16", 11mm), T-25 Torx driver, utility knife, angle grinder or hacksaw (optional), wire cutters, wire stripper/crimper, and thread sealant (optional).

**NOTE:** Fill-Rite provides Teflon® tape for all models as listed on **Page 16**.

**Safety Information**

To ensure a safe installation and proper equipment operation, please read, understand, and adhere to all DANGER/WARNING/CAUTION and other NOTICES.

**⚠ DANGER**

Never smoke around or near a fuel tank or transfer pump. Open flames or a spark when pumping a flammable liquid will result in a fire. Improper electrical wiring or installation will result in serious injury or death.

**⚠ WARNING**

Electrical wiring should ONLY be performed by a licensed electrician in compliance with all local, state, and national electrical codes (NEC/ANSI/NFPA 30, NFPA 30A, and NFPA 70) as appropriate for the intended use of a Fill-Rite fuel transfer pump.

Threaded rigid conduit, sealed fittings, and conductor seal should be used where applicable and as defined by these codes.

This product must be properly bonded or grounded to avoid the build up of static electricity when handling flammable products. Static discharge may ignite vapors causing serious injury or death.

Fill-Rite pumps are not suited for use with water or fluids intended for human consumption. Do not use to fuel aircrafts.

To minimize static electricity build up, keep the nozzle in contact with the container being filled at all times during the filling process. Use only static wire conductive hose when pumping flammable liquid.

Improper mechanical installation or use can result in serious injury or death.

**⚠ CAUTION**

Threaded pipe joints and connections must be sealed with the appropriate sealant or sealant tape to prevent leaks.

All Fill-Rite pump models are equipped with thermal overload protection by which the motor will shut off to prevent heat damage. If motor is turned off by a thermal overload, turn the switch lever to the OFF position. Once the motor has cooled sufficiently, turn the switch lever to the ON position to resume fuel transfer.

Some Fill-Rite models will restart automatically if the switch lever is not in the OFF position once the thermal protector resets. As good practice, always place the switch lever in the OFF position when the motor overheats.

**NOTICE**

A filter should be used on the pump outlet to avoid contamination into the vehicle or equipment's fuel tank. We recommend Fill-Rite filters for best results.

To prevent fuel storage tanks from shifting or tipping, refer to tank manufacturer's guidelines on proper anchoring.

**Installation**

Your Fill-Rite pump is designed to be mounted on a fuel tank via a threaded inlet flange supplied with the pump. Typical installations are shown in Diagram 1 and 2. Your pump features an integral bypass valve to recirculate the fluid when the pump is operating with the nozzle closed.

**CAUTION**

Do not use additional check valves or foot valves unless they have a proper pressure relief valve built into them. Please be aware that additional check valves will reduce flow rates.  
 A pressure-retaining fill cap can be used to reduce fuel loss through evaporation.  
 Threaded pipe joints and connections must be sealed with the appropriate sealant to prevent leaks.  
 Use caution to prevent cross-threading during installation which can cause damage to either or both the inlet flange as well as storage tank bung.

**NOTICE**

In all tank applications, be sure the tank is properly secured per tank manufacturer's guidelines.

**Stationary Tank**

For stationary fuel tanks, the pump mounts to the tank bung by way of the pump inlet flange. Given the different sizes of stationary fuel tanks, a custom suction or inlet pipe may be necessary. We recommend 1" NPT black iron pipe that is extended to a length of at least 1-2" from the bottom of the tank, with the bottom of the pipe cut to an angle between 30-45 degrees for improved flow.

A stationary tank must be equipped with a vent cap. (Diagram 1)

**Mobile Tank**

For mobile fuel tanks, the pump mounts to the tank bung by way of the pump inlet flange.

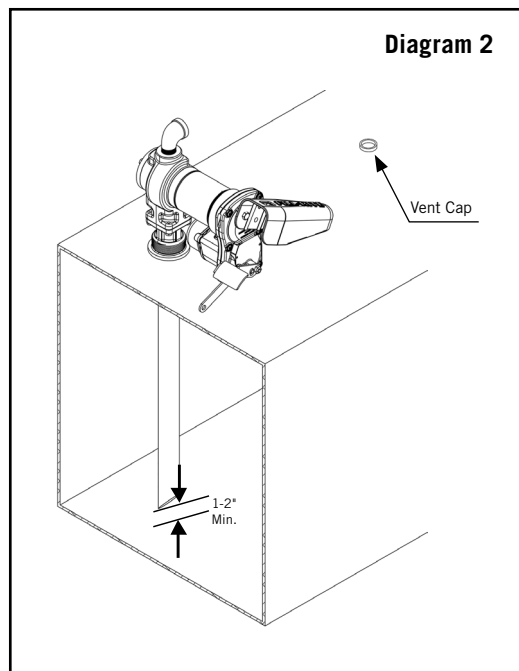
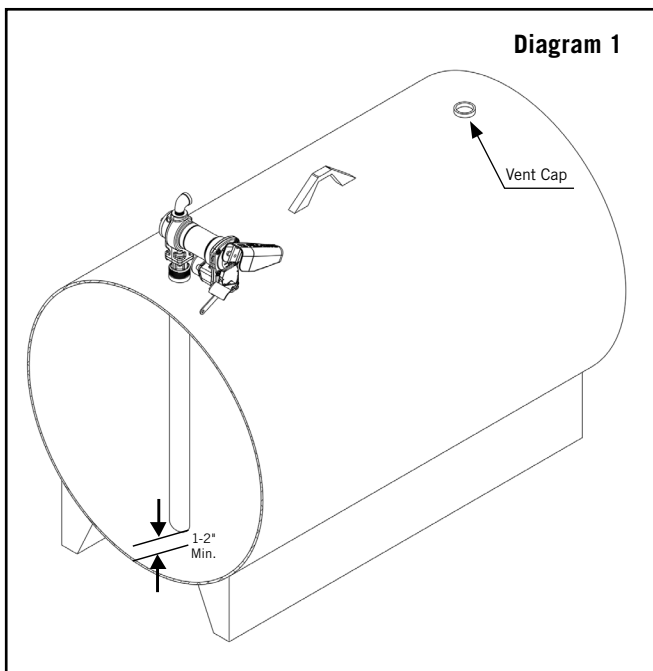
**For Telescoping Steel Suction Pipe**

Allow telescoping tube to extend fully to the bottom of the tank.

**For Custom or PVC Suction Pipe**

To avoid penetrating the tank, we recommend leaving a minimum of 1-2" of the pipe off the bottom of tank. We further recommend cutting the suction pipe to a 30-45 degree angle for improved flow.

The mobile tank must be equipped with a vent cap. (Diagram 2)



**Installation Procedure**

**Step 1: (Optional) Inlet Flange Removal**

Loosen (4) 1/4" bolts using 7/16" wrench or socket. Detach inlet bung from pump, retain bolts, screen, and gasket.

**Step 2:** Using either included suction pipe or custom pipe, thread pipe into inlet bung 1.5 to 2.5 turns past hand tight with pipe wrench. Use appropriate sealant for fuel transfer.

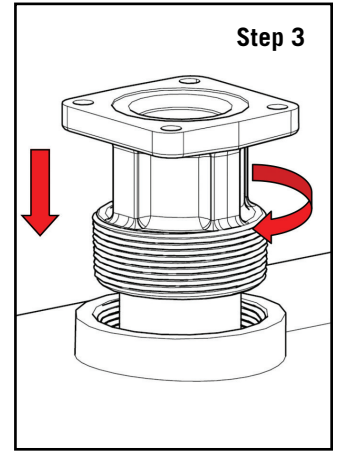
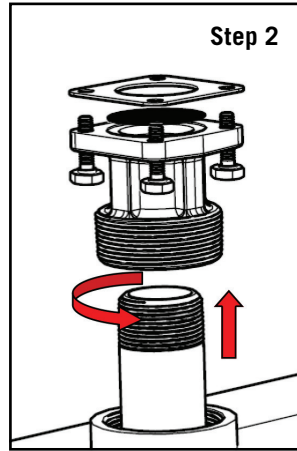
**Step 3:** Thread inlet bung with attached suction pipe onto tank 1.5 to 2.5 turns past hand tight. Use appropriate sealant for fuel transfer.

**Step 4:** (Only if Step 1 utilized) Place screen in screen pocket on the inlet bung, mount gasket, then place pump on tank bung. Align holes and insert (4) 1/4" bolts and tighten with 7/16" wrench to 40 in.-lbs. minimum.

**Step 5:** Remove junction box cover via (2) T-25 screws and locate wires. DC Voltage: 2 wires, Black and Red; AC Voltage: 3 wires, Black, White, and Green which is attached to internal ground screw. Ensure that gasket remains in place upon re-attachment of junction box.

**Step 6:** Feed wires from power source through NPT<sup>†</sup> opening into junction box. For DC models, use the black cable connector\*. For AC models, attach conduit directly to NPT<sup>†</sup> opening.

**Step 7:** Nozzle boot is attached to switch plate via (1) 5/16" bolt torqued to 40 in.-lbs. The nozzle boot has two available position placements.

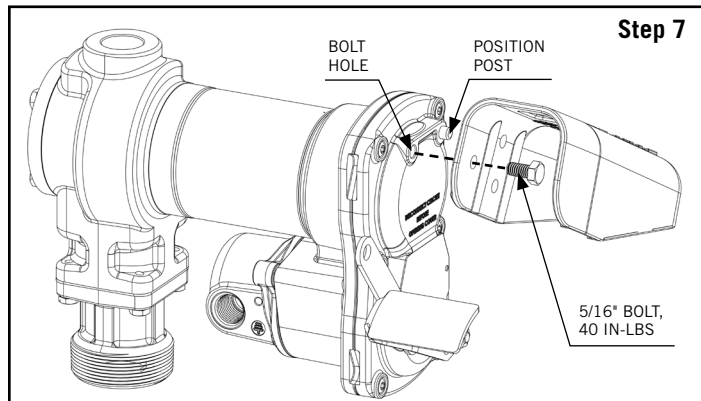
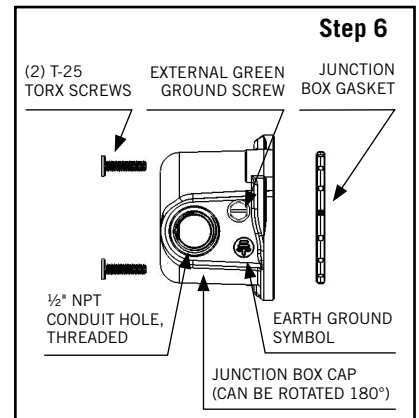
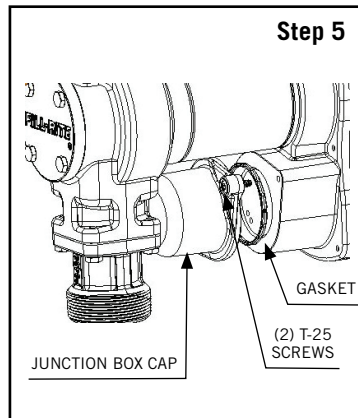
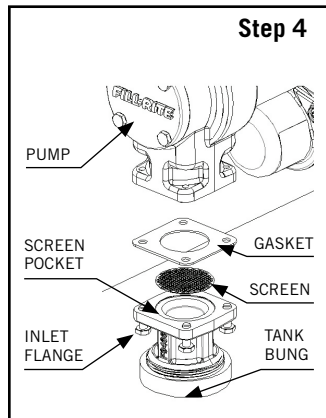


\* Black cable gland only included with DC models

† 1/2" NPT to cable gland, bronze fitting per ATEX on HE Models

**NOTICE**

Maintain a minimum 1-2" separation from pipe end to bottom of tank.



**12V DC and 24V DC Wiring Instructions**

**FR1200 / FR2400 / FR4200 / FR4400 / SD1200 Series DC Transfer Pump**

**⚠ DANGER**

Electrical wiring should be performed **ONLY** by a licensed electrician in compliance with local, state, and national electrical codes (NEC/ANSI/NFPA 30, NFPA 30A, and NFPA 70) as appropriate to the intended use of the pump. Threaded rigid conduit, sealed fittings, and conductor seal should be used where applicable. The pump must be properly grounded. Improper installation or use of this pump can result in serious personal injury or death.

Do not connect the positive or negative power to the green ground/earth screw or ground/earth wire as this could cause a fire.

Do not attempt to power the pump from vehicle wiring smaller than 12 AWG such as the cigarette lighter wire because these thin wires could overheat and cause a fire.

For wiring up to upfitter switches, please contact Fill-Rite Technical Support at 1 (800) 720-5192 (M-F, 8am-5pm ET).

**⚠ CAUTION**

Fill-Rite DC fuel pumps are designed to operate at the rated nameplate voltage. Series FR1200, FR4200, and SD1200 are rated for 12V DC while FR2400 and FR4400 are rated for 24V DC. Regardless of how supply line power is provided (i.e. via a battery or hard line), Fill-Rite requires the circuit contain a fuse to prevent against electrical shorts. For 12V DC, a 30 amp fuse is necessary while for the 24V DC circuit, a 20 amp fuse.

Voltage drop in wiring varies depending on the distance from the battery to the pump and the gauge of the wire used. If the distance is greater than the supplied 18' 12 AWG power cable\*, refer to local, state, and national electrical codes to ensure the wire is of the correct size for this application.

The following chart is to be used as a reference and is not a substitute for electrical codes:

Maximum Linear Distance (FT) of Stranded Copper Wire Length by Gauge				
10	8	6	4	2
27'	44'	69'	110'	175'

*\*12 AWG power cable not supplied with pump only models*

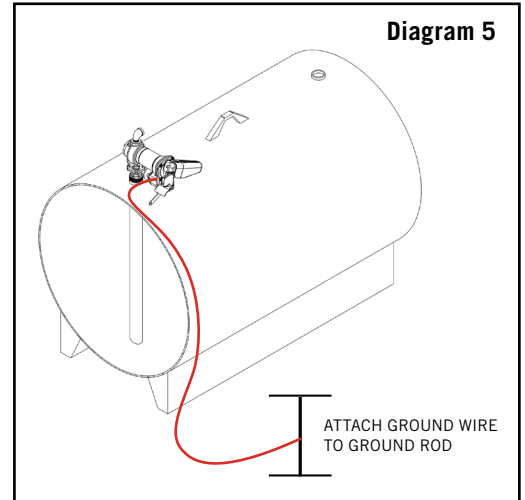
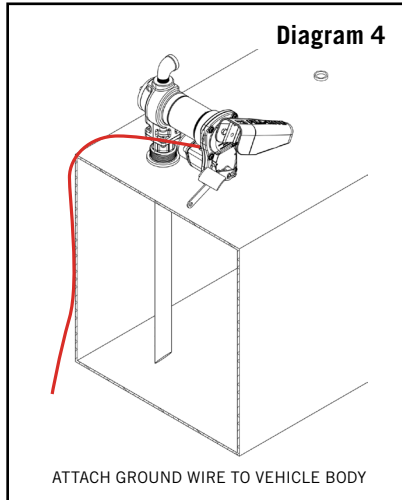
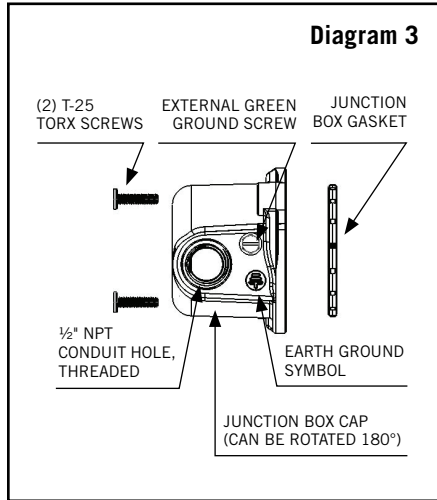
**NOTICE**

Electrical bonding is the process of connecting metallic parts such as a fuel storage tank or transfer pump which may be exposed to electrical faults to a grounding conductor to ensure a low-resistance path to the ground. Bonding also provides a path for static electricity and induced voltages to drain out through the grounding path. The most common way to bond is with a copper wire.

If the intention is to operate either a 12V or 24V DC fuel transfer pump from a power supply other than a vehicle battery system, please contact Fill-Rite Technical Support at 1 (800) 720-5192 (M-F, 8am-5pm ET).

**Instructions Before Proceeding with DC Wiring**

The pump needs to be electrically bonded to a vehicle frame for mobile tanks or a ground rod for stationary tanks. To electrically bond pump for mobile application, remove the external factory installed green bonding screw located on the junction box cover (Diagram 3). Insert this screw through eyelet of furnished green bonding wire assembly and refasten it securely to the junction box. The other end of the wire is to be stripped of insulation and the bare wire securely bonded to the vehicle or on/off road trailer frame for mobile tanks (Diagram 4). For bonding with stationary tanks, attach a ground wire to a ground rod and the tank itself (Diagram 5). The distance may be greater than the supplied grounding wire.



**DC Wiring Instructions**

1. Remove pump's electrical junction box cover and straighten the red and black wire.
2. Screw the furnished cable connector into 1/2" NPT conduit opening on the junction box.
3. Strip 3" of the outer covering from one end of the furnished electrical supply cable.\* Be careful not to damage the black and red wire insulation.
4. Loosen cable connector nut and pass the stripped end of the furnished cable through the cable connector. Tighten the cable connector nut.
5. Strip 1/2" of the insulation from the ends of the red and black cable wires. Using the furnished wire nuts, connect the cable wires to the pump wires matching the colors.  
**IMPORTANT:** Be sure no bare wire is exposed.
6. Fold wires into junction box and replace, making sure the cover gasket is in place. Make sure all screws are seated so there is no space between the frame and the junction box (see Step 6 diagram on **Page 6**).

\*12 AWG cable not supplied with pump only models

**Mobile Tank Wiring to a Vehicle Electrical System**

1. Before electrical installation, place the switch lever into the OFF position to prevent accidental spillage once power is engaged to the motor.
2. Pass the electrical wires to the source of the vehicle power system, supporting as necessary and protecting them from sharp edges, heat, or anything that could cause damage.
3. To determine if the vehicle electrical system is negative (-) or positive (+) ground, check the battery marking of the terminal that is wired to the vehicle frame or motor block. The red wire from the pump will connect to positive battery post and the black wire from the pump will connect to negative battery post. These instructions focus on COMMON negative ground systems. UNCOMMON positive systems are a rare occurrence. Reference the drawing on **Page 9** for information on positive ground systems.
4. Fill-Rite requires installing a fuse holder and fuse (not provided) for protection of the purchased pump. Attach one end of the fuse holder to the end of the ungrounded wire, making a solid connection. The other end of the fuse holder is then attached to the ungrounded side of the battery, as close to the battery as possible. Make a solid electrical connection to the grounded side of the battery with the remaining wire. Utilizing a battery terminal connection (not provided by Fill-Rite) is required for completion of the electrical circuit.
5. Check all connections to make sure they are connected per instructions and all electrical codes. Install fuse (30 amp fuse for 12V DC; 20 amp fuse for 24V DC) into the fuse holder. Installation is now complete.



**Mobile Tank Wiring to a Non-Vehicle System**

While rare, there are instances where a 12V or 24V DC Fill-Rite fuel pump does not operate from a vehicle’s electrical system. In these cases, we recommend calling Fill-Rite Technical Support at 1 (800) 720-5192 (M-F, 8am-5pm ET) to discuss your specific situation. Most of these applications will require equipment not supplied by Fill-Rite. In addition, we want to ensure that the circuit will be able to handle the necessary power requirements of the pump.

**Stationary Tank Wiring**

1. Before electrical installation, place the switch lever into the OFF position to prevent accidental spillage once power is engaged to the motor.
2. Fill-Rite requires installing a fuse holder and fuse (not provided) for the protection of the purchased pump.
3. Attach one end of the fuse holder to the red pump wire, as close to the battery or power source as possible. Make a solid connection to the positive terminal of the power source with the other end of the fuse holder. Make a solid connection with the black pump wire to the negative terminal of the power source.
4. Check all connections to make sure they are connected per instructions and all electric codes.
5. Install fuse (30 amp fuse for 12V DC; 20 amp fuse for 24V DC) into the fuse holder.
6. The installation is now complete.

**Negative Ground System (Common)**

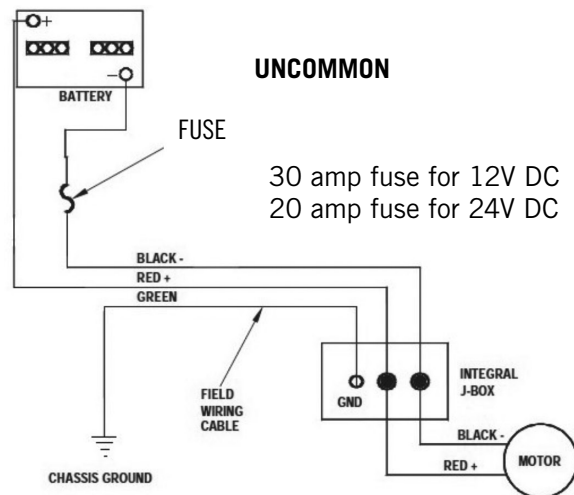
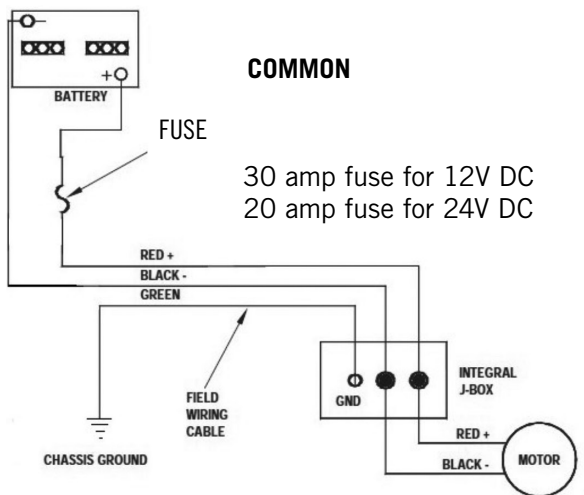
This electrical system is common within most vehicles utilizing a 12V DC power source. In this instance, the positive battery terminal supplies power to all devices such as the ignition system. The negative (-) terminal is connected to the vehicle’s frame.

Fuse to be located outside of hazardous area, as close to the power source as possible. If the wiring from the power source to the pump is greater than 18’, refer to the applicable Electrical Code (national, international, or local) to ensure the wire is of the correct size for the application.

**Positive Ground System (Uncommon)**

This electrical system is uncommon within most vehicles utilizing a 12V DC power source. The chassis of the vehicle is connected to the positive (+) terminal of the battery.

Fuse to be located outside of hazardous area, as close to the power source as possible. If the wiring from the power source to the pump is greater than 18’, refer to the applicable Electrical Code (national, international, or local) to ensure the wire is of the correct size for the application.



**115V AC Wiring Instructions for FR600 / SD600 AC Fuel Transfer Pumps**

**⚠ DANGER**

- All pumps will operate at the rated nameplate voltage.
- AC power should be supplied to the pump from a dedicated circuit with a 15 amp circuit protection. No other equipment should be powered by this circuit.
- Wiring must be of sufficient size to carry the correct current for the pump.
- Voltage drop will vary with distance to pump and size of wire; refer to the National Electrical Code (NEC) or local codes for voltage drop compensation to be sure you are using the correct size wire for your application. Undersized wires can overheat and cause a fire.
- Ensure proper grounding to avoid electrocution.
- Each Fill-Rite motor is labeled as explosion-proof for hazardous locations Class I / Division 1. It is highly recommended that any repairs be done by an authorized distributor to avoid voiding the warranty. It is very important to maintain the explosion-proof integrity of the motor and system components.
- Electrical wiring should be performed **ONLY** by a licensed electrician in compliance with local, state, and national electrical codes (NEC/ANSI/NFPA 70, NFPA30, and NFPA 30A) as appropriate to the intended use of the pump. The pump must be properly grounded. Improper installation or use of this pump can result in serious bodily injury or death.

**⚠ WARNING**

- Ground wire in supply wiring **MUST** be connected to the ground screw inside the junction box.

**⚠ CAUTION**

Voltage drop in wiring varies depending on the distance from the electrical source to the pump and the gauge of the wire used. Fill-Rite recommends referring to national, international, or local electrical codes to ensure the wire is of the correct size for your application. The following chart is to be used as a reference and is not a substitute to electrical codes.

Maximum Linear Distance (FT) of Solid and Stranded Copper Wire Length by Gauge								
	AWG	16	14	12	10	8	6	4
Wire	Solid	39	62	99	158	250		
	Stranded	38	61	96	154	245	389	620

**115V AC Wiring Procedure**

1. Remove the junction box cover and straighten the wires to make sure the stripped wire ends are accessible outside the junction box.
2. Install rigid conduit and appropriate wiring from power source to the junction box to maintain the explosion-proof integrity.
3. Connect the pump wires to the power supply lines according to the wiring diagram. Be certain to properly insulate the connections with the appropriate wire nuts or other connectors. **NOTE:** The ground wire **MUST** be connected. Ground wire connection is inside the junction box (Diagram 6b).
4. Fold the wires back into the junction box and replace the cover, making sure the cover gasket is in place.

**115V AC Pump Junction Box (FR/SD600 Series AC Fuel Transfer Pumps)**

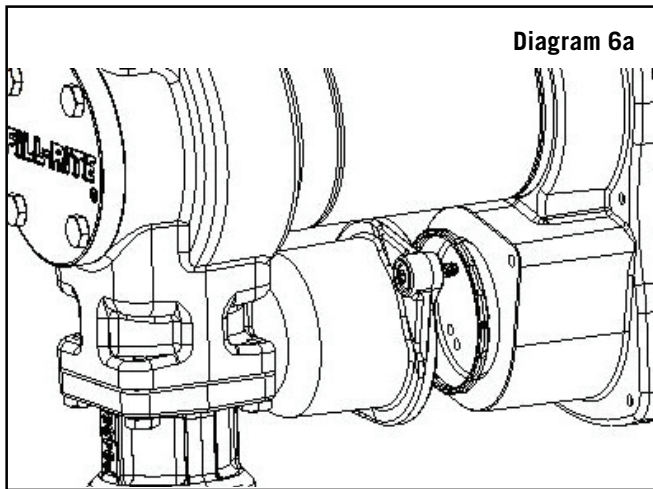


Diagram 6a

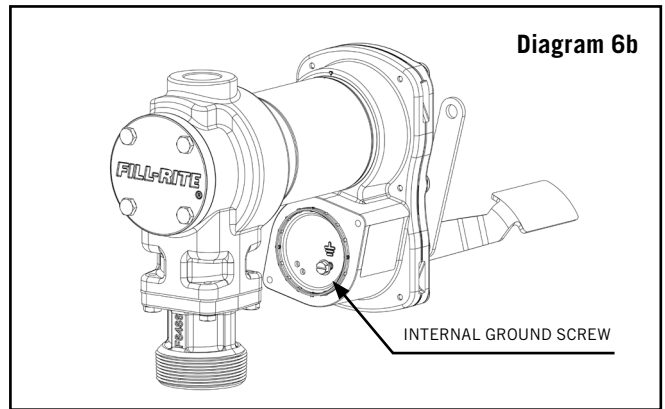
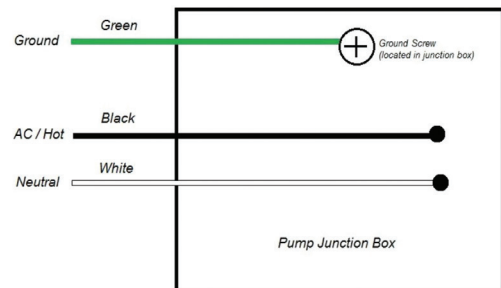


Diagram 6b

**115V AC Wiring Diagram**

115 VAC Wiring Diagram



115V AC Wiring Diagram for FR/SD600 AC Fuel Transfer Pumps.

A ground wire must be included within the supply line power cable. This wire must be connected to the ground screw terminal on the inside of the junction box surface.

**Switch Level Installation Instructions**

Effective March 7, 2022, the fuel transfer pump on/off switch lever will need to be installed in the field. Please see Figure 1 for a visual guide on the proper installation of this lever.

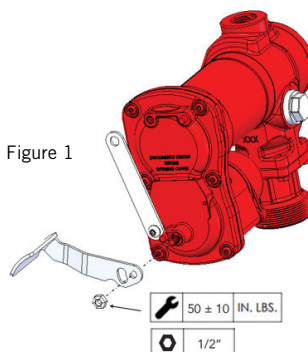


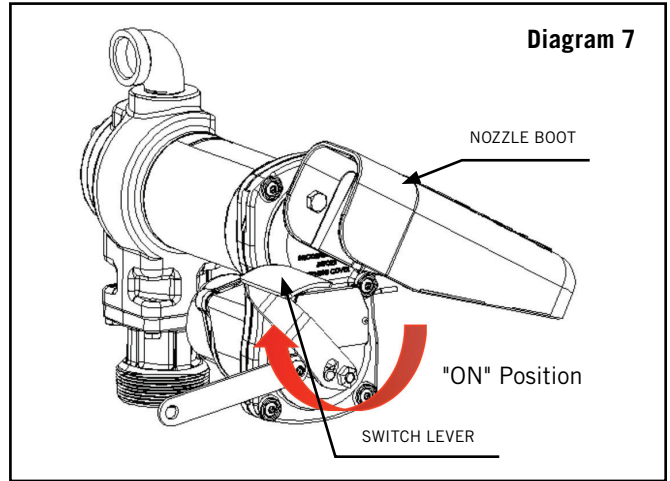
Figure 1

**Operation Instructions**

**⚠ DANGER**

Always keep the nozzle in contact with the container being filled during the filling process to minimize the possibility of static electricity build up. A spark around flammable vapors will cause an explosion resulting in death or serious injury.

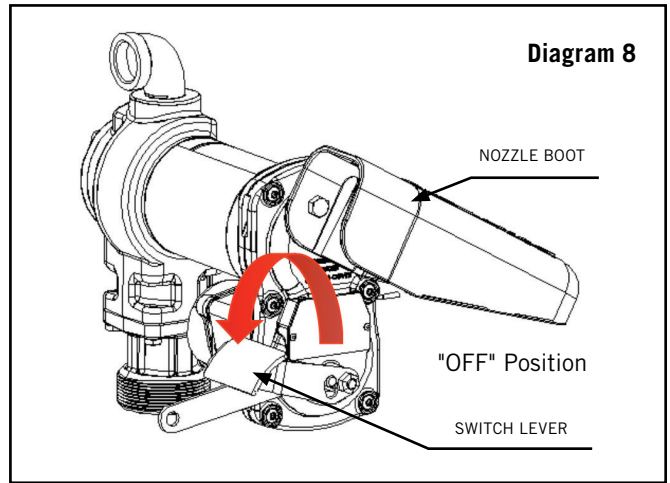
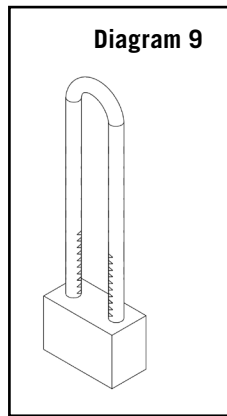
1. If equipped, reset meter to "0" (do not reset while in use as this will cause damage to the meter).
2. Remove dispensing nozzle from nozzle boot.
3. Move the switch lever to the "ON" position to power the pump (Diagram 7).
4. Insert the dispensing nozzle into the container to be filled.
5. Operate the nozzle to dispense fluid; release nozzle when the desired amount of fluid has been dispensed.
6. Move switch lever to the "OFF" position (Diagram 8) to turn off the pump.
7. Remove the dispensing nozzle from the container being filled and store it in the nozzle boot.



**Security**

Your Fill-Rite fuel transfer pump is equipped with a locking link located next to the switch lever for security. With the pump turned off and the nozzle in the stored position, a padlock can be inserted through the locking link and the nozzle handle.

Fill-Rite recommends a commercial grade laminated steel padlock with an adjustable shackle (Diagram 9).



**Troubleshooting**

The following troubleshooting guide is provided to offer basic diagnostic assistance in the event you encounter abnormal service from your Fill-Rite fuel transfer pump. If you have questions, please feel free to contact Fill-Rite Technical Support at 1 (800) 720-5192 (M-F, 8am-5pm ET) or by email at [FillRiteTech@fillrite.com](mailto:FillRiteTech@fillrite.com).

**⚠ DANGER**

Please disconnect all power supply sources from either your AC or DC pump prior to performing any service or maintenance, as well as relieve any pressure within either the suction tube or discharge hose. Failure to do so can result in damage to the equipment and personal injury or death.

**Troubleshooting** *(continued)*

Symptom	Cause	Cure
Pump will not prime	Suction line problem	Check for leaks or restrictions in suction line
	Bypass valve open	Remove and inspect valve; must move freely and be free of debris
	Vanes sticking	Check vanes and rotor slots for nicks, burrs, and wear
	Excessive rotor or vane wear	Inspect rotor and vanes for excessive wear or damage; replace if necessary
	Automatic nozzle	Remove to prime pump
	System blockages	Check filter and bypass valve for debris; remove nozzle and test flow with pump ON
Low capacity	Excessive dirt in screen	Remove and clean screen
	Suction line problems	Check for leaks or restrictions in suction line
	Bypass valve sticking	Remove and inspect valve; must move freely and be free of debris
	Outlet blocked	Check pump outlet hose, nozzle, and filter for blockage
	Vanes sticking	Check vanes and rotor slots for wear; replace if necessary
	Excessive rotor or vane wear	Inspect rotor and vanes for excessive wear or damage; replace if necessary
	Hose or nozzle damage	Replace hose or nozzle (Fill-Rite recommends UL-rated hoses and nozzles)
	Plugged filter	Replace filter
Low fluid level	Fill tank	
Pump runs slowly	Incorrect voltage	Check incoming supply line voltage
	Vanes sticking	Inspect vanes and rotor slots for nicks, burrs, and wear
	Wiring problem	Check for loose connections
	Motor problem	Contact Fill-Rite Technical Support at 1 (800) 720-5192 (M-F, 8am-5pm ET)
Motor stalls, fuse blows, thermal protector trips repeatedly	Bypass valve sticking	Remove and inspect valve; must move freely and be free of debris
	Low voltage	Check incoming supply line voltage
	Excessive rotor or vane wear	Check rotor and vanes for excessive wear or damage
	Debris in pump cavity	Clean debris from pump cavity
Motor overheats	Transferring high viscosity fluids	These fluids can only be pumped for short periods of time (less than 30 minute duty cycle)
	Clogged screen	Remove inlet and clean screen
	Restricted suction pipe	Remove and clean pipe
	Motor failure	Contact Fill-Rite Technical Support at 1 (800) 720-5192 (M-F, 8am-5pm ET)
	Pump rotor lock-up	Clean and check pump rotor and vanes
Motor inoperable	No power	Check incoming supply line power
	Wiring issue	Use multimeter to isolate issue with supply line power
	Motor failure	Contact Fill-Rite Technical Support at 1 (800) 720-5192 (M-F, 8am-5pm ET)
	Locked rotor	Clean and check pump rotor; repair as needed with KIT120RG
	Incorrect/loose wiring	Verify correct wire size with local, state, and national electric codes
Fluid leakage	Bad O-ring gasket	Check and replace all O-ring gaskets (Rotor Cover / Inlet Flange / Bypass Cap)
	Dirty/bad shaft seal	Replace shaft seal with KIT120SL
	Incompatible fluid	Refer wetted parts list on <b>Page 14</b> to the fluid manufacturer
	Loose fasteners	Tighten fasteners
Pump hums but will not operate	Motor failure	Contact Fill-Rite Technical Support at 1 (800) 720-5192 (M-F, 8am-5pm ET)
	Broken rotor key	Remove all debris and replace key

### Specifications and Models

A series of fuel transfer pumps with UL/cUL, ATEX, IECEx, CE, EAC, and INMETRO certifications that are compatible with gasoline, diesel fuel, blended fuels such as biodiesel up to 20%, gasoline with up to 15% ethanol, mineral spirits, and kerosene.

Product Parts	Product Materials
Pump Housing	Cast Iron
Rotor	Powdered Iron
Vane	Sintered Bronze
Strainer Mesh	Stainless Steel
Wetted Components	Buna-N, Fluorocarbon, Ceramic, Cork, Thermoset, Steel, Stainless Steel

Description		FR1200	FR4200	SD1200	FR4400	FR2400	FR600	SD600	
<b>Motor</b>	Voltage, Supply (DC/AC)	12V DC			24V DC		115V AC / 60HZ		
	Power (HP)	1/4 <sup>TH</sup>						1/6 <sup>TH</sup>	
	Amps (Full Load)	26	28	26	18	15	2.5		
	Amps (Rated)	20	19	20	13	10	2.0		
	RPM	2600 RPM						2000 RPM	
	Power Cord*	Length	18'		15'	18'		Not Included	
		AWG	12						
	Duty Cycle	30 Minutes (on), then 30 Minutes (off)							
	Thermal Protection (motor)	Yes							
	Required Circuit Protection	30 AMP			20 AMP		15 AMP		

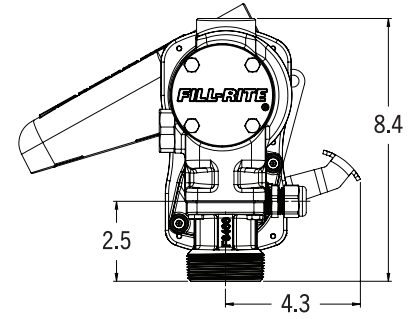
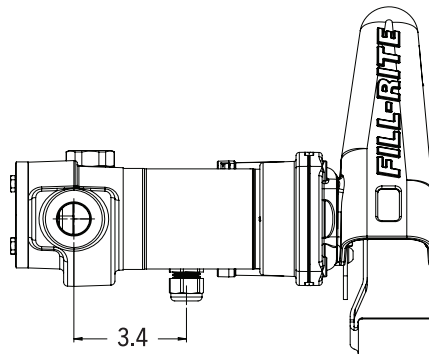
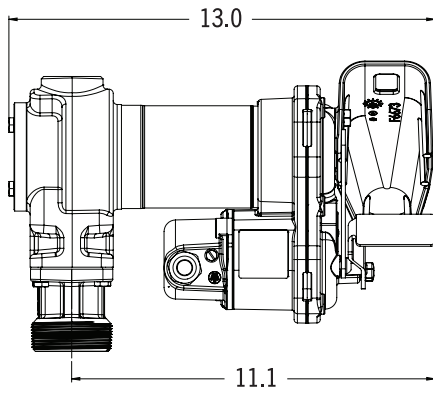
\* Power cord not included in pump only models

Description		FR1200	FR4200	SD1200	FR4400	FR2400	FR600	SD600		
<b>Pump</b>	Maximum GPM	15	20	13	20	15	13			
	Bypass Pressure	16 PSI								
	Minimum Dry Vac	5 IN-HG								
	At Sea Level 70° F (21.1° C)	Suction Lift	8' Maximum							
		Outlet Head	37' Maximum							
	Inlet	1" NPT								
	Outlet	3/4" NPT*	1" NPT*	3/4" NPT*	1" NPT*	3/4" NPT*				
	Mount	H Models: 2" NPT Bung Adapter with 1" NPT Inlet HE Pump Only Models: 2" BSPT Bung Adapter with 1" BSPP Inlet								
	Warranty	Limited Lifetime Warranty <sup>†</sup>			1 Year	Limited Lifetime Warranty <sup>†</sup>		1 Year		

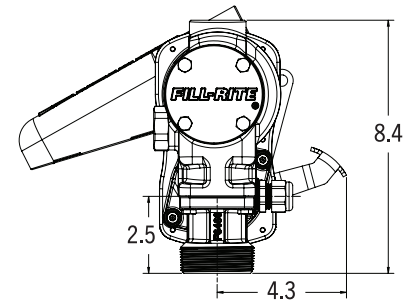
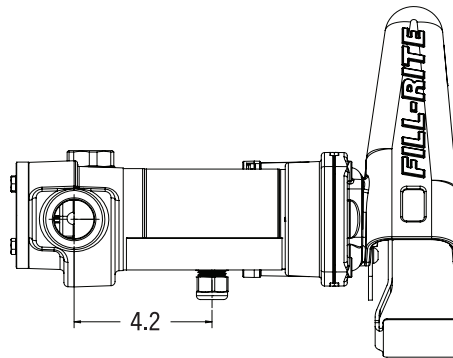
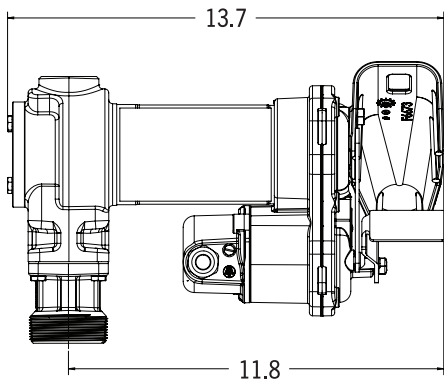
<sup>†</sup> Warranty details can be found at [fillrite.com](http://fillrite.com)

\* HE pump only models have BSPP outlets

**FR1200, FR2400, FR4400, FR600, SD1200, and SD600** (Dimensions displayed in inches)



**FR4200** (Dimensions displayed in inches)



**H-Series Model Information: FR1200, FR2400, FR4200, FR4400, FR600, SD1200, SD600**

Model Number	Nozzle	Hose	Meter	Inlet Tube	Power Cord	Special	Voltage	Outlet		
FR1204H	Pump Only Model						12V DC	3/4"		
FR1210H	Manual	12'		Metal Telescoping 20" - 34 1/2"	12 AWG at 18'					
FR1210HA	Auto Gasoline	12'								
FR1210HA1	Auto Diesel	12'								
FR1210HARC	Auto Arctic	15'				Swivel				
FR1210HN										
FR1211H	Manual	12'	807C							
FR1211HL	Manual	12'	807CL							
FR1211HLN			807CL							
FR1211HN			807C							
FR1219H	Manual	12'	TT10AN							
FR1220HDSQ	Auto Diesel	18'				Swivel				
FR1220HDSFQ	Auto Diesel	18'				Swivel Filter				
FR2404H	Pump Only Model								24V DC	
FR2410H	Manual	12'				Metal Telescoping 20" - 34 1/2"	12 AWG at 18'			
FR2411H	Manual	12'	807C							
FR2411HL	Manual	12'	807CL							
FR4204H	Pump Only Model							12V DC	1"	
FR4210H	Manual	12'		Metal Telescoping 20" - 34 1/2"	12 AWG at 18'					
FR4210HARC	Auto Arctic	20'				Swivel				
FR4210HB	Ultra Hi-Flow	12'								
FR4210HD	Auto Diesel	12'								
FR4210HDS	Auto Diesel	12'				Swivel				
FR4210HBFQ	Ultra Hi-Flow	18'				10 AWG at 25' with clamps	Filter			
FR4210HN										
FR4211H	Manual	12'	901C			12 AWG at 18'				
FR4211HL	Manual	12'	901CL							
FR4211HLN			901CL							
FR4211HN			901C							
FR4219H	Manual	12'	TT10AN							
FR4220HDSQ	Auto Diesel	18'					Swivel			
FR4220HDSFQ	Auto Diesel	18'				Swivel Filter				



**H-Series Model Information: FR1200, FR2400, FR4200, FR4400, FR600, SD1200, SD600 (continued)**

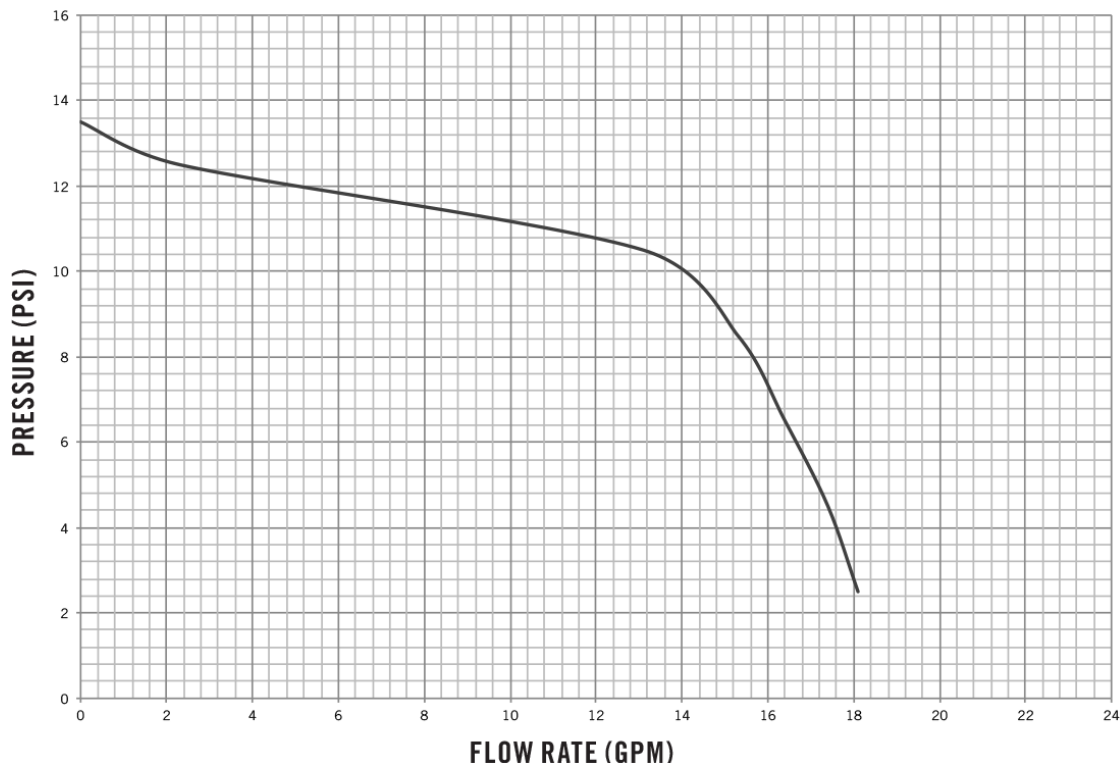
Model Number	Nozzle	Hose	Meter	Inlet Tube	Power Cord	Special	Voltage	Outlet
FR4406H	Pump Only Model						24V DC	1"
FR4410H	Manual	12'		Metal Telescoping 20" - 34 1/2"	12 AWG at 18'			
FR604H	Pump Only Model						115V AC	3/4"
FR610H	Manual	12' UL		Metal Telescoping 20" - 34 1/2"				
FR610HA	Auto Gasoline	12' UL						
SD1202H	Manual	10'		PVC, 15 1/4" - 29 1/4"	12 AWG at 15'	12V DC		
SD1202HA	Auto Gasoline	10'			12 AWG at 15'			
SD602H	Manual	12' UL		PVC, 15 1/4" - 43 1/4"		115V AC		

**HE-Series Model Information: FR1200E, FR2400E, FR4200E, FR4400E**

Model Number	Nozzle	Hose	Meter	Inlet Tube	Power Cord	Voltage	Outlet	
FR1205HE	Pump Only Model						12V DC	3/4"
FR1210HE	Manual	12'		Metal Telescoping 20" - 34 1/2"	12 AWG at 18'			
FR1210HEA	Auto Gasoline	12'						
FR1211HEL	Manual	12'	807CL					
FR1211HELA	Auto Gasoline	12'	807CL					
FR2405HE	Pump Only Model						24V DC	3/4"
FR2410HE	Manual	12'		Metal Telescoping 20" - 34 1/2"	12 AWG at 18'			
FR2410HEA	Auto Gasoline	12'						
FR2411HEL	Manual	12'	807CL					
FR2411HELA	Auto Gasoline	12'	807CL					
FR4205HE	Pump Only Model						12V DC	1"
FR4210HE	Manual	12'		Metal Telescoping 20" - 34 1/2"	12 AWG at 18'			
FR4210HEB	Ultra Hi-Flow	12'						
FR4210HEBL	Ultra Hi-Flow	12'	901CL					
FR4211HEL	Manual	12'	901CL					
FR4405HE	Pump Only Model						24V AC	

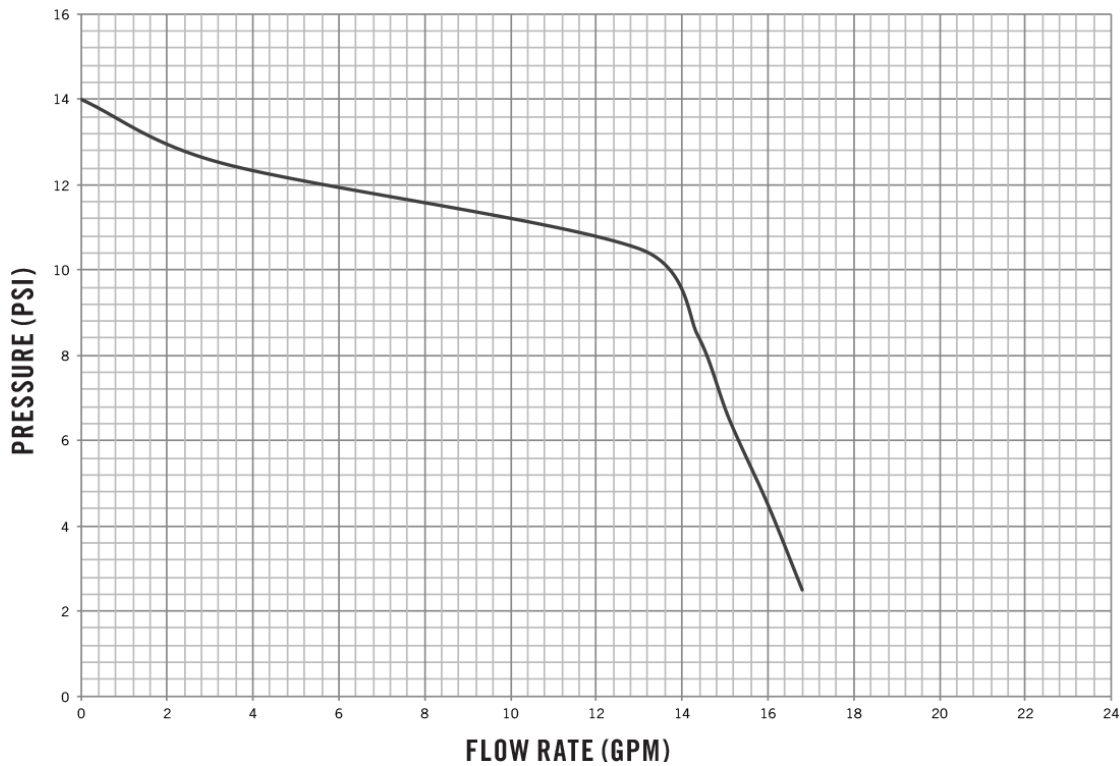
**1200 Series Performance Curve**

---



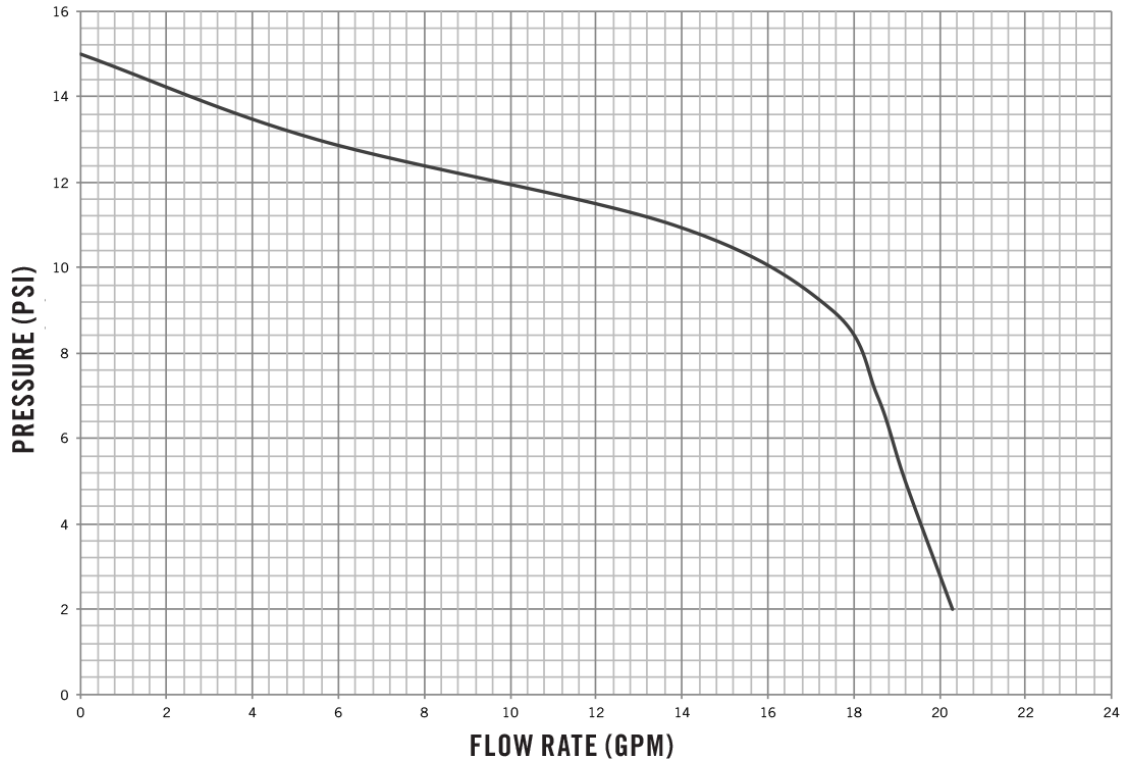
**2400 Series Performance Curve**

---



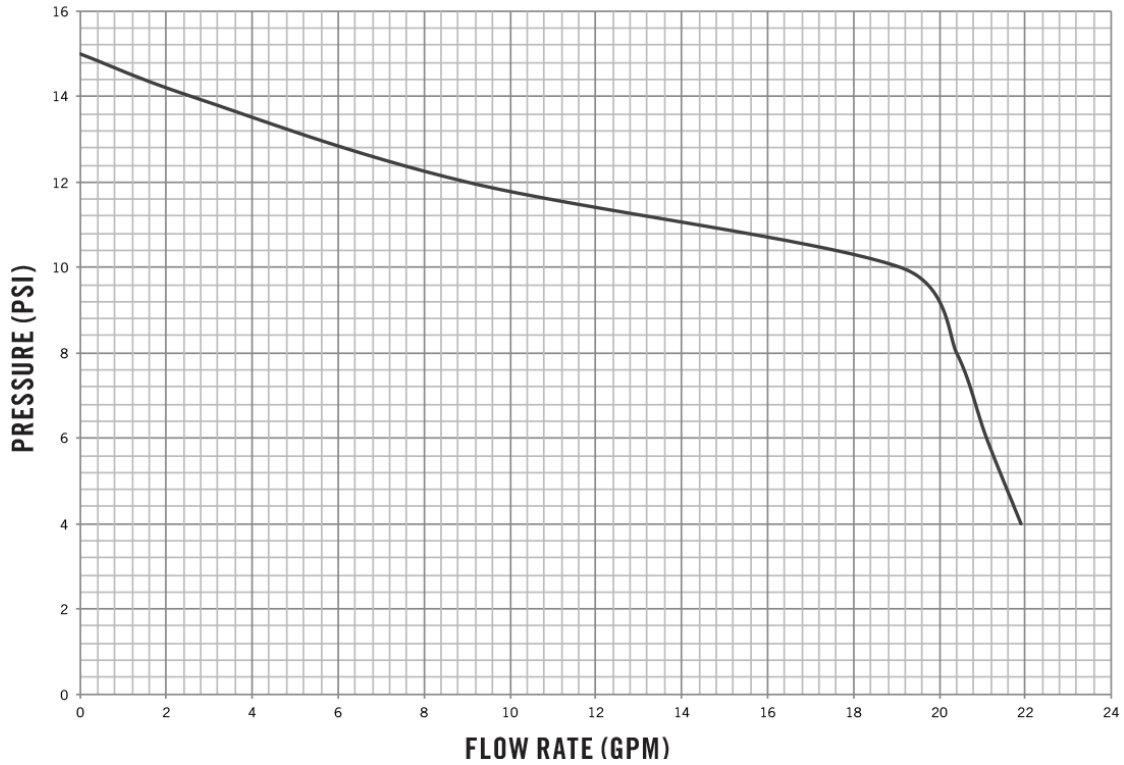
**4200 Series Performance Curve**

---

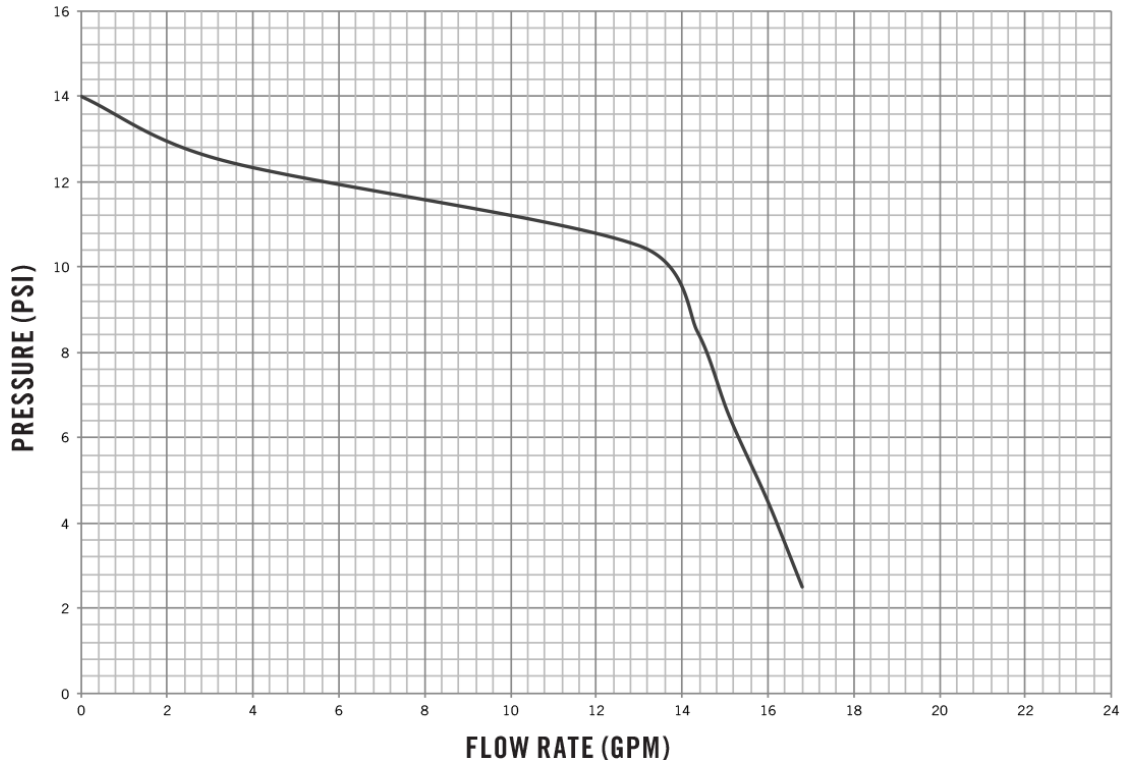


**4400 Series Performance Curve**

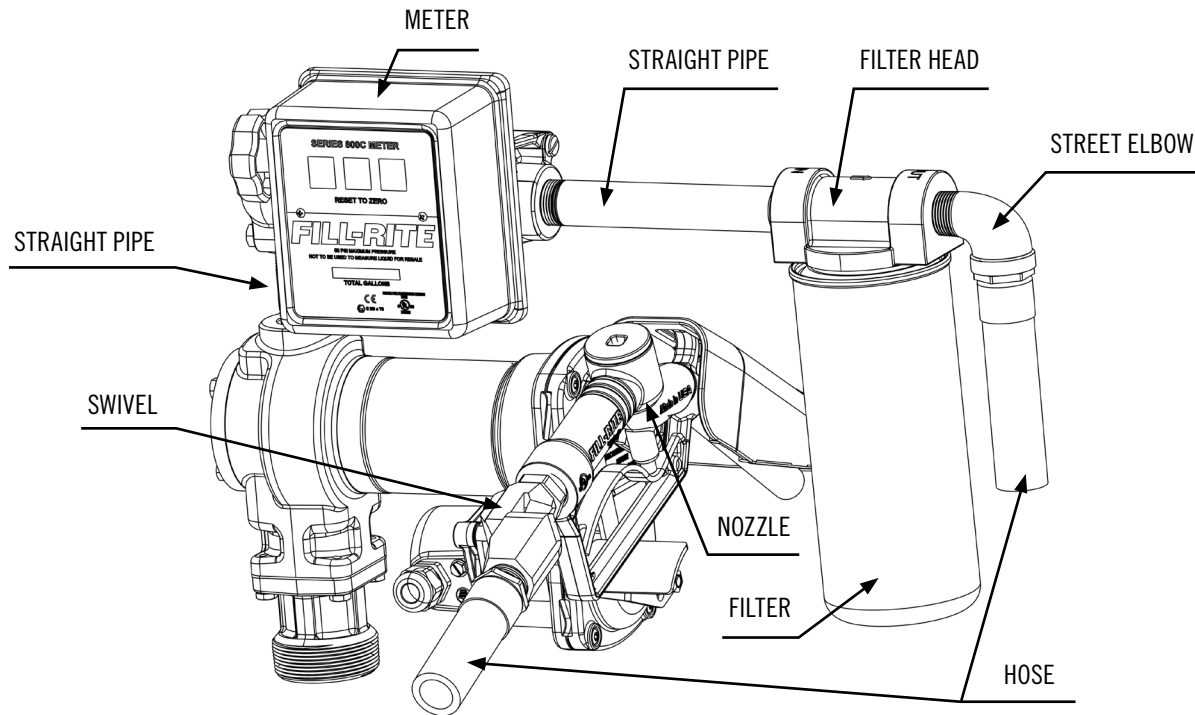
---



**600 Series Performance Curve**



**Accessories**

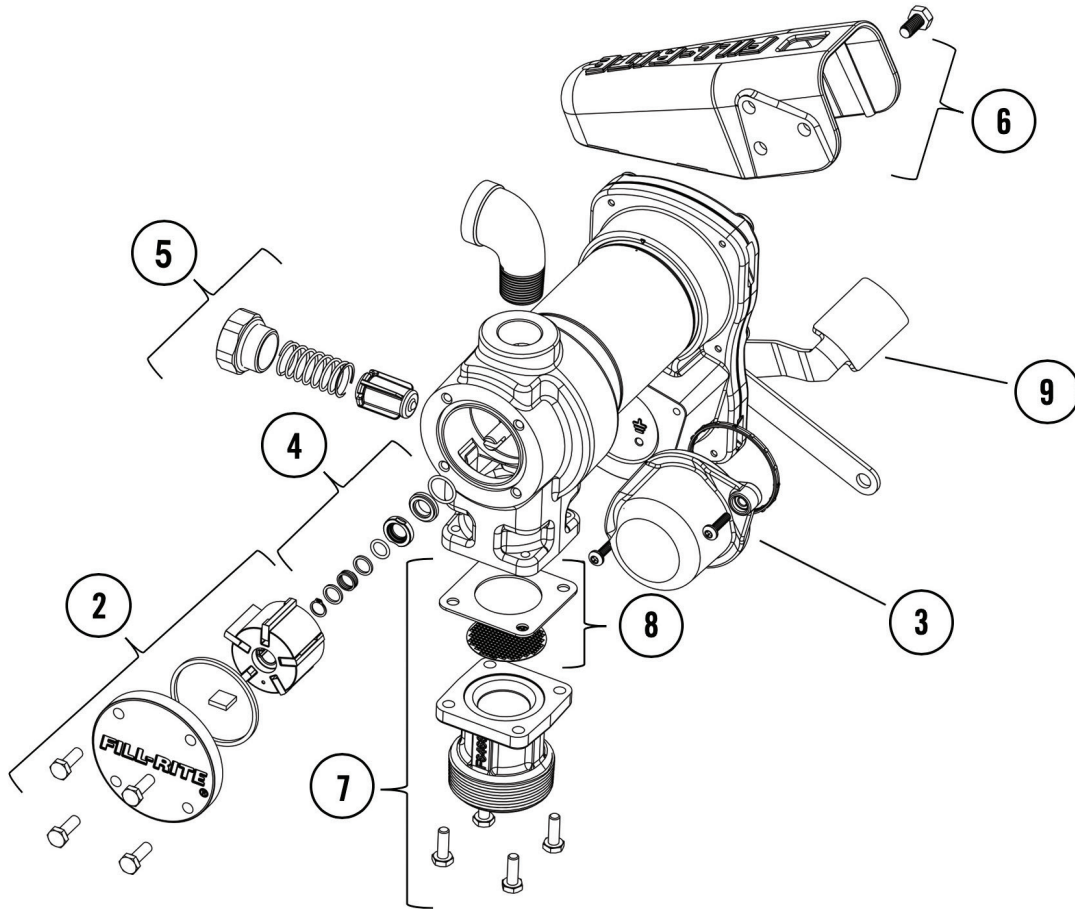


Proper Accessory Configuration

**Accessories** (continued)

Accessory	Series		Outlet Size		Notes
			3/4"	1"	
Nozzle	Manual		FRHMAN075S	FRHMN1005	Gasoline/Diesel
	Automatic	Hi-Flow	N075UUAU10	N100DAU12	Red Boot
			N075DAU10	N100DAU12G	Green Boot
		Arctic	FRNA075DAU10	FRNA100DAU00	Cold Weather (-40°F/°C)
		Ultra Hi-Flow			N100DAU13
				N100DAU13G	Green Boot
			N100DAU13Y	Yellow Boot	
Hose	12', UL Rated		700F3135	300F7773	Gasoline, Diesel, Kerosene, and Petroleum Oils compatible
	12'		FRH07512	FRH10012	
	14'		FRH07514	FRH10014	
	20'		FRH07520	FRH10020	
Meter	Mechanical	800	807CMK		Gallons
			807CLMK		Liters
		900		901CMK4200	Gallons
				901CLMK4200	Liters
	Digital	900		900CD	Programmable
				900CDP	Programmable with Integral Pulsar
		TT		TT10AB	BSPP, Aluminum
				TT10ABC	BSPP, Nickel-Plated
			TT10AN	NPT, Aluminum	
			TT10ANC	NPT, Nickel-Plated	
Swivel	Multi-Plane		S075H1314	S100H1315	360° Rotation
Filter	Heads		1200KTG9075 (F18 Filters)	700ACCF7017 (F40 Filters)	Gasoline/Diesel compatible
	Particulate		F1810PMO (10 Micron/18GPM)	F4010PMO (10 Micron/40GPM)	
				F4030PMO (30 Micron/40GPM)	
	Hydrosorb		F1810HMO (10 Micron/18GPM)		

**Pump Service Kits**



#	Kit	Description	Parts
1	KIT120BD*	BioDiesel Kit	O-ring, inlet and bypass cap seals, bypass valve poppet
2	KIT120RGG	Rotor and Vane Kit	Rotor cover, rotor, vanes, rotor key, O-ring seal, attaching hardware
3	KIT120JCH	Junction Cover Kit	Junction cover, seal, fasteners
4	KIT120SL	Seal Kit	O-ring, shaft seals, retainer clip
5	KIT120BV	Bypass Service Kit	Bypass valve, valve spring, bypass cap, O-ring seal
6	KIT120NB	Nozzle Boot Kit	Nozzle boot, attaching hardware
7	KIT120BG	Inlet Flange Kit	Inlet flange (bung), attaching hardware, inlet seal, screen
8	KIT120SG	Inlet Gasket and Screen	Gasket for inlet (bung) and screen
9	KIT120SWH	Switch Lever Kit	Switch lever, mounting hardware

\*KIT120BD not called out in diagram above

## Safety Testing Approvals

The Fill-Rite line of pumps have been safety tested for regulatory compliance. This product family is approved by UL/cUL. For the “E” series products they are approved to ATEX, IECEx, INMETRO, EAC, and CE.



The following standards were used to show compliance in the European Union:

EN IEC 60079-0:2018, Ed 7 “Explosive atmospheres – Part 0: Equipment – General requirements”

EN 60079-1:2014, Ed 7 “Explosive atmospheres – Part 1: Equipment protection by flameproof enclosures “d””

EN ISO 80079-36:2016, Ed 1 “Explosive atmospheres – Part 36: Non-electrical equipment for explosive atmospheres – Basic method and requirements”

EN ISO 80079-37:2016, Ed 1 “Explosive atmospheres – Part 37: Non-electrical equipment for explosive atmospheres – Non electrical type of protection constructional safety “c”, control of ignition source “b”, liquid immersion “k””

Directive 2014/34/EU – Equipment and protective systems intended for use in potentially explosive atmospheres.

Directive 2011/65/EU – Restrictions of the use of certain hazardous substances in electrical and electronic equipment.

The following standards were used to show compliance for IECEx certification:

IEC 60079-0:2017, Ed 7  
IEC 60079-1:2014, Ed 7

### Motor Tag Information

The Motor Tag on your Fill-Rite pump contains important technical and performance information. Be certain this label remains affixed to the pump at all times.



II 2 G  
Ex db h IIA T5 or T6 Gb  
FM19ATEX0019X  
IECEX FMG19.0013X  
Ex db IIA T5 or T6 Gb

### Installation

Pump must be installed in compliance with EN 60079-14 or IEC 60079-14, as applicable.

### Material of Construction

Materials of construction of the external surface of the unit: painted steel, painted cast iron, painted aluminum, zinc plated steel.

Materials of construction of the wetted parts: cast iron, zinc plated steel, 300 series stainless steel, bronze, carbon, ceramic, polyester, fiber, fluorocarbon, buna.

### Repair and Maintenance

Contact the place of purchase for warranty repair and maintenance.

### Specific Conditions of Use

1. Consult the manufacturer if dimensional information on the flameproof joints is necessary.
2. ISO Class 4.6, M5 hex-head screws (Yield Stress 240 MPa) shall be used to replace the DC Motor terminal cover fasteners.
3. ISO Class 8.8, M6 hex-head screws (Yield Stress 640 MPa) shall be used to replace the DC Motor motor tie-rod fasteners.
4. An electrically conductive hose and nozzle must be used with flammable liquids. To minimize static electricity buildup, always keep the nozzle in contact with the container being filled during the fueling process.

## Motor Tag Information

The motor tag on your Fill-Rite pump contains important technical and performance information. Be certain this label remains affixed to the pump at all times.

<b>FILL-RITE</b>		MADE IN U.S.A. LB002540-009	
STYLE FM12001	Segurança		
EXPLOSION PROOF MOTOR	IEC	INMETRO	IEEx10.0005X Ex db IIA T6 Gb
12 VOLTS DC	20 MIN. DUTY	IECEX FMG19.0013X	EAC
55°C RISE	30 MIN. DUTY	Ex db IIA T6 Gb	
1/4 HP	2600 RPM		
ENTRY THREADS ARE M20X 1.5 6H		CE	
CAUTION – MOTOR HAS AUTOMATIC RESET THERMAL PROTECTOR		2809 FM19ATEX0019X	

# FILL-RITE

A GORMAN-RUPP COMPANY

Fill-Rite Company  
8825 Aviation Drive  
Fort Wayne, Indiana 46809 USA

T 1 (800) 720-5192  
1 (260) 747-7524  
F 1 (800) 866-4681



fillrite.com | soter.com | gormanrupp.com

# FILL-RITE®

## POMPES DE TRANSFERT DE CARBURANT SÉRIE H

FR1200, FR2400, FR4200, FR4400, FR600, SD1200, SD600

Manuel d'installation et d'utilisation



MADE IN  
**USA**   
WITH GLOBAL MATERIALS

**GR**  
GORMAN-RUPP  
COMPANY



**Table des matières**

Garantie limitée..... 2

À propos de ce manuel..... 3

Symboles et définitions..... 3

Avant de commencer ..... 3

Information sur la sécurité ..... 4

Installation..... 5

Instruction de câblage 12 Vcc et 24 Vcc..... 7

Instruction de câblage 115 Vca.....10

Mode d'emploi .....12

Sécurité.....12

Dépannage .....12

Caractéristiques et modèles .....14

Courbes caractéristiques.....17

Accessoires .....19

Trousses d'entretien de pompe .....21

Certifications .....22

Étiquette du moteur.....22

**Merci!**

Merci pour votre loyauté envers la marque de pompes de transfert de carburant Fill-Rite®. Votre sécurité est importante, c'est pourquoi nous vous invitons à lire et à bien comprendre les instructions figurant dans ce manuel. En outre, veuillez conserver ce manuel pour toute référence ultérieure et y consigner le modèle, le numéro de série et la date d'achat de la pompe de transfert de carburant. Protégez-vous et tous ceux qui vous entourent en respectant toutes les consignes de sécurité, ainsi que tous les symboles Danger, Avertissement et Attention. Veuillez enregistrer ce produit Fill-Rite® à l'adresse [info.fillrite.com/product\\_registration](http://info.fillrite.com/product_registration)

**POLITIQUE DE RETOUR - IMPORTANT**

**Veuillez ne pas retourner ce produit au magasin.** Pour toute question sur la garantie et les produits, veuillez communiquer avec le service à la clientèle Fill-Rite au 1 (800) 720-5192 (lun-ven, 8h00-17h00 HNE/HAE).

N° DE MODÈLE	
N° DE SÉRIE	
DATE D'ACHAT :	



**Garantie limitée**

Fill-Rite Company garantit que les marchandises fabriquées sont exemptes de défauts de pièces et de main-d'œuvre. Voir les détails spécifiques de la garantie pour chaque produit à [fillrite.com](http://fillrite.com).





## Caractéristiques des pompes de transfert de carburant série H

- **Boîte de jonction électrique réglable**  
Pivote sur 180 degrés pour faciliter la pose du câblage électrique dans les espaces restreints, quel que soit l'emplacement de la bonde d'admission
- **Levier de commutation robuste et fiable**  
Comporte une butée en fonte qui résiste aux utilisations intensives dans les conditions les plus rudes
- **Protection par barre de verrouillage**  
La barre allongée simplifie le processus de cadenassage pour éviter le vol
- **Réduction ciblée du poids des composants**  
La capacité de service intensif attendue est préservée et l'installation est plus facile
- **Peinture de protection supérieure**  
Barrière anticorrosion exemplaire de grande durabilité
- **Moteur à protection thermique**  
Empêche la surchauffe pour une durée de vie maximale du moteur
- **Tuyau d'aspiration télescopique en métal\***  
Réglable en longueur de 508 à 864 mm (20 à 34 po), ce qui permet une installation universelle dans des citernes de tailles et de formes très variées  
\*Non fourni avec les modèles SD
- **Tamis d'admission**  
Protège la pompe par le blocage des particules résultant de la contamination
- **Certifications** – UL, cUL

## À propos de ce manuel

Du concept initial jusqu'à la fabrication finale, la pompe de transfert de carburant Fill-Rite est construite pour offrir des années d'utilisation sans problème. Pour assurer votre sécurité et celle de votre entourage, il est impératif de lire ce manuel en entier avant de tenter d'installer ou de faire fonctionner ce nouveau produit. Nous recommandons vivement à tout installateur et utilisateur de se familiariser avec la terminologie, les schémas et les données techniques figurant dans ce manuel et d'accorder une attention particulière aux symboles et aux définitions de mise en garde. Chez Fill-Rite, votre satisfaction vis-à-vis de nos produits est primordiale. Si vous avez des questions ou que vous avez besoin d'aide concernant votre produit, communiquez avec le service à la clientèle au 1 (800) 720-5192 (lun-ven, 8h00-17h00 HNE/HAE).

## Symboles et définitions

 <b>DANGER</b>	Indique une situation dangereuse qui, si elle n'est pas évitée, provoque la mort ou des blessures graves.
 <b>AVERTISSEMENT</b>	Indique une situation dangereuse qui, si elle n'est pas évitée, peut provoquer la mort ou des blessures graves.
 <b>ATTENTION</b>	Indique une situation dangereuse qui, si elle n'est pas évitée, peut provoquer des blessures modérées ou mineures.
 <b>AVIS</b>	Indique une information considérée importante mais sans rapport direct avec un danger.

## Avant de commencer

### Pompage de carburants

Les modèles Fill-Rite FR1200, FR2400, FR4200, FR4400, FR600 ainsi que SD1200 et SD600 sont conçus et homologués pour une utilisation avec les liquides inflammables et combustibles suivants : essence et mélanges d'essence jusqu'à 15 % ou E15, diesel, biodiesel jusqu'à 20 % ou B20, kérosène et essences minérales. Veiller à prendre toutes les précautions nécessaires lorsque pour manipuler des liquides inflammables.

### Alimentation électrique

Selon le modèle Fill-Rite, l'alimentation électrique est de 12 Vcc, 24 Vcc ou 115 Vca. La plaque signalétique du moteur de pompe, à côté du levier de commutation, comporte des données électriques détaillés. Se reporter aux instructions d'installation électrique qui conviennent à partir de la **page 7** (alimentation CC) ou de la **page 10** (alimentation CA).

### Articles pouvant être nécessaire pour l'installation :

Clé à molette en acier de 14 à 24 po, clé à fourche ou douille (7/16 po, 11 mm), tournevis Torx T-25, couteau utilitaire, meuleuse d'angle ou scie à métaux (facultatif), pince coupe-fils, pince à dénuder/sertir et pâte d'étanchéité pour filetage (facultatif).

Remarque : Fill-Rite fournit du ruban Teflon® avec tous les modèles, comme indiqué à la **page 16**.

## Information sur la sécurité

Pour assurer une installation sécuritaire et le bon fonctionnement du matériel, veiller à lire, comprendre et respecter tous messages DANGER, AVERTISSEMENT, ATTENTION et AVIS.

### DANGER

Ne jamais fumer à côté ou à proximité d'un citerne de carburant ou d'une pompe de transfert. La présence de flammes nues ou d'étincelles durant le pompage d'un liquide inflammable peut provoquer un incendie. Un mauvais câblage électrique ou une installation incorrecte peuvent provoquer des blessures graves ou la mort.

### AVERTISSEMENT

Le câblage électrique doit être exécuté **UNIQUEMENT** par un électricien qualifié en conformité avec le code de l'électricité en vigueur (NEC/ANSI/NFPA 30, NFPA 30A et NFPA 70) en fonction de l'utilisation prévue de la pompe de transfert de carburant Fill-Rite.

Utiliser des conduits rigides filetés, des raccords étanches et un joint conducteur s'il y a lieu et selon les dispositions de ces réglementations.

Ce produit doit être correctement relié à la masse ou à la terre pour éviter toute accumulation d'électricité statique lors de la manipulation de produits inflammables. Une décharge statique peut enflammer les vapeurs et provoquer des blessures graves ou la mort.

Les pompes Fill-Rite ne conviennent pas à une utilisation avec de l'eau ou des fluides destinés à la consommation humaine. Ne pas les utiliser pour le ravitaillement d'avions.

Pour minimiser l'accumulation d'électricité statique, maintenir le pistolet de distribution en contact avec le récipient à remplir pendant toute la durée du remplissage. Utiliser uniquement un tuyau flexible à conducteur antistatique pour le pompage de liquides inflammables.

Une mauvaise installation mécanique ou une utilisation incorrecte peuvent provoquer des blessures graves ou la mort.

### ATTENTION

L'étanchéité des joints et raccords de tuyauterie filetés doit être assurée au moyen d'une pâte ou d'un ruban d'étanchéité adapté pour éviter les fuites.

Tous les modèles de pompes Fill-Rite sont équipés d'une protection contre les surcharges thermiques qui coupe le moteur pour éviter les dommages par la chaleur. Si le moteur est coupé en raison d'une surcharge thermique, mettre le levier de commutation en position ARRÊT. Une fois que le moteur a suffisamment refroidi, remettre le levier de commutation en position MARCHÉ pour reprendre le transfert de carburant.

Certains modèles Fill-Rite redémarrent automatiquement si le levier de commutation n'est pas en position ARRÊT une fois que la protection thermique est réarmée. Il est préférable de toujours mettre le levier de commutation en position ARRÊT suite à une surchauffe du moteur.

### AVIS

Il est conseillé d'utiliser un filtre à la sortie de la pompe pour éviter le transfert de toute contamination dans le réservoir de carburant du véhicule ou de la machine. Pour obtenir des résultats optimaux, nous recommandons les filtres Fill-Rite.

Pour écarter les risques de déplacement ou de basculement des citernes de stockage de carburant, consulter les directives du fabricant de la citerne concernant son bon ancrage.

## Installation

La pompe Fill-Rite est conçue pour être montée sur une citerne de carburant au moyen de la bride d'admission fileté fournie avec la pompe. Les schémas 1 et 2 montrent des installations types. La pompe comporte une soupape de dérivation intégrée qui fait recirculer le liquide lorsque la pompe fonctionne avec le pistolet de distribution fermé.

### ATTENTION

Ne pas utiliser de clapets antiretour ou de clapets de pied à moins qu'ils comportent une soupape de surpression adaptée intégrée. Garder à l'esprit que les clapets antiretour supplémentaires réduisent le débit.

Un bouchon de remplissage à rétention de pression peut être utilisé pour réduire les pertes de carburant par évaporation.

L'étanchéité des joints et raccords de tuyauterie filetés doit être assurée au moyen d'une pâte d'étanchéité adaptée pour éviter les fuites.

Prendre garde de ne pas fausser le filetage durant la pose car cela peut endommager la bride d'admission aussi bien que la bonde de la citerne.

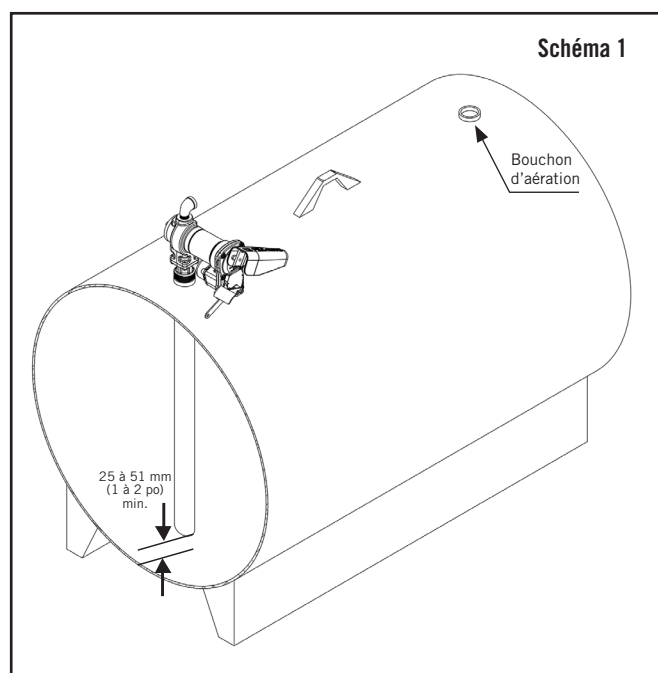
### AVIS

Dans toutes les installations sur citerne, s'assurer que la citerne est correctement attachée conformément aux directives de son fabricant.

## Citerne fixe

Pour les citernes de carburant fixes, la pompe se monte sur la citerne au moyen de la bride d'admission de la pompe. Étant donné les différents formats de citernes fixes, un tuyau d'aspiration ou d'admission sur mesure peut s'avérer nécessaire. Nous recommandons un tuyau en fer noir de 1 po NPT qui descend jusqu'à une distance d'au moins 25 à 51 mm (1 à 2 po) du fond de la citerne, le bas du tuyau étant coupé à un angle de 30 à 45 degrés pour améliorer le débit.

Une citerne fixe doit être équipée d'un bouchon d'aération. (Schéma 1)



## Citerne mobile

Pour les citernes de carburant mobiles, la pompe se monte sur la citerne au moyen de la bride d'admission de la pompe.

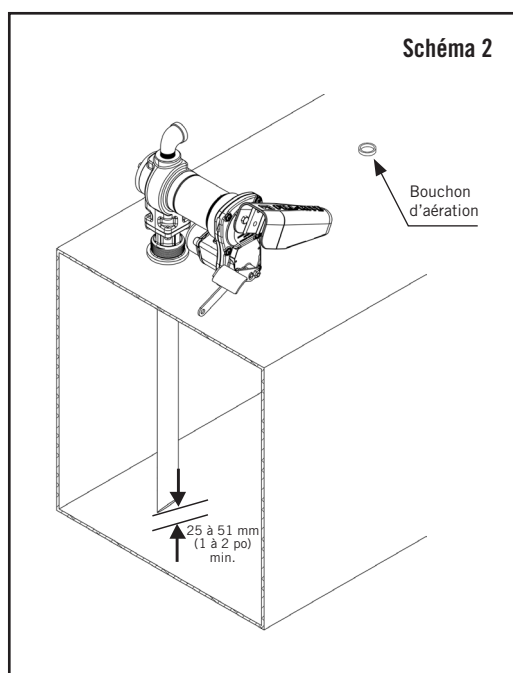
### Tuyau d'aspiration télescopique en acier

Laisser le tube télescopique s'étendre complètement jusqu'au fond de la citerne.

### Tuyau d'aspiration sur mesure ou en PVC

Pour éviter de percer la citerne, il est recommandé de placer le tuyau à un minimum de 2,5 à 5 cm (1 à 2 po) du fond de la citerne. Nous conseillons également de couper le tuyau d'aspiration à un angle de 30 à 45 degrés pour améliorer le débit.

La citerne mobile doit être équipée d'un bouchon d'aération. (Schéma 2)



**Installation**

**Étape 1 :** (facultatif) Démontage de la bride d'admission  
Desserrer les quatre (4) vis de 1/4 po avec une clé ou une douille de 7/16 po. Détacher la bonde d'admission de la pompe, conserver les vis, le tamis et le joint.

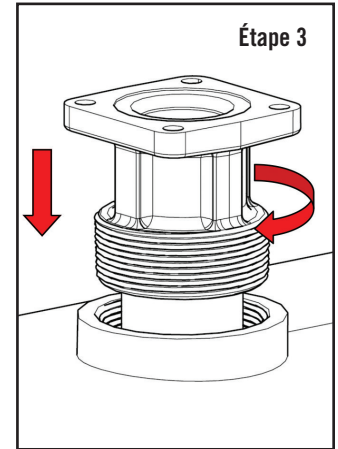
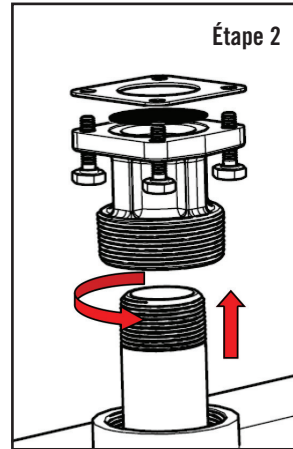
**Étape 2 :** En utilisant soit le tuyau d'aspiration fourni soit un tuyau sur mesure, visser le tuyau dans la bonde d'admission avec une clé à molette de 1,5 à 2,5 tours au-delà du serrage à la main. Utiliser une pâte d'étanchéité adaptée au transfert de carburant.

**Étape 3 :** Visser la bonde d'admission équipée du tuyau d'aspiration sur la citerne en serrant de 1,5 à 2,5 tours au-delà du serrage à la main. Utiliser une pâte d'étanchéité adaptée au transfert de carburant.

**Étape 4 :** (Uniquement si l'étape 1 est effectuée) Placer le tamis dans son logement sur la bonde d'admission, poser le joint puis placer la pompe sur la bonde de citerne. Aligner les trous, enfiler quatre (4) vis de 1/4 po et serrer avec une clé de 7/16 po à un couple de 4,5 Nm (40 po-lb) minimum.

**Étape 5 :** Retirer le couvercle de boîte de jonction attaché par deux (2) vis T-25 et identifier les conducteurs. Tension CC : 2 conducteurs, noir et rouge; tension CA : 3 conducteurs, noir, blanc et vert, ce dernier raccordé à la vis de terre interne. Vérifier que le joint est toujours en place lors du remontage de la boîte de jonction.

**Étape 6 :** Tirer les conducteurs de la source d'alimentation à travers l'ouverture à filetage NPT<sup>†</sup> de la boîte de jonction. Sur les modèles à courant continu, utiliser le connecteur de câble noir\*. Sur les modèles à courant alternatif, attacher le conduit directement à l'ouverture NPT<sup>†</sup>.



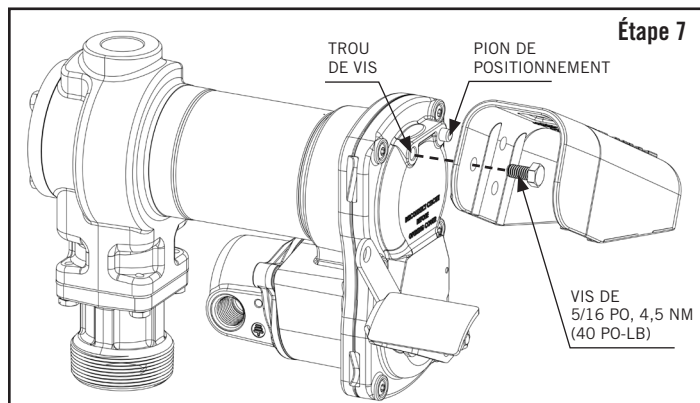
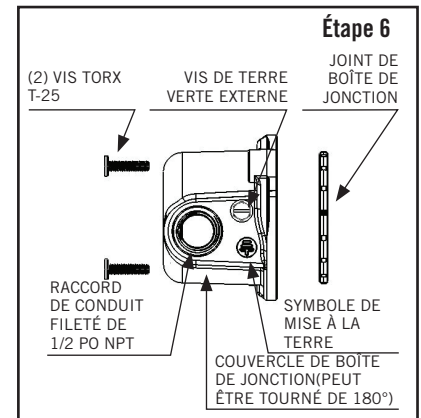
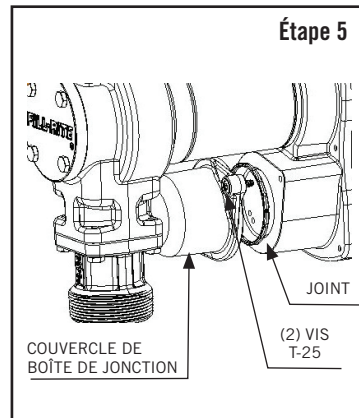
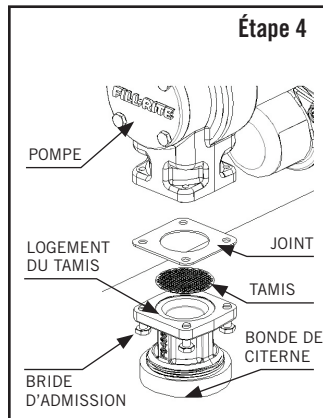
\* Presse-étoupe noir uniquement sur les modèles à courant continu.

† Raccord en bronze 1/2 po NPT à presse-étoupe, conformité ATEX sur les modèles HE

**Étape 7 :** La gaine de pistolet est attachée à la plaque d'interrupteur au moyen d'une (1) vis de 5/16 po serrée à un couple de 4,5 Nm (40 po-lb). La gaine de pistolet peut être placée dans deux positions possibles.

**AVIS**

Maintenir un écart d'au moins 25 à 51 mm (1 à 2 po) entre l'extrémité du tuyau et le fond de la citerne.



**Instruction de câblage 12 Vcc et 24 Vcc**

**Pompe de transfert à CC séries FR1200 / FR2400 / FR4200 / FR4400 / SD1200**

**⚠ DANGER**

Le câblage électrique doit être exécuté **UNIQUEMENT** par un électricien qualifié en conformité avec les codes de l'électricité en vigueur (NEC/ANSI/NFPA 30, NFPA 30A et NFPA 70), comme il se doit en fonction de l'utilisation prévue de la pompe. Utiliser des conduits rigides filetés, des raccords étanches et un joint conducteur s'il y a lieu. La pompe doit être correctement reliée à la terre. Une installation ou une utilisation incorrecte de cette pompe peut entraîner des blessures corporelles graves ou la mort.

Ne pas raccorder le conducteur d'alimentation positif ou négatif à la vis verte ou au conducteur vert de mise à la terre/masse car cela peut provoquer un incendie.

Ne pas tenter d'alimenter la pompe à l'aide de conducteurs du véhicule d'un calibre inférieur à 12 AWG, tels que les fils de l'allume-cigare, parce que ces conducteurs minces peuvent surchauffer et provoquer un incendie.

Pour plus d'information sur le câblage jusqu'aux interrupteurs de console auxiliaires, communiquer avec le service à la clientèle Fill-Rite au 1 (800) 720-5192 (lun-ven, 8h00-17h00 HNE/HAE).

**⚠ ATTENTION**

Les pompes à carburant à courant continu Fill-Rite sont conçues pour fonctionner à la tension nominale indiquée sur la plaque signalétique. Les séries FR1200, FR4200 et SD1200 sont de type 12 Vcc, tandis que les modèles FR2400 et FR4400 sont de type 24 Vcc. Quelle que soit la façon dont l'alimentation électrique est fournie (par batterie ou par circuit câblé), Fill-Rite exige que le circuit comporte un fusible de protection contre les courts-circuits. Pour un système sous 12 Vcc, prévoir un fusible de 30 A et, pour un système sous 24 Vcc, un fusible de 20 A.

La chute de tension à travers le câblage dépend de la distance entre la batterie et la pompe et du calibre de conducteur utilisé. Si la distance est supérieure à la longueur de 5,5 m (18 pi) du câble de 12 AWG fourni, consulter les codes de l'électricité en vigueur pour vérifier que le calibre de conducteur utilisé convient pour l'installation considérée.

La table ci-dessous est fournie à titre indicatif et ne vise pas remplacer pas les codes de l'électricité :

Distance linéaire maximale m (pi) d'un conducteur multibrin en cuivre en fonction du calibre				
10	8	6	4	2
8,2 (27)	13,4 (44)	21 (69)	33,5 (110)	53,3 (175)

\* Câble d'alimentation 12 AWG non fourni avec les modèles à pompe seule

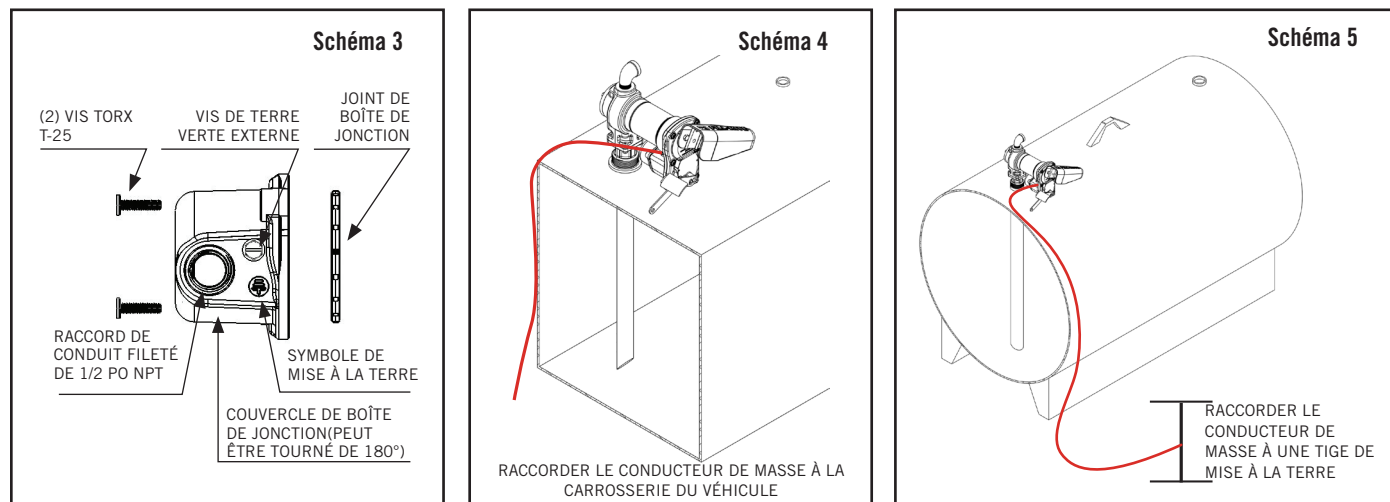
**AVIS**

La mise à la masse consiste à relier des éléments métalliques telles que la citerne de carburant ou la pompe de transfert susceptibles d'être exposées à des courts-circuits à un conducteur de mise à la terre pour fournir un chemin de faible résistance jusqu'à la terre. La mise à la masse offre également un chemin d'évacuation vers la terre pour l'électricité statique et les tensions induites. Le moyen de mise à la masse le plus courant est un conducteur de cuivre.

S'il est prévu de faire fonctionner une pompe de transfert de carburant de 12 Vcc ou 24 Vcc à partir d'une source d'alimentation autre que le circuit de batterie d'un véhicule, consulter le service à la clientèle Fill-Rite au 1 (800) 720-5192 (lun-ven, 8h00-17h00 HNE/HAE).

## Avant de procéder au câblage pour courant continu.

La pompe doit être mise à la masse par une liaison au châssis du véhicule dans le cas d'une citerne mobile ou à une tige de mise à la terre s'il s'agit d'une citerne fixe. Pour mettre la pompe à la masse dans le cas d'une installation mobile, retirer la vis verte de mise à la masse externe du couvercle de boîte de jonction (Schéma 3). Insérer cette vis à travers la cosse ronde du conducteur de masse vert fourni et la revisser solidement sur la boîte de jonction. Dénuder l'autre extrémité du conducteur et la raccorder solidement au châssis du véhicule ou de la remorque tout-terrain dans le cas d'une citerne mobile (Schéma 4). Pour la mise à la masse sur une citerne fixe, raccorder le conducteur à une tige de mise à la terre et à la citerne elle-même (Schéma 5). La distance peut être supérieure à la longueur du conducteur de mise à la terre fourni.



## Instruction de câblage pour courant continu

1. Retirer le couvercle de boîte de jonction de la pompe et redresser les conducteurs rouge et noir.
2. Visser le connecteur de câble fourni dans l'ouverture pour conduit de 1/2 po NPT de la boîte de jonction.
3. Dénuder 76 mm (3 po) de gaine à une extrémité du câble d'alimentation électrique fourni\*. Prendre garde de ne pas endommager la gaine isolante des conducteurs noir et rouge.
4. Desserrer l'écrou du connecteur de câble et passer l'extrémité dénudée du câble fourni à travers le connecteur de câble. Serrer l'écrou du connecteur de câble.
5. Dénuder une longueur de 13 mm (1/2 po) de l'extrémité des conducteurs rouge et noir. À l'aide des capuchons de connexion fournis, raccorder les conducteurs du câble à ceux de la pompe en faisant correspondre les couleurs.  
**IMPORTANT** : s'assurer qu'il n'y a aucun fil dénudé exposé.
6. Plier les conducteurs dans la boîte de jonction et remettre le couvercle en place en s'assurant que le joint est bien en place. S'assurer que toutes les vis sont bien serrées afin qu'il n'y ait aucun espace entre le bâti et la boîte de jonction (voir le schéma de l'étape 6 à la **page 6**).

\*Câble 12 AWG non fourni avec les modèles à pompe seule

## Raccordement d'une citerne mobile au circuit électrique d'un véhicule

1. Avant de procéder à l'installation électrique, placer le levier de commutation en position ARRÊT pour éviter tout déversement accidentel une fois que le circuit du moteur est sous tension.
2. Tirer les conducteurs électriques jusqu'à la source d'alimentation du circuit électrique du véhicule en les attachant comme il se doit et en les protégeant contre arêtes tranchantes, la chaleur et toute autre cause potentielle de dommages.
3. Pour déterminer si le circuit électrique du véhicule est de masse négative (-) ou positive (+), vérifier le marquage sur de la borne de batterie qui est reliée au châssis du véhicule ou au bloc moteur. Le conducteur rouge de la pompe se raccorde à la borne positive de batterie et le conducteur noir de la pompe à la borne négative. Ces instructions concernent les circuits à masse négative, qui est le cas le plus COMMUN. Les circuits à masse positive sont PEU COMMUNS. Pour plus de détails sur les circuits avec positif à la masse, consulter le schéma de câblage à la **page 9**.
4. Fill-Rite exige l'installation d'un porte-fusible et d'un fusible (non fournis) pour protéger la pompe. Raccorder solidement un côté du porte-fusible à l'extrémité du conducteur non relié à la masse. L'autre côté du porte-fusible est ensuite raccorder à la borne de batterie qui n'est pas reliée à la masse, le plus près possible de la batterie. Effectuer un raccordement électrique solide entre le conducteur restant et la borne de batterie qui est reliée à la masse. Une cosse de raccordement à la batterie (non fournie par Fill-Rite) est nécessaire pour la réalisation du circuit électrique.
5. Vérifier que tous les raccordements effectués sont conformes aux instructions et aux codes de l'électricité en vigueur. Placer un fusible (30 A pour 12 Vcc, 20 A pour 24 Vcc) dans le porte-fusible. L'installation est à présent terminée.

### Raccordement d'une citerne mobile à un circuit non automobile

Bien que rares, il y a des cas où une pompe à carburant Fill-Rite de 12 Vcc ou 24 Vcc n'est pas alimentée à partir du circuit électrique d'un véhicule. Dans ce cas, nous conseillons d'appeler le service technique de Fill-Rite au 1 (800) 720-5192 (lun-ven, 8h00-17h00 HNE/HAE) pour discuter de cette situation particulière. La majorité de ces installations nécessitent du matériel non fourni par Fill-Rite. En outre, nous tenons à nous assurer que le circuit sera en mesure de fournir l'alimentation électrique nécessaire à la pompe.

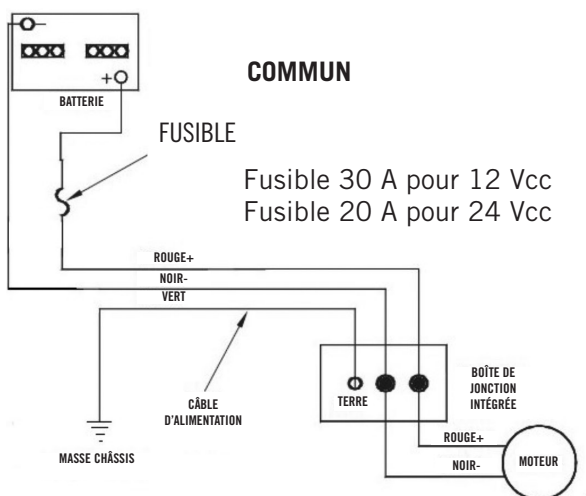
### Raccordement d'un citerne fixe

1. Avant de procéder à l'installation électrique, placer le levier de commutation en position ARRÊT pour éviter tout déversement accidentel une fois que le circuit du moteur est sous tension.
2. Fill-Rite exige l'installation d'un porte-fusible et d'un fusible (non fournis) pour protéger la pompe.
3. Raccorder un côté du porte-fusible au conducteur rouge de la pompe, aussi près que possible de la batterie ou de la source d'alimentation. Raccorder solidement l'autre côté du porte-fusible à la borne positive de la source d'alimentation. Raccorder solidement le conducteur noir de la pompe à la borne négative de la source d'alimentation.
4. Vérifier que tous les raccords effectués sont conformes aux instructions et aux codes de l'électricité en vigueur.
5. Placer un fusible (30 A pour 12 Vcc, 20 A pour 24 Vcc) dans le porte-fusible.
6. L'installation est à présent terminée.

### Système avec négatif à la masse (commun)

Ce circuit électrique est le plus commun parmi les véhicules à source d'alimentation de 12 Vcc. Dans ce cas, la borne positive de la batterie alimente tous les dispositifs, tels que système d'allumage. La borne négative (-) est reliée au châssis du véhicule.

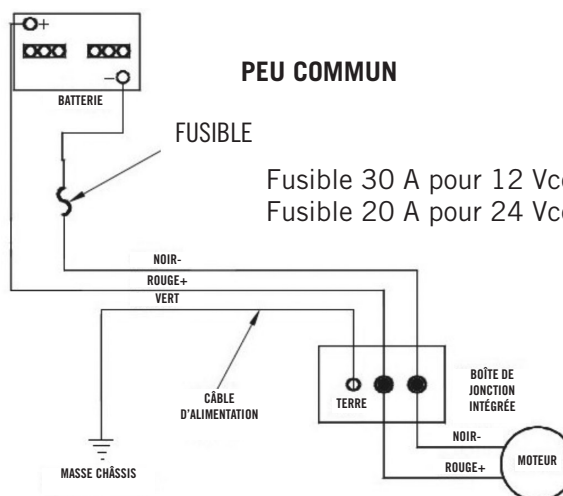
Le fusible doit être placé en dehors de la zone dangereuse, aussi près que possible de la source d'alimentation. Si le câble entre la source d'alimentation et la pompe mesure plus de 5,5 m (18 pi), consulter le code de l'électricité en vigueur (national, international ou local) pour s'assurer qu'il est de calibre suffisant pour l'utilisation considérée.



### Système avec positif à la masse (peu commun)

Ce circuit électrique est peu commun parmi les véhicules à source d'alimentation de 12 Vcc. Le châssis du véhicule est relié à la borne positive (+) de la batterie.

Le fusible doit être placé en dehors de la zone dangereuse, aussi près que possible de la source d'alimentation. Si le câble entre la source d'alimentation et la pompe mesure plus de 6,1 m (18 pi), consulter le code de l'électricité en vigueur (national, international ou local) pour s'assurer qu'il est de calibre suffisant pour l'utilisation considérée.





**Instruction de câblage 115 Vca pour pompes de transfert de carburant FR600 / SD600**

**⚠ DANGER**

- Toutes les pompes fonctionnent sous leur tension nominale, indiquée sur la plaque signalétique.
- L'alimentation CA doit être fournie à la pompe par un circuit dédié équipé d'une protection de circuit de 15 A. Aucun autre appareil ne doit être alimenté par ce circuit électrique.
- Le câblage doit être de section suffisante pour transporter le courant nécessaire à la pompe.
- La chute de tension varie en fonction de la distance à la pompe et de la section du câble; voir les compensations de chute de tension dans le NEC (National Electric Code) ou dans les codes locaux et vérifier que le câble utilisé est de section correcte pour l'application. Les conducteurs de calibre insuffisants peuvent surchauffer et provoquer un incendie.
- S'assurer d'une bonne mise à la terre pour éviter les risques d'électrocution.
- Chaque moteur Fill-Rite est classé antidéflagrant pour les zones dangereuses de Classe I / Division 1. Il est fortement recommandé de confier toutes les réparations à un distributeur autorisé afin d'éviter d'invalider la garantie. Il est très important de préserver l'intégrité antidéflagrante des composants du moteur et du système.
- Le câblage électrique doit être exécuté **UNIQUEMENT** par un électricien qualifié en conformité avec les codes de l'électricité en vigueur (NEC/ANSI/NFPA 70, NFPA 30 et NFPA 30A) comme il se doit en fonction de l'utilisation prévue de la pompe. La pompe doit être correctement reliée à la terre. Une installation ou une utilisation incorrecte de cette pompe peut entraîner des blessures corporelles graves ou la mort.

**⚠ AVERTISSEMENT**

- Le conducteur de mise à la terre du câblage d'alimentation doit **IMPÉRATIVEMENT** être raccordé à la vis de terre à l'intérieur de la boîte de jonction.

**⚠ ATTENTION**

La chute de tension à travers le câblage dépend de la distance entre la source d'alimentation et la pompe et du calibre de conducteur utilisé. Fill-Rite recommande de consulter les codes de l'électricité en vigueur pour vérifier que le calibre de conducteur utilisé convient pour l'installation considérée. La table ci-dessous est fournie à titre indicatif et ne vise pas remplacer pas les codes de l'électricité.

Distance linéaire maximale m (pi) d'un conducteur monobrin et multibrin en cuivre en fonction du calibre								
	AWG	16	14	12	10	8	6	4
Conducteur	Monobrin	11,9 (39)	18,9 (62)	30,2 (99)	48,2 (158)	76,2 (250)		
	Multibrin	11,6 (38)	18,6 (61)	29,3 (96)	46,9 (154)	74,7 (245)	118,6 (389)	189,0 (620)

**Procédure de câblage pour 115 Vca**

1. Retirer le couvercle de la boîte de jonction électrique et redresser les conducteurs afin que les extrémités dénudées soient accessibles à l'extérieur de la boîte de jonction.
2. Poser un conduit rigide et le câblage qui convient entre la source d'alimentation et la boîte de jonction pour maintenir l'intégrité antidéflagrante.
3. Raccorder les conducteurs de la pompe aux conduites d'alimentation électrique conformément au schéma de câblage. Veiller à bien isoler les raccordements au moyen de capuchons de connexion ou autres connecteurs adaptés. On notera que le conducteur de mise à la terre doit IMPÉRATIVEMENT être raccordé. Le raccordement du conducteur de mise à la terre se trouve à l'intérieur de la boîte de jonction (Schéma 6b).
4. Replier les conducteurs dans la boîte de jonction et remettre le couvercle en place en s'assurant que le joint est bien en place.

**Boîte de jonction de pompe 115 Vca (pompes de transfert CA série FR/SD600)**

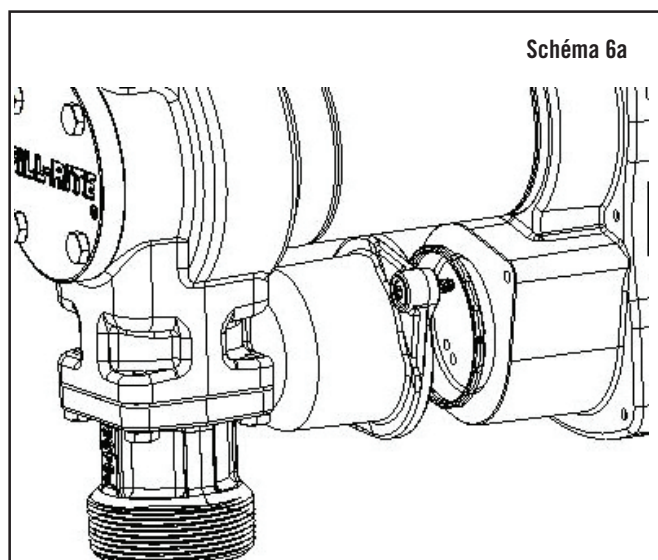


Schéma de câblage 115 Vca

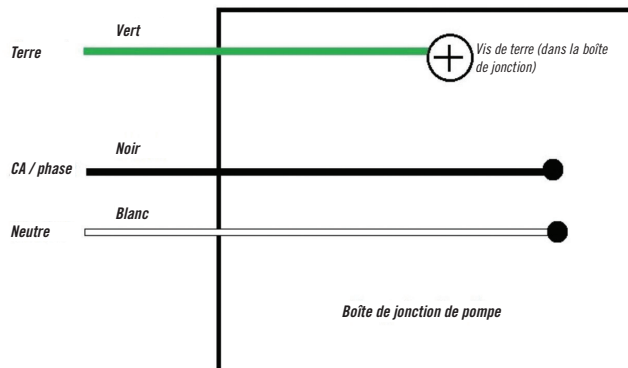
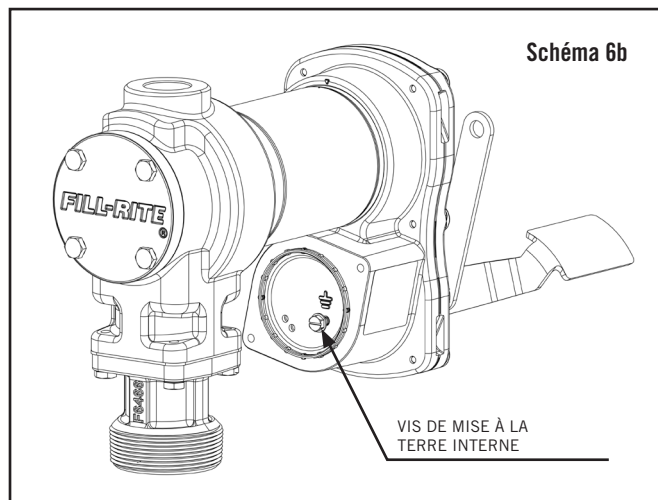


Schéma de câblage 115 Vca pour pompes de transfert de carburant CA FR/SD600.

Le câble d'alimentation électrique doit comporter un conducteur de mise à la terre. Ce conducteur doit être raccordé à la borne de mise à la terre à vis sur la surface intérieure de la boîte de jonction.

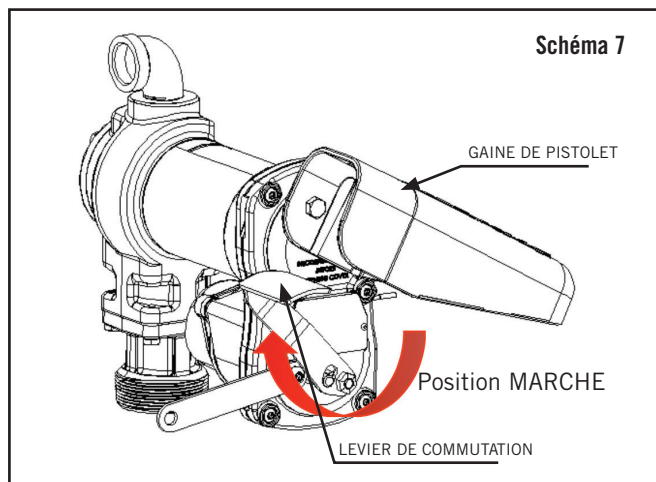


**Mode d'emploi**

**⚠ DANGER**

Toujours garder le pistolet au contact du récipient à remplir durant le remplissage afin de minimiser le risque d'accumulation d'électricité statique. Une étincelle au milieu de vapeurs inflammables provoquerait une explosion pouvant entraîner la mort ou des blessures graves.

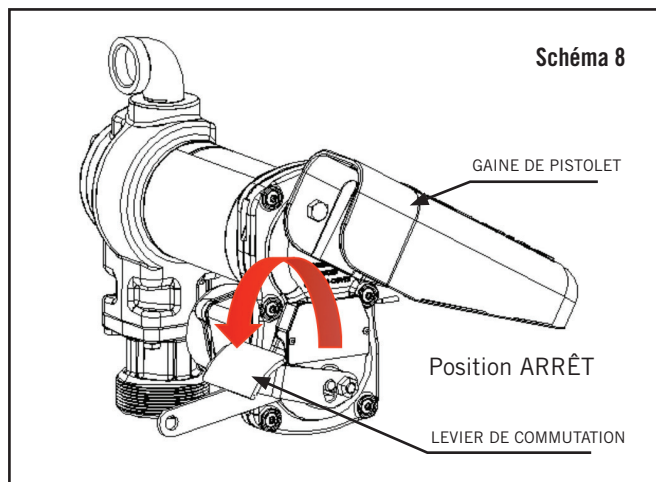
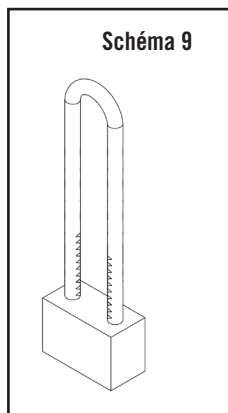
1. Sur les modèles qui en sont équipés, remettre le compteur à « 0 » (ne pas le faire durant la marche car cela peut endommager le compteur).
2. Sortir le pistolet de distribution de la gaine de pistolet.
3. Placer le levier de commutation en position MARCHE pour mettre la pompe sous tension (Schéma 7).
4. Introduire le pistolet de distribution dans le contenant à remplir.
5. Actionner le pistolet pour distribuer le liquide; relâcher le pistolet lorsque la quantité souhaitée de liquide a été distribuée.
6. Ramener le levier de commutation en position ARRÊT (Schéma 8) pour mettre la pompe à l'arrêt.
7. Retirer le pistolet de distribution du récipient rempli et le remettre en place dans la gaine de pistolet.



**Sécurité**

La pompe de transfert de carburant Fill-Rite est équipée d'une patte de verrouillage à côté du levier de commutation pour plus de sécurité. Une fois la pompe mise à l'arrêt et le pistolet en position rangée, un cadenas peut être placé à travers la patte de verrouillage et la poignée du pistolet.

Fill-Rite recommande d'utiliser un cadenas en acier laminé de qualité commerciale à arceau réglable (Schéma 9).



**Dépannage**

Le guide de dépannage qui suit a pour objet d'offrir un diagnostic de base dans l'éventualité d'un fonctionnement anormal de ce produit Fill-Rite. Pour toute question, ne pas hésiter à communiquer avec le service à la clientèle de Fill-Rite au 1 (800) 720-5192 (lun-ven, 8h00-17h00 HNE/HAE) ou par courriel à l'adresse [fillritetech@fillrite.com](mailto:fillritetech@fillrite.com).

**⚠ DANGER**

Veiller à débrancher toutes les sources d'alimentation de la pompe CA ou CC avant toute opération d'entretien ou de réparation et à libérer toute pression à l'intérieur du tube d'aspiration ou du tuyau de refoulement afin d'écartier les risques de dégâts matériels, de blessure corporelle ou de mort.

**Dépannage** (suite)

Symptôme	Cause	Remède
La pompe ne s'amorce pas	Problème de conduite d'aspiration	Vérifier l'absence de fuites et de restrictions dans la conduite d'aspiration
	Soupape de dérivation ouverte	Démonter et contrôler la soupape; elle doit bouger librement et être propre
	Palettes grippées	Vérifier l'absence d'entailles, ébarbures et usure des palettes et des rainures du rotor
	Usure excessive du rotor ou des palettes	Voir si le rotor et les palettes présentent des dommages ou une usure excessive; les changer s'il y a lieu
	Pistolet automatique	Le décrocher pour amorcer la pompe
	Obstructions dans le système	Vérifier la propreté du filtre et de la soupape de dérivation; décrocher le pistolet et vérifier le débit avec la pompe en marche
Capacité insuffisante	Trop de saleté dans le tamis	Démonter et nettoyer le tamis
	Problèmes de conduite d'aspiration	Vérifier l'absence de fuites et de restrictions dans la conduite d'aspiration
	Soupape de dérivation grippée	Démonter et contrôler la soupape; elle doit bouger librement et être propre
	Refoulement obstrué	Voir si le refoulement de la pompe, le flexible, le pistolet ou le filtre sont obstrués
	Palettes grippées	Vérifier l'état d'usure des palettes et des rainures du rotor; les changer s'il y a lieu
	Usure excessive du rotor ou des palettes	Voir si le rotor et les palettes présentent des dommages ou une usure excessive; les changer s'il y a lieu
	Flexible ou pistolet endommagé	Changer le flexible ou le pistolet (Fill-Rite recommande des flexibles et pistolets homologués UL)
	Filtre colmaté	Changer le filtre
	Niveau de liquide insuffisant	Remplir la citerne
La pompe tourne lentement	Tension incorrecte	Contrôler la tension d'alimentation à l'entrée
	Palettes grippées	Vérifier l'absence d'entailles, ébarbures et usure des palettes et des rainures du rotor
	Problème de câblage	Vérifier le serrage des branchements
	Problème de moteur	Communiquer avec le service à la clientèle Fill-Rite au 1 (800) 720-5192 (lun-ven, 8h00-17h00 HNE/HAE)
Le moteur cale, le fusible grille ou la protection thermique se déclenche de façon répétée.	Soupape de dérivation grippée	Démonter et contrôler la soupape; elle doit bouger librement et être propre
	Tension insuffisante	Contrôler la tension d'alimentation à l'entrée
	Usure excessive du rotor ou des palettes	Voir si le rotor et les palettes présentent des dommages ou une usure excessive
	Débris dans la cavité de la pompe	Nettoyer les débris de la cavité de la pompe
Le moteur surchauffe	Transfert de fluides à viscosité élevée	Ces fluides ne peuvent être pompés que pendant de courtes périodes (cycle d'exploitation de moins de 30 minutes)
	Tamis colmaté	Démonter et nettoyer le tamis d'admission
	Restriction du tuyau d'aspiration.	Démonter et nettoyer le tuyau
	Panne de moteur	Communiquer avec le service à la clientèle Fill-Rite au 1 (800) 720-5192 (lun-ven, 8h00-17h00 HNE/HAE)
	Blocage du rotor de pompe	Nettoyer et contrôler le rotor et les palettes de la pompe
Le moteur ne fonctionne pas	Pas d'alimentation électrique	Contrôler l'alimentation électrique à l'entrée
	Problème de câblage	Isoler le problème de conduite d'alimentation électrique à l'aide d'un multimètre
	Panne de moteur	Communiquer avec le service à la clientèle Fill-Rite au 1 (800) 720-5192 (lun-ven, 8h00-17h00 HNE/HAE)
	Rotor bloqué	Nettoyer et contrôler le rotor de pompe; réparer s'il y a lieu avec KIT120RG
	Câblage incorrect ou desserré	Vérifier que le calibre des conducteurs est conforme aux codes de l'électricité en vigueur
Fuite de liquide	Joint torique défectueux	Contrôler et changer tous les joints toriques (capot de rotor, bride d'admission, capuchon de dérivation)
	Joint d'arbre sale ou défectueux	Remplacer le joint d'arbre par KIT120SL
	Liquide incompatible	Soumettre la liste de pièces mouillées à la <b>page 14</b> au fabricant du liquide
	Visserie desserrée	Resserrer la visserie
La pompe ronfle mais ne fonctionne pas	Panne de moteur	Communiquer avec le service à la clientèle Fill-Rite au 1 (800) 720-5192 (lun-ven, 8h00-17h00 HNE/HAE)
	Clavette de rotor cassée	Retirer tous les débris et changer la clavette

## Caractéristiques et modèles

Une gamme de pompes de transfert de carburant homologuées UL/cUL qui sont compatibles avec l'essence, le carburant diesel, les mélanges de carburant tels que le biodiesel jusqu'à 20 % et l'essence contenant jusqu'à 15 % d'éthanol, les essences minérales et le kérosène.

Pièces du produit	Matériaux
Corps de pompe	Fonte
Rotor	Fer fritté
Palette	Bronze fritté
Crépine	Acier inoxydable
Pièces mouillées	Buna-N, fluorocarbone, céramique, liège, thermodurcissable, acier, acier inoxydable

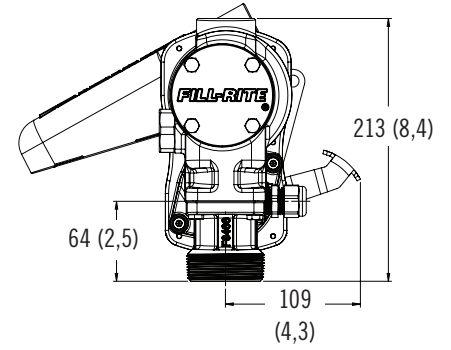
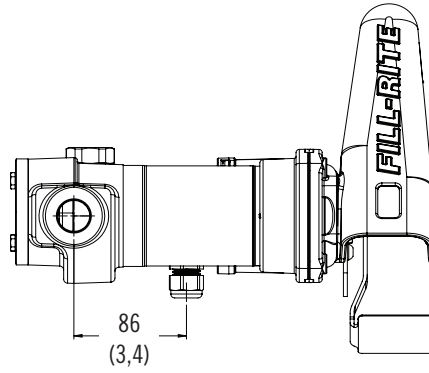
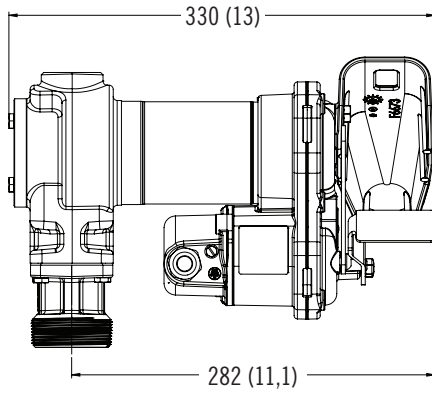
Description		FR1200	FR4200	SD1200	FR4400	FR2400	FR600	SD600	
Moteur	TENSIONension d'alimentation (CC/CA)	12 VCC			24 VCC		115 VCA, 60 HZ		
	Puissance (HP)	1/4						1/6	
	Ampères (pleine charge)	26	28	26	18	15	2,5		
	Ampères (nominal)	20	19	20	13	10	2,0		
	Vitesse de rotation	2600 tr/min						2000 tr/min	
	Cordon électrique*	Longueur	5,5 m (18 pi)		4,6 m (15 pi)	5,5 m (18 pi)		Non fourni	
		AWG	12						
	Cycle d'exploitation		30 minutes (marche), puis 30 minutes (arrêt)						
	Protection thermique (moteur)		Oui						
	Protection de circuit requise		30 A			20 A		15 A	

\*Cordon d'alimentation non fourni dans les modèles à pompe seule

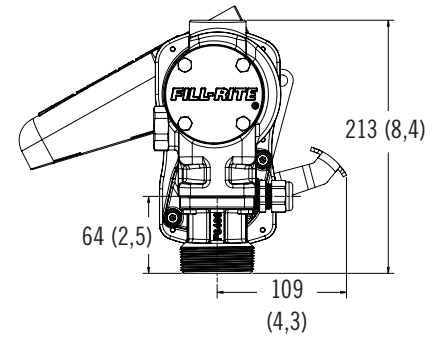
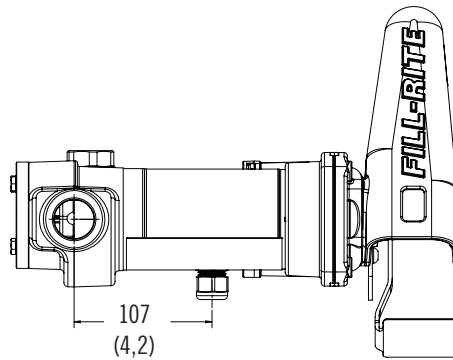
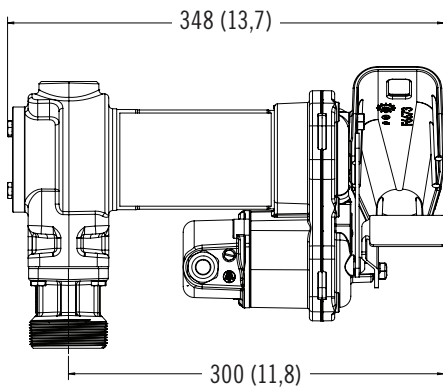
Description		FR1200	FR4200	SD1200	FR4400	FR2400	FR600	SD600	
Pompe	Débit max. (gal/min)	15	20	13	20	15	13		
	Pression de dérivation		1,1 bar (16 PSI)						
	Aspiration sèche minimale		127 mm Hg (5 po Hg)						
	Au niveau de la mer 21,1 °C (70 °F)	Hauteur aspiration	2,4 m (8 pi) maximum						
		Hauteur refoulement	11,3 m (37 pi) maximum						
	Admission		1 po NPT						
	Refoulement		3/4 po NPT*	1 po NPT*	3/4 po NPT*	1 po NPT*	3/4 po NPT*		
	Montage		Bonde d'admission 2 po NPT						
	Garantie		Garantie à vie limitée†		1 an	Garantie à vie limitée†			1 an

† Voir les détails de la garantie en ligne à [fillrite.com](http://fillrite.com)

**FR1200, FR2400, FR4400, FR600, SD1200 et SD600** (dimensions en mm [pouces])



**FR4200** (dimensions en mm [pouces])



**Information sur les modèles série H : FR1200, FR2400, FR4200, FR4400, FR600, SD1200, SD600**

Numéro de modèle	Pistolet	Flexible	Compteur	Tube d'aspiration	Câble d'alimentation électrique	Spécial	Tension	Refoulement	
FR1204H	Modèle à pompe seule						12 Vcc	19,1 mm (3/4 po)	
FR1210H	Manuel	3,7 m (12 pi)		Métal, télescopique, 508 mm à 876 mm (20 po à 34-1/2 po)	12 AWG à 5,5 m (18 pi)				
FR1210HA	Essence automobile	3,7 m (12 pi)							
FR1210HA1	Diesel automobile	3,7 m (12 pi)							
FR1210HARC	Arctique automobile	4,6 m (15 pi)							Joint articulé
FR1210HN									
FR1211H	Manuel	3,7 m (12 pi)	807C						
FR1211HL	Manuel	3,7 m (12 pi)	807CL						
FR1211HLN			807CL						
FR1211HN			807C						
FR1219H	Manuel	3,7 m (12 pi)	TT10AN						
FR1220HDSQ	Diesel automobile	5,5 m (18 pi)							Joint articulé
FR1220HDSFQ	Diesel automobile	5,5 m (18 pi)							Joint articulé Filtre
FR2404H	Modèle à pompe seule						24 Vcc		
FR2410H	Manuel	3,7 m (12 pi)		Métal, télescopique, 508 mm à 876 mm (20 po à 34-1/2 po)	12 AWG à 5,5 m (18 pi)				
FR2411H	Manuel	3,7 m (12 pi)	807C						
FR2411HL	Manuel	3,7 m (12 pi)	807CL						
FR4204H	Modèle à pompe seule						12 Vcc	25,4 mm (1 po)	
FR4210H	Manuel	3,7 m (12 pi)		Métal, télescopique, 508 mm à 876 mm (20 po à 34-1/2 po)	12 AWG à 5,5 m (18 pi)				
FR4210HARC	Arctique automobile	6,1 m (20 pi)							Joint articulé
FR4210HB	Très haut débit	3,7 m (12 pi)							
FR4210HD	Diesel automobile	3,7 m (12 pi)							
FR4210HDS	Diesel automobile	3,7 m (12 pi)							Joint articulé
FR4210HBFQ	Très haut débit	5,5 m (18 pi)				10 AWG à 7,6 m (25 pi) avec pinces			Filtre
FR4210HN						12 AWG à 5,5 m (18 pi)			
FR4211H	Manuel	3,7 m (12 pi)	901C						
FR4211HL	Manuel	3,7 m (12 pi)	901CL						
FR4211HLN			901CL						
FR4211HN			901C						
FR4219H	Manuel	3,7 m (12 pi)	TT10AN						
FR4220HDSQ	Diesel automobile								Joint articulé
FR4220HDSFQ	Diesel automobile								Joint articulé Filtre

**Information sur les modèles série H : FR1200, FR2400, FR4200, FR4400, FR600, SD1200, SD600 (suite)**

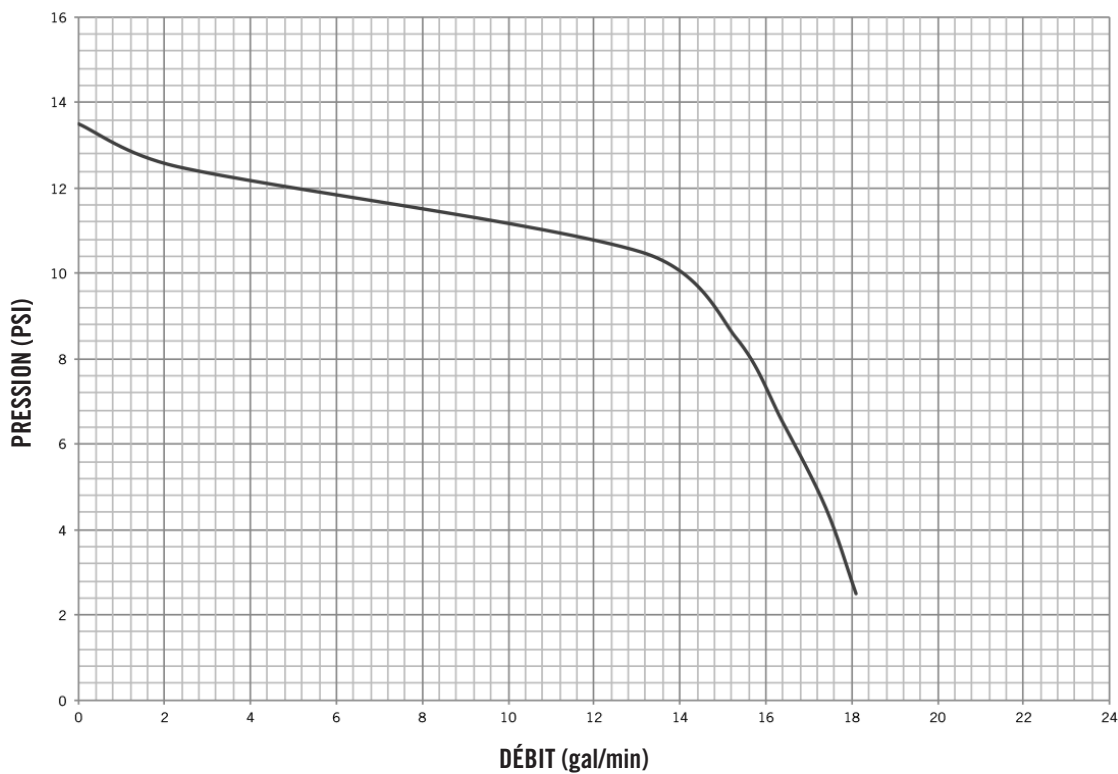
Numéro de modèle	Pistolet	Flexible	Compteur	Tube d'aspiration	Câble d'alimentation électrique	Spécial	Tension	Refoulement
FR4406H	Modèle à pompe seule						24 Vcc	
FR4410H	Manuel	3,7 m (12 pi)		Métal, télescopique, 508 mm à 876 mm (20 po à 34-1/2 po)	12 AWG à 5,5 m (18 pi)			
FR604H	Modèle à pompe seule						115 Vca	19,1 mm (3/4 po)
FR610H	Manuel	3,7 m (12 pi) UL		Métal, télescopique, 508 mm à 876 mm (20 po à 34-1/2 po)				
FR610HA	Essence automobile	3,7 m (12 pi) UL						
SD1202H	Manuel	3,0 m (10 pi)		PVC, 387 mm à 743 mm (15-1/4 po à 29-1/4 po)	12 AWG à 4,6 m (15 pi)	12 Vcc		
SD1202HA	Essence automobile	3,0 m (10 pi)			12 AWG à 4,6 m (15 pi)			
SD602H	Manuel	3,7 m (12 pi) UL		PVC, 387 mm à 1099 mm (15-1/4 po à 43-1/4 po)		115 Vca		

**Information sur les modèles série HE : FR1200E, FR2400E, FR4200E, FR4400E**

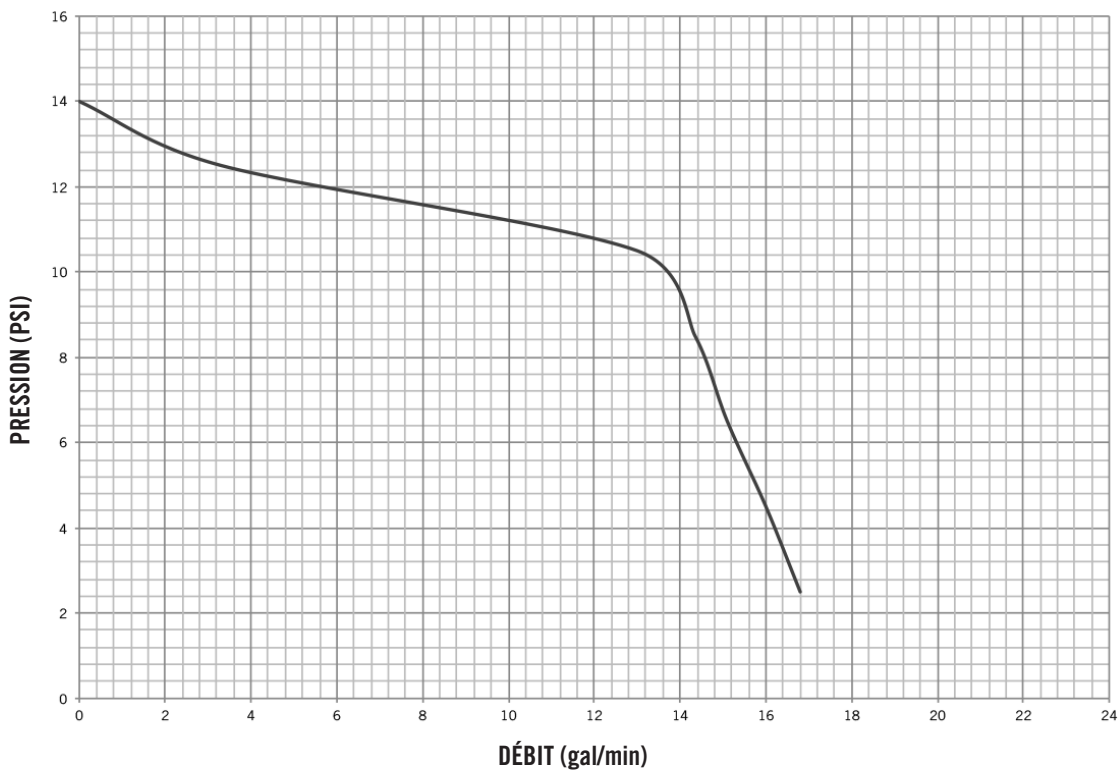
Numéro de modèle	Pistolet	Flexible	Compteur	Tube d'aspiration	Câble d'alimentation électrique	Tension	Refoulement	
FR1205HE	Modèle à pompe seule						12 Vcc	19,1 mm (3/4 po)
FR1210HE	Manuel	3,7 M (12 PI) UL		Métal, télescopique, 508 MM À 876 MM (20 PO À 34-1/2 PO)	12 AWG à 5,5 m (18 pi)			
FR1210HEA	Essence automobile	3,7 M (12 PI) UL						
FR1211HEL	Manuel	3,7 M (12 PI) UL	807CL					
FR1211HELA	Essence automobile	3,7 M (12 PI) UL	807CL					
FR2405HE	Modèle à pompe seule						24 Vcc	
FR2410HE	Manuel	3,7 M (12 PI) UL		Métal, télescopique, 508 MM À 876 MM (20 PO À 34-1/2 PO)	12 AWG à 5,5 m (18 pi)			
FR2410HEA	Essence automobile	3,7 M (12 PI) UL						
FR2411HEL	Manuel	3,7 M (12 PI) UL	807CL					
FR2411HELA	Essence automobile	3,7 M (12 PI) UL	807CL					
FR4205HE	Modèle à pompe seule						12 Vcc	25,4 mm (1 po)
FR4210HE	Manuel	3,7 M (12 PI) UL		Métal, télescopique, 508 MM À 876 MM (20 PO À 34-1/2 PO)	12 AWG à 5,5 m (18 pi)			
FR4210HEB	Très haut débit	3,7 M (12 PI) UL						
FR4210HEBL	Très haut débit	3,7 M (12 PI) UL	901CL					
FR4211HEL	Manuel	3,7 M (12 PI) UL	901CL					
FR4405HE	Modèle à pompe seule						24 Vcc	



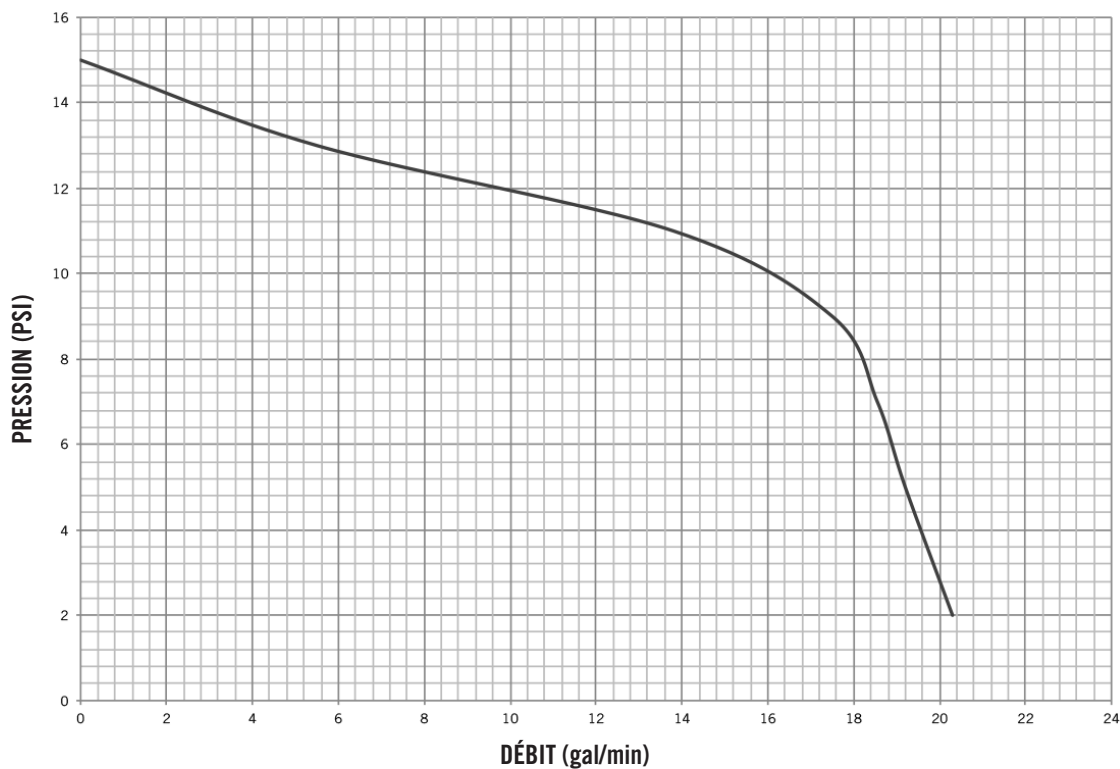
***Courbe caractéristique série 1200***



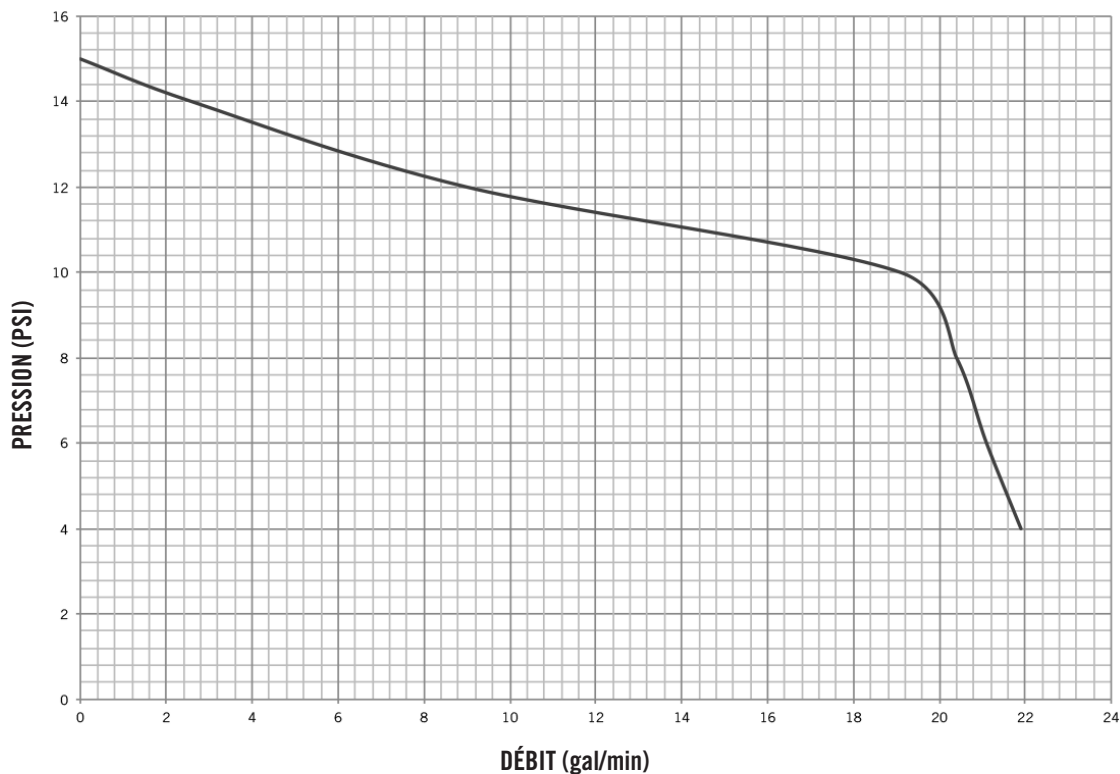
***Courbe caractéristique série 2400***



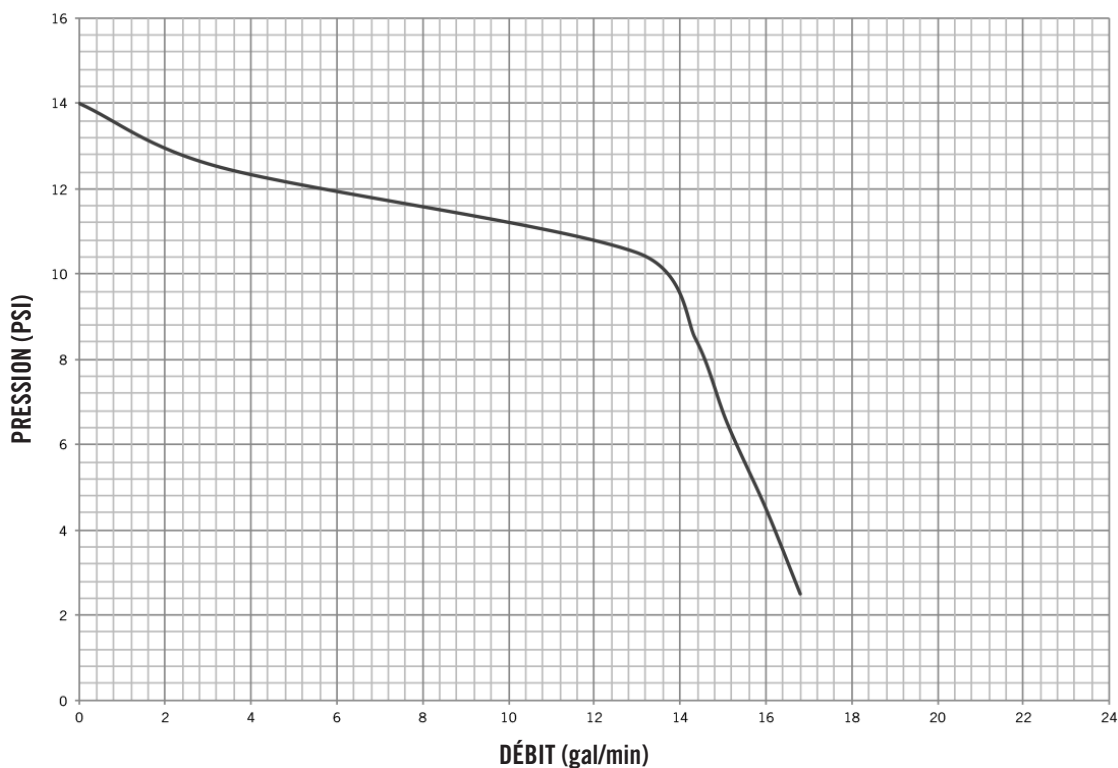
***Courbe caractéristique série 4200***



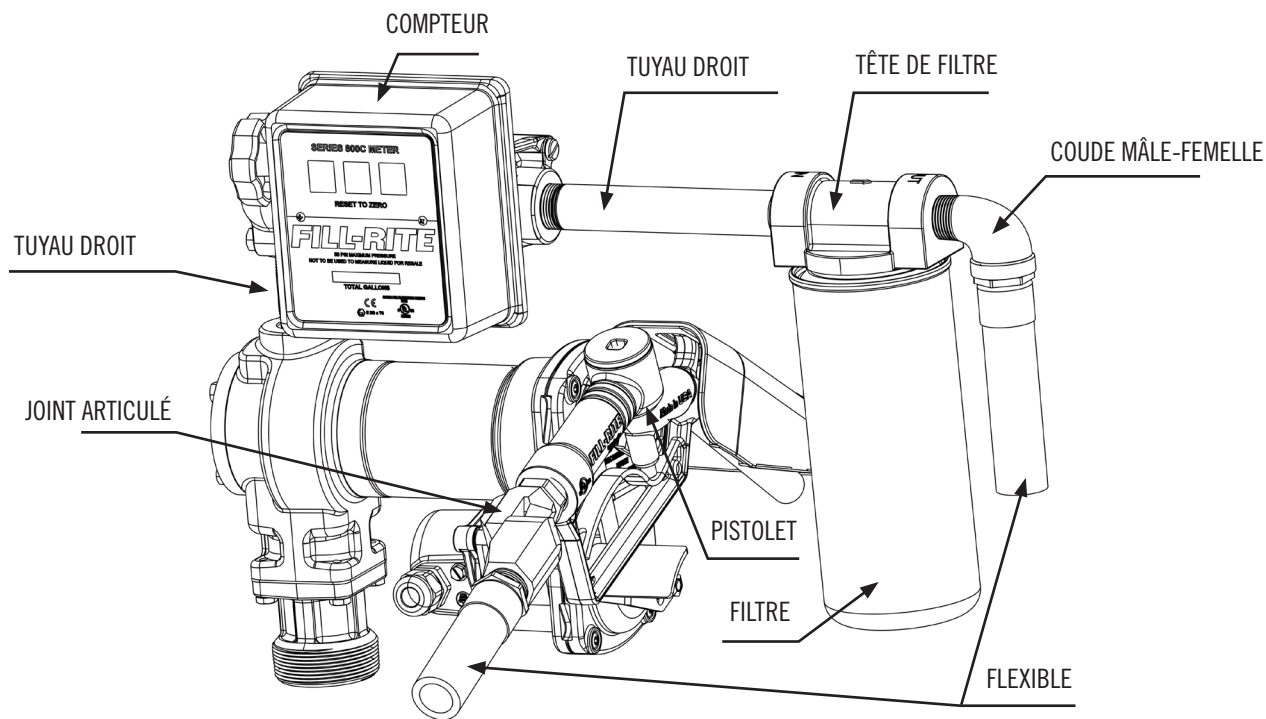
***Courbe caractéristique série 4400***



**Courbe caractéristique série 600**



**Accessoires**

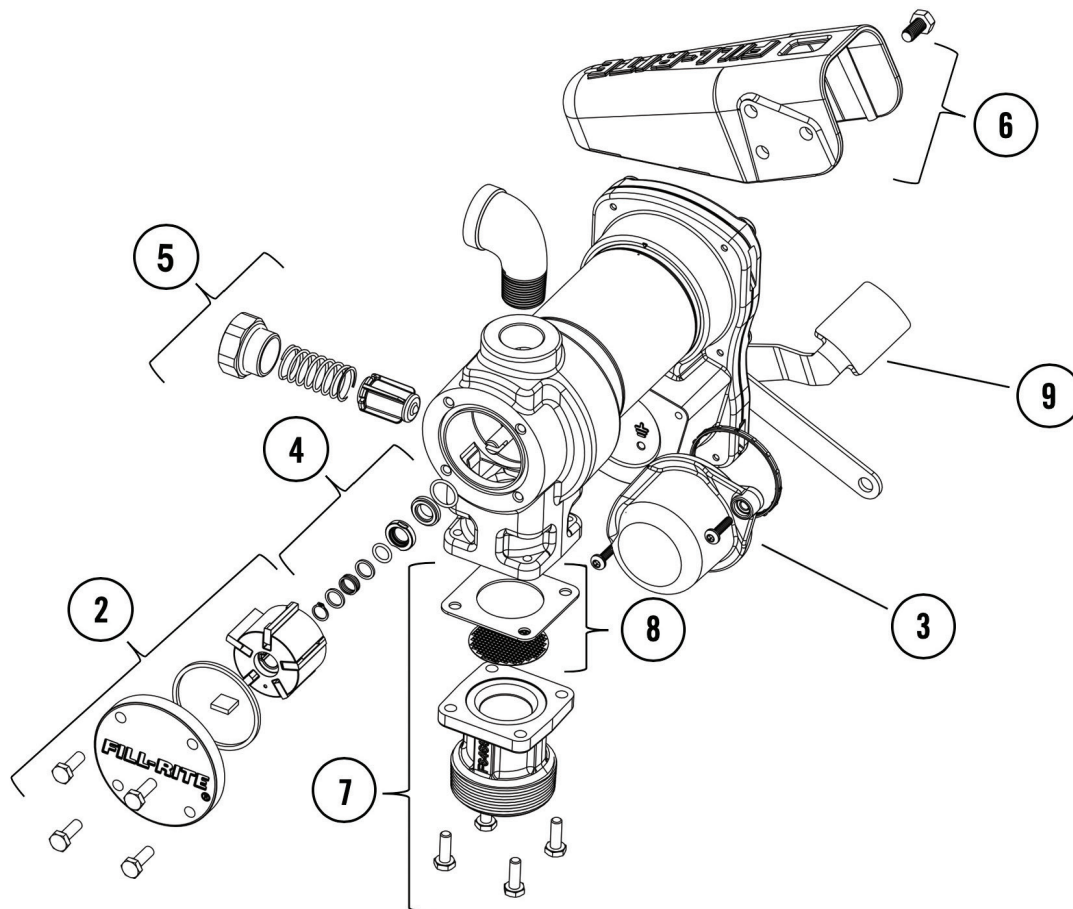


Configuration correcte des accessoires

**Accessoires (suite)**

Accessoire	Série		Diamètre de refoulement		Remarques
			19,1 mm (3/4 po)	25,4 mm (1 po)	
Pistolet	Manuel		FRHMAN075S	FRHMN1005	Essence/diesel
	Automatique	Haut débit	N075UAU10	N100DAU12	Gaine rouge
			N075DAU10	N100DAU12G	Gaine verte
		Arctique	FRNA075DAU10	FRNA100DAU00	Temp froid (-40 °C/°F)
		Très haut débit			N100DAU13
				N100DAU13G	Gaine verte
			N100DAU13Y	Gaine jaune	
Flexible	3,7 m (12 pi), homologué UL		700F3135	300F7773	Compatible avec essence, diesel, kérosène et huiles de pétrole
	3,7 m (12 pi)		FRH07512	FRH10012	
	4,3 m (14 pi)		FRH07514	FRH10014	
	6,1 m (20 pi)		FRH07520	FRH10020	
Compteur	Mécanique	3028 l/min (800 gpm)	807CMK		Gallons
			807CLMK		Litres
		3407 l/min (900 gpm)		901CMK4200	Gallons
				901CLMK4200	Litres
	Numérique	3407 l/min (900 gpm)		900CD	Programmable
				900CDP	Programmable à émetteur d'impulsions intégré
		TT		TT10AB	BSPP, aluminium
				TT10ABC	BSPP, nickelé
			TT10AN	NPT, aluminium	
			TT10ANC	NPT, nickelé	
Joint articulé	Multiplan		S075H1314	S100H1315	Rotation sur 360°
Filtre	Têtes		1200KTG9075 (filtres F18)	700ACCF7017 (filtres F40)	Compatible essence/diesel
	Particules		F1810PMO (10 microns / 18 gal/min)	F4010PMO (10 microns / 40 gal/min)	
				F4030PMO (30 microns / 40 gal/min)	
	Hydrosorb		F1810HMO (10 microns / 18 gal/min)		

**Trousse d'entretien de pompe**



N°	Trousse	Description	Pièces
1	KIT120BD*	Trousse biodiesel	Joint torique, joints d'entrée et de capuchon de dérivation, clapet de soupape de dérivation
2	KIT120RGG	Trousse rotor et palettes	Capot de rotor, rotor, palettes, clavette de rotor, joint torique, visserie de fixation
3	KIT120JCH	Trousse couvercle de boîte de jonction	Couvercle de boîte de jonction, joint, visserie
4	KIT120SL	Trousse de joints	Joint torique, joints d'arbre, jonc d'arrêt
5	KIT120BV	Trousse soupape de dérivation	Soupape de dérivation, ressort de soupape, capuchon de dérivation, joint torique
6	KIT120NB	Trousse gaine de pistolet	Gaine de pistolet, visserie de fixation
7	KIT120BG	Trousse bride d'admission	Bride d'admission (bonde), visserie de fixation, joint d'admission, tamis
8	KIT120SG	Joint d'admission et tamis	Joint d'orifice d'admission (bonde) et tamis
9	KIT120SWH	Trousse levier de commutation	Levier de commutation, visserie de fixation

\*KIT120BD non identifié dans l'illustration ci-dessus

## Homologations de sécurité

Les pompes de la gamme Fill-Rite ont été soumises à des essais de sécurité à des fins de conformité réglementaire. Cette famille de produits est homologuée par Underwriters Laboratories (UL).



## Information sur la plaque du moteur

La plaque du moteur de la pompe Fill-Rite contient des données techniques et opérationnelles importantes. S'assurer que cette plaque reste toujours en place sur la pompe.

<b>FILL-RITE</b>		MADE IN U.S.A. LB002540-009
STYLE R 2800HE	EXPLOSION-PROOF MOTOR	12 VOLTS DC
55°C RISE	30 MIN. DUTY	1/4 HP
ENTRY THREADS ARE M20X 1.5 6H		CAUTION - MOTOR HAS AUTOMATIC RESET THERMAL PROTECTOR
		2809
Segurance IEx I INMETRO IECEx FMG19.0013X Ex db IIA T6 Gb EAC Ex db IIA T6 Gb MTSATEX0019X		

**FILL-RITE**  
A GORMAN-RUPP COMPANY

Fill-Rite Company  
8825 Aviation Drive  
Fort Wayne, Indiana 46809 USA

P 1 (800) 720-5192  
(+01) 260-747-7524  
F (800) 866-4681



fillrite.com | soteracom | gormanrupp.com

# FILL-RITE®

## BOMBAS DE TRANSFERENCIA DE COMBUSTIBLE SERIE H

Manual de instalación y operación  
FR1200, FR2400, FR4200, FR4400, FR600, SD1200, SD600



MADE IN  
**USA**   
WITH GLOBAL MATERIALS

**GR**  
GORMAN-RUPP  
COMPANY

**Contenido**

Política de garantía limitada ..... 2

Acerca de este manual ..... 2

Símbolos y definiciones ..... 3

Antes de comenzar ..... 3

Información de seguridad ..... 4

Instalación ..... 5

Instrucciones de cableado de 12 V CC y 24 V CC..... 7

Instrucciones de cableado de 115 V CA.....10

Instrucciones de operación .....12

Seguridad .....12

Solución de problemas.....12

Especificaciones y modelos ..... 14

Curvas de rendimiento.....17

Accesorios ..... 19

Kits de mantenimiento de la bomba.....21

Certificaciones .....22

Etiqueta del motor .....22

**¡Gracias!**

Gracias por su lealtad con la marca Fill-Rite® de bombas de transferencia de combustible. Su seguridad es importante, por eso lea y entienda completamente los procedimientos expuestos en este manual. Además, guarde estas instrucciones para futura referencia y registre el modelo, número de serie y fecha de compra de su bomba de transferencia de combustible. Protéjase y proteja a quienes lo rodean y acate todas las instrucciones de seguridad y respete todos los símbolos de peligro, advertencia y precaución. Registre su producto Fill-Rite® en [info.fillrite.com/product\\_registration](http://info.fillrite.com/product_registration)

**POLÍTICA DE DEVOLUCIÓN IMPORTANTE**

**No devuelva este producto a la tienda.** Para todas las preguntas sobre garantía y productos, comuníquese con Servicio al Cliente de Fill-Rite al 1 (800) 720-5192 (lunes a viernes, 8 a. m. a 5 p. m., hora estándar del este u horario de verano del este).

N.º DE MODELO	
N.º DE SERIE	
FECHA DE COMPRA:	



**Política de garantía limitada**

Fill-Rite Company garantiza que los productos manufacturados no presentarán defectos de materiales ni de fabricación. Puede encontrar detalles específicos de las garantías para productos individuales en [fillrite.com](http://fillrite.com).



**Las bombas de transferencia de combustible de la serie H tienen las siguientes características**

- **Caja de conexiones eléctricas ajustable**  
Gira en 180 grados para facilitar la instalación del cableado eléctrico en lugares estrechos, sin importar la ubicación del tapón de entrada
- **Palanca del interruptor de encendido confiable para trabajo pesado**  
Tope de fundición metálica que soporta el uso intensivo en los entornos más difíciles
- **Defensa con barra de bloqueo**  
La barra alargada simplifica el proceso de colocación de candados para evitar robos
- **Reducción de peso centrada de los componentes**  
Conserva el rendimiento para trabajo pesado que se espera, mientras mejora la facilidad de la instalación
- **Blindaje de pintura premium**  
Ejemplar barrera resistente a la corrosión para una mayor vida útil en el campo
- **Motor protegido térmicamente**  
Evita el sobrecalentamiento para garantizar la máxima vida útil del motor
- **Tubería telescópica metálica de succión de entrada\***  
Ajustable de 508 mm (20 pulg.) a 864 mm (34 pulg.) de largo, lo que permite la instalación universal en una variedad de tamaños y formas de tanques  
\*No se incluye con los modelos SD
- **Protección del filtro de entrada**  
Protege la bomba mediante el bloqueo de partículas que se crean por la contaminación
- **Certificaciones:** UL, cUL

**Acerca de este manual**

Desde el concepto y el diseño inicial hasta el producto final, su bomba de transferencia de combustible Fill-Rite se fabrica para proporcionarle años de servicio sin ningún problema. Para garantizar su seguridad y la de quienes lo rodean, resulta crucial que lea este manual en su totalidad antes de intentar instalar u operar su nuevo producto. Instamos encarecidamente a que cualquier instalador u operador se familiarice con los términos, diagramas y datos técnicos en este manual y que preste especial atención a los símbolos de advertencia y las definiciones. En Fill-Rite, su satisfacción con nuestros productos es primordial. Si tiene cualquier duda o necesita asistencia con nuestros productos, comuníquese con nosotros al 1 (800) 720-5192 (lunes a viernes de 8:00 a. m. a 5:00 p. m., hora estándar del este u horario de verano del este).

**Símbolos y definiciones**

<b>PELIGRO</b>	Indica una situación peligrosa que, si no se evita, provocará la muerte o lesiones graves.
<b>ADVERTENCIA</b>	Indica una situación peligrosa que, si no se evita, podría provocar la muerte o lesiones graves.
<b>PRECAUCIÓN</b>	Indica una situación peligrosa que, si no se evita, podría provocar lesiones moderadas o menores.
<b>AVISO</b>	Indica información que se considera importante, pero que no está directamente relacionada con peligros.

**Antes de comenzar**

**Requisitos de combustible**

Los modelos Fill-Rite FR1200, FR2400, FR4200, FR4400, FR600 así como los SD1200 y SD600 están diseñados y aprobados para ser usados con los siguientes líquidos inflamables y combustibles: gasolina y mezclas de gasolina hasta 15 % o E15, diésel, mezclas de biodiésel hasta 20 % o B20, keroseno y alcoholes minerales. Tome todas las precauciones que sean necesarias cuando manipule líquidos inflamables.

**Requisitos de la fuente de alimentación**

Según el modelo de Fill-Rite, la potencia de las líneas de suministro eléctrico será de 12 V CC, 24 V CC o 115 V CA. La placa de identificación del motor de la bomba ubicada junto a la palanca del interruptor proporcionará información eléctrica detallada. Consulte las instrucciones eléctricas correspondientes que se encuentran a partir de la **Página 7** (alimentación de CC) o la **Página 10** (alimentación de CA).

**Elementos que pueden ser necesarios para la instalación:**

Llave inglesa para tubos de acero de 14 a 24 pulg., llave de extremo abierto o dado (7/16 pulg., 11 mm), destornillador Torx T-25, cuchillo multiusos, esmeriladora angular o sierra cortametales (opcional), tenazas, pelacables o pinzas crimpeadoras y sellador de roscas (opcional).

*Nota: Fill-Rite proporciona cinta de Teflon® para todos los modelos que se indican en la **Página 16**.*

**Información de seguridad**

Para garantizar una instalación segura y una operación adecuada de los equipos, lea, comprenda y acate todas las señales de PELIGRO, ADVERTENCIA, PRECAUCIÓN y otros AVISOS.

**PELIGRO**

Jamás fume en las cercanías o en torno a un tanque de combustible o una bomba de transferencia. Se producirá un incendio si hay llamas abiertas o chispas cuando se bombea un líquido inflamable. Un cableado eléctrico incorrecto o una instalación incorrecta producirá lesiones graves o la muerte.

**ADVERTENCIA**

El cableado eléctrico SOLO lo debe realizar un electricista con licencia que cumpla los códigos de electricidad locales, estatales y nacionales NEC/ANSI/NFPA 30, NFPA 30A y NFPA 70, según corresponda para el uso que se le dará a la bomba de transferencia de combustible Fill-Rite.

Se deben utilizar conductos rígidos roscados, conectores sellados y sellos de conductor donde corresponda y según lo que definan estos códigos.

Este producto debe estar conectado adecuadamente o con conexión a tierra para evitar la acumulación de electricidad estática cuando se manipulan productos inflamables. La descarga estática puede encender vapores que provocan lesiones graves o la muerte.

Las bombas Fill-Rite no son adecuadas para su uso con agua o líquidos previstos para consumo humano. No la use para suministrar combustible a aeronaves.

Para minimizar la acumulación de electricidad estática, siempre mantenga la boquilla en contacto con el recipiente que se llena en todo momento durante el proceso de despacho. Utilice solo manguera conductora de cableado estático cuando bombee líquidos inflamables.

Una instalación mecánica incorrecta o el uso incorrecto producirá lesiones graves o la muerte.

**PRECAUCIÓN**

Las juntas de tuberías roscadas y las conexiones se deben obturar con un sellador adecuado o cinta selladora para evitar fugas.

Todos los modelos de bomba Fill-Rite están equipados con protección de sobrecarga térmica mediante la cual el motor se apagará para evitar daños por calor. Si una sobrecarga térmica apaga el motor, gire la palanca del interruptor a la posición APAGADO. Una vez que se haya enfriado lo suficiente el motor, gire la palanca del interruptor a la posición ENCENDIDO para reanudar la transferencia de combustible.

Algunos modelos Fill-Rite se reiniciarán automáticamente si la palanca del interruptor no está en la posición APAGADO una vez que se restablezca el protector térmico. Como buena práctica, le sugerimos siempre colocar la palanca del interruptor en la posición APAGADO cuando el motor se sobrecalienta.

**AVISO**

Se debería usar un filtro en la salida de la bomba para evitar la contaminación en el vehículo o el tanque de combustible del equipo. Recomendamos los filtros Fill-Rite para obtener mejores resultados.

Para evitar que se desplacen o vuelquen los tanques de almacenamiento de combustible, consulte las pautas del fabricante de los tanques para realizar el anclaje adecuado.

**Instalación**

Su bomba Fill-Rite está diseñada para instalarse en un tanque de combustible mediante una brida de entrada roscada que se proporciona con la bomba. En el Diagrama 1 y 2 se muestran las instalaciones típicas. Su bomba cuenta con una válvula de recirculación integral que vuelve a circular el líquido cuando la bomba funciona con la boquilla cerrada.

**PRECAUCIÓN**

No utilice válvulas de retención o de contención adicionales, a menos que estas tengan incorporada una válvula de alivio de presión adecuada. Tenga en cuenta que las válvulas de retención adicionales reducirán los rangos de flujo.  
 Se puede utilizar una tapa de llenado para la retención de presión, con el fin de reducir la pérdida de combustible por evaporación.  
 Las juntas de tuberías roscadas y las conexiones se deben obturar con el sellador adecuado para evitar fugas.  
 Tenga precaución para evitar que la rosca se dañe durante la instalación, lo que puede provocar daños en una o ambas bridas de entrada, así como en el tapón del tanque de almacenamiento.

**AVISO**

En todas las aplicaciones de tanque, asegúrese de que el tanque esté correctamente instalado y fijo de acuerdo con las pautas del fabricante.

**Tanque fijo**

En el caso de los tanques fijos de combustible, la bomba se monta en el tapón del tanque por medio de la brida de entrada de la bomba. Dados los diferentes tamaños de los tanques fijos de combustible, podría ser necesario una tubería de succión o de entrada personalizada. Recomendamos una tubería de hierro negro NPT de 1 pulg. que se extienda hasta una longitud de al menos 25 a 51 mm (1 a 2 pulg.) desde el fondo del tanque, con el fondo de la tubería cortado en un ángulo de entre 30 y 45 grados para un mejor flujo.

Un tanque fijo se debe equipar con una tapa de ventilación. (Diagrama 1)

**Tanque móvil**

En el caso de los tanques móviles de combustible, la bomba se monta en el tapón del tanque por medio de la brida de entrada de la bomba.

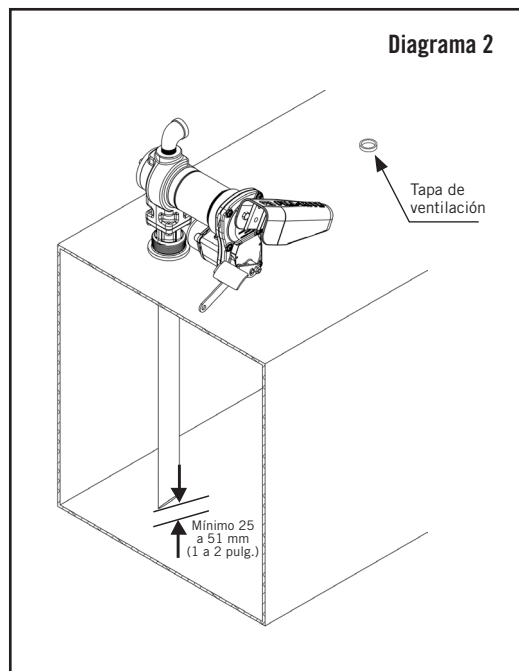
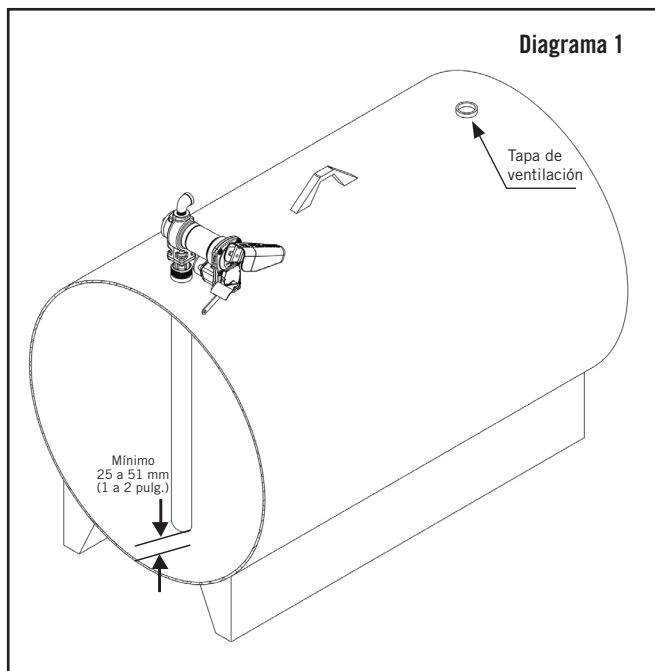
**Para la tubería de succión telescópica de acero**

Permita que la tubería telescópica se extienda totalmente hasta el fondo del tanque.

**Para la tubería de succión personalizada o de PVC**

Para evitar penetrar el tanque, recomendamos dejar un espacio mínimo de 25 a 51 mm (1 a 2 pulg.) entre el extremo de la tubería y el fondo del tanque. También recomendamos cortar la tubería de succión en un ángulo de 30 a 45 grados para un mejor flujo.

El tanque móvil se debe equipar con una tapa de ventilación. (Diagrama 2)



**Procedimiento de instalación**

**Paso 1:** (Opcional) Retiro de la brida de entrada

Suelte los (4) pernos de 1/4 pulg. con una llave o dado de 7/16 pulg. Retire el tapón de entrada de la bomba, conserve los pernos, la rejilla y la junta.

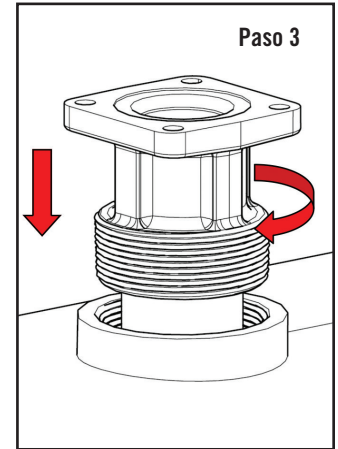
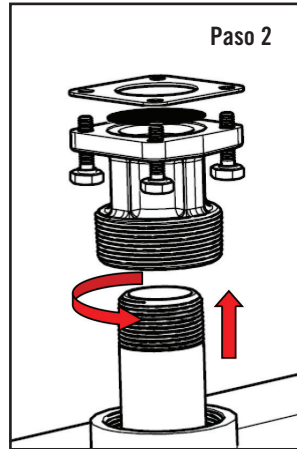
**Paso 2:** Con la tubería de succión que se incluye o con una tubería personalizada, enrosque la tubería en el tapón de entrada 1,5 a 2,5 vueltas con una llave inglesa después de apretar con la mano. Use el sellador adecuado para la transferencia de combustible.

**Paso 3:** Enrosque el tapón de entrada con la tubería de succión instalada en el tanque 1,5 a 2,5 vueltas después de apretar con la mano. Use el sellador adecuado para la transferencia de combustible.

**Paso 4:** (Solo si se utiliza el Paso 1) Coloque la rejilla en la cavidad del tapón de entrada, monte la junta y luego coloque la bomba en el tapón del tanque. Alinee los orificios e inserte (4) pernos de 1/4 pulg. y apriete con una llave de 7/16 pulg. a un mínimo de 4,5 Nm (40 lb-pulg.).

**Paso 5:** Saque (2) tornillos T-25 para retirar la cubierta de la caja de conexiones y ubique los cables. Voltaje de CC: 2 cables, negro y rojo; voltaje de CA: 3 cables, negro, rojo y verde que están conectados al tornillo de conexión a tierra interno. Asegúrese de que la junta permanezca en su lugar cuando vuelva a instalar la caja de conexiones.

**Paso 6:** Pase los cables desde la fuente de alimentación a través de la abertura NPT hacia el interior de la caja de conexiones. Para los modelos de CC, use el conector de cable negro\*. Para los modelos de CA, instale el conducto directamente a la abertura NPT†.



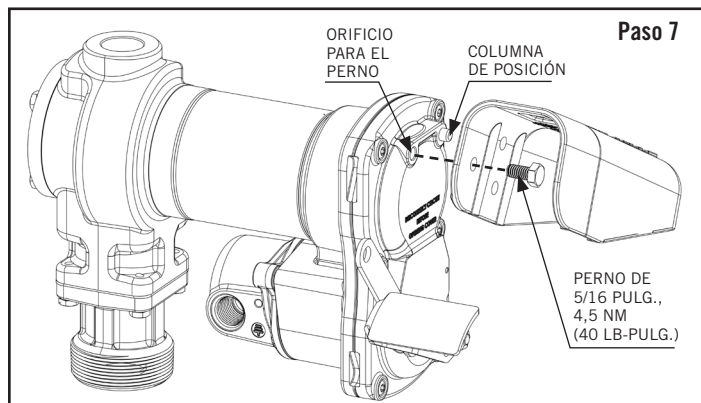
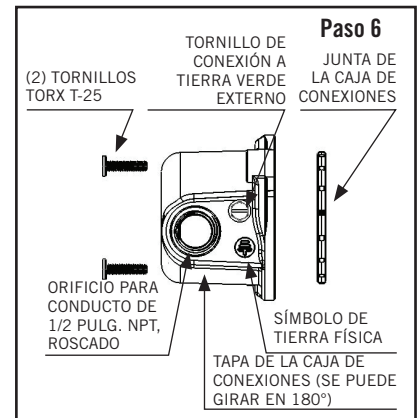
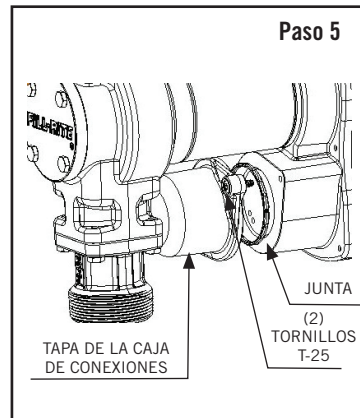
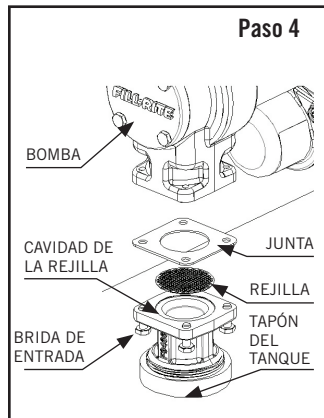
\* El conector rápido del cable negro solo se incluye con los modelos de CC

† 1/2 pulg. NPT hacia el conector rápido del cable, conector de bronce conforme a ATEX en modelos HE

**Paso 7:** La envoltura de la boquilla está instalada en la placa del interruptor con (1) perno de 5/16 pulg. apretado a 4,5 Nm (40 lb-pulg.). La envoltura de la boquilla tiene dos lugares de ubicación.

**AVISO**

Mantenga una separación mínima de 25 a 51 mm (1 a 2 pulg.) entre el extremo de la tubería y el fondo del tanque.



**Instrucciones de cableado de 12 V CC y 24 V CC**

**Bomba de transferencia de CC series FR1200 / FR2400 / FR4200 / FR4400 / SD1200**

**⚠ PELIGRO**

El cableado eléctrico SOLO lo debe realizar un electricista con licencia que cumpla los códigos de electricidad locales, estatales y nacionales (NEC/ANSI/NFPA 30, NFPA 30a y NFPA 70), según corresponda para el uso que se le dará a la bomba. Se deben utilizar conductos rígidos roscados, conectores sellados y sellos de conductor donde corresponda. La bomba debe estar debidamente conectada a tierra. La instalación o el uso incorrectos de esta bomba pueden provocar lesiones corporales graves o la muerte.

No conecte la energía positiva o negativa al tornillo o cable verdes de conexión a tierra, ya que esto podría provocar un incendio.

No intente encender la bomba por medio de un cable del vehículo de calibre inferior a 12 AWG, como el cable del encendedor de cigarrillos, ya que estos cables delgados se pueden sobrecalentar y provocar un incendio.

Para consultas sobre cableado a interruptores de accesorios del mercado de repuestos, comuníquese con Servicio al Cliente de Fill-Rite al 1 (800) 720-5192 (lunes a viernes, 8 a. m. a 5 p. m., hora estándar del este u horario de verano del este).

**⚠ PRECAUCIÓN**

Las bombas de combustible de CC Fill-Rite están diseñadas para operar con el voltaje nominal especificado en la placa de identificación. Las series FR1200, FR4200 y SD1200 están clasificadas para un voltaje nominal de 12 V CC, mientras que las series FR2400 y FR4400 lo están para 24 V CC. Independientemente de cuánta potencia de las líneas de suministro se provea (es decir, mediante una batería o línea marcada), Fill-Rite exige que el circuito contenga un fusible para prevenir cortocircuitos eléctricos. En el caso de 12 V CC, se necesita un fusible de 30 amperios, mientras que para el de 24 V CC, uno de 20 amperios.

La caída de voltaje en el cableado variará según la distancia desde la batería hasta la bomba y el calibre del cable que se usa. Si la distancia es mayor que el cable de alimentación\* de 12 AWG y 5,5 m (18 pies), consulte los códigos eléctricos locales, estatales y nacionales para asegurarse de que el cable sea del tamaño correcto para esta aplicación.

El siguiente cuadro debe usarse como referencia y no es un sustituto para los códigos eléctricos:

Distancia lineal máxima en metros (pies) de longitud de cable de cobre trenzado por calibre				
10	8	6	4	2
8,2 m (27 pies)	13,4 m (44 pies)	21 m (69 pies)	33,5 m (110 pies)	53,3 m (175 pies)

\*El cable de alimentación de 12 AWG no se suministra con los modelos solo de bomba

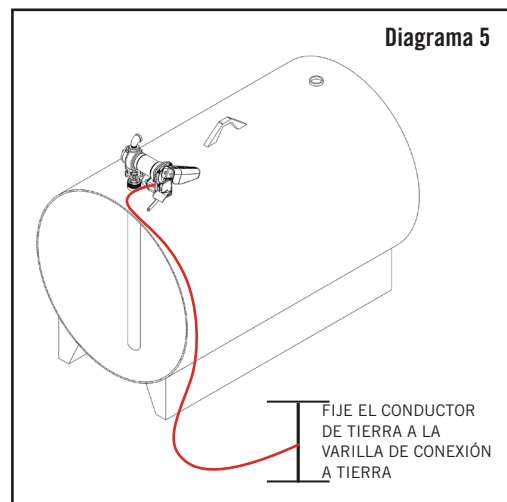
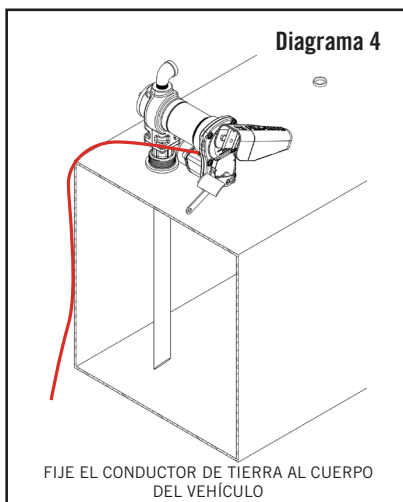
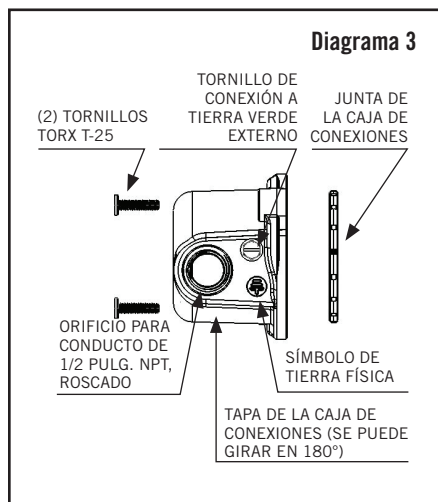
**AVISO**

El unión eléctrico es el proceso de conectar piezas metálicas, como un tanque de almacenamiento de combustible o una bomba de transferencia que pueden estar expuestos a fallas eléctricas, con un conductor de conexión a tierra para asegurar una trayectoria de baja resistencia a tierra. El empalme también proporciona una trayectoria para la electricidad estática y voltajes inducidos para drenarlos por la trayectoria de conexión a tierra. La manera más frecuente de unir es con un cable de cobre.

Si la intención es operar una bomba de transferencia de combustible de 12 V o 24 V CC desde un suministro de energía diferente al sistema de batería de un vehículo, comuníquese con Servicio al Cliente de Fill-Rite al 1 (800) 720-5192 (lunes a viernes, 8 a. m. a 5 p. m., hora del este u horario de verano del este).

### Instrucciones antes de proceder con el cableado de CC

La bomba se debe unir eléctricamente al bastidor de un vehículo en el caso de los tanques móviles o a una varilla de conexión a tierra en el caso de los tanques fijos. Para unir eléctricamente la bomba para una aplicación móvil, retire el tornillo externo de unión verde instalado en fábrica que se encuentra en la cubierta de la caja de conexiones (Diagrama 3). Inserte este tornillo a través del ojal del conjunto de cable de unión verde que se proporciona y vuelva a apretarlo firmemente a la caja de conexiones. Se debe quitar el aislamiento del otro extremo del cable y se debe conectar firmemente el lado sin conexión al bastidor del vehículo o remolque para uso dentro o fuera de la carretera para tanques móviles (Diagrama 4). Para unir con tanques fijos, fije un conductor de tierra a una varilla de conexión a tierra y al tanque mismo (Diagrama 5). La distancia podría ser mayor que el cable de conexión a tierra suministrado.



### Instrucciones de cableado de CC

1. Retire la cubierta de la caja de conexiones eléctricas de la bomba y enderece el cable rojo y negro.
2. Atornille el conector de cable provisto en la abertura para el conducto NPT de 1/2 pulg. en la caja de conexiones.
3. Quite 76 mm (3 pulg.) de la cubierta externa de un extremo del cable de suministro eléctrico provisto.\* Tenga cuidado de no dañar el aislamiento del cable negro y rojo.
4. Suelte la tuerca de conexión del cable y pase el extremo sin protección del cable provisto a través del conector. Apriete la tuerca de conexión del cable.
5. Quite 13 mm (1/2 pulg.) del aislamiento de los extremos de los cables rojo y negro. Con las tuercas para cables que se proporcionan, conecte los cables a los cables de la bomba respetando los colores.  
**IMPORTANTE:** asegúrese de que ningún cable sin protección quede expuesto.
6. Pliegue los cables en la caja de conexiones y reemplace. Asegúrese de que la junta de la cubierta esté en su lugar. Asegúrese de que todos los tornillos estén bien puestos de modo que no haya espacio entre la cubierta y la caja de conexiones (consulte el Paso 6 en la **Página 6**).

\*El cable de 12 AWG no se suministra con los modelos solo de bomba

### Cableado del tanque móvil a un sistema eléctrico de un vehículo

1. Antes de realizar la instalación eléctrica, coloque la palanca del interruptor en la posición OFF (Apagado) para prevenir derrames accidentales una vez que se conecte la energía al motor.
2. Pase los cables eléctricos a la fuente del sistema de energía del vehículo; afirme los cables según sea necesario y protéjalos de los bordes afilados, el calor y todo lo que pudiera causar daños.
3. Para determinar si el sistema eléctrico de un vehículo tiene conexión a tierra negativa (-) o positiva (+), revise la marca del terminal que está conectado al bastidor del vehículo o al bloque motor. El cable rojo de la bomba se conectará al borne positivo de la batería y el cable negro de la bomba se conectará al borne negativo de la batería. Estas instrucciones se concentran en sistemas de conexión a tierra negativa COMUNES. Los sistemas positivos POCO COMUNES son casos que ocurren con muy poca frecuencia. Consulte el dibujo en la **Página 9** para obtener información sobre los sistemas de conexión a tierra positiva.
4. Fill-Rite exige instalar un portafusible y un fusible (no provistos) para proteger la bomba adquirida. Conecte un extremo del portafusible en el extremo del cable sin conexión a tierra, de manera que se realice una conexión firme. El otro extremo del portafusible se conecta luego al costado no conectado a tierra de la batería, lo más cerca de la batería que sea posible. Con el cable restante de la bomba, realice una conexión eléctrica firme hacia el lado con conexión a tierra de la batería. Se debe utilizar una conexión a los terminales de la batería (no provista por Fill-Rite) para finalizar el circuito eléctrico.
5. Verifique todas las conexiones y asegúrese de que estén conectadas según las instrucciones y conforme a todos los códigos de electricidad. Instale el fusible (fusible de 30 amperios para 12 V CC; fusible de 20 amperios para 24 V CC) en el portafusible correspondiente. Ha finalizado la instalación.

**Cableado del tanque móvil a un sistema no relativo a un vehículo**

Si bien son muy poco frecuentes, hay ocasiones en que una bomba de combustible Fill-Rite de 12 V o 24 V CC no funciona desde el sistema eléctrico de un vehículo. En estos casos, recomendamos llamar a Servicio Técnico de Fill-Rite al 1 (800) 720-5192 (lunes a viernes, 8 a. m. a 5 p. m., hora del este u horario de verano del este) para conversar sobre su situación específica. La mayoría de estas aplicaciones necesitarán equipos que no suministra Fill-Rite. Asimismo, deseamos asegurarnos de que el circuito pueda manejar los requisitos de energía necesarios de la bomba.

**Cableado de tanque fijo**

1. Antes de realizar la instalación eléctrica, coloque la palanca del interruptor en la posición OFF (Apagado) para prevenir derrames accidentales una vez que se conecte la energía al motor.
2. Fill-Rite exige instalar un portafusible y un fusible (no provistos) para proteger la bomba adquirida.
3. Conecte un extremo del portafusible al cable rojo de la bomba, lo más cerca de la batería o fuente de alimentación que sea posible. Realice una conexión firme al terminal positivo de la fuente de energía con el otro extremo del portafusible. Conecte firmemente el cable negro de la bomba al terminal negativo de la fuente de alimentación.
4. Verifique todas las conexiones y asegúrese de que estén conectadas según las instrucciones y conforme a todos los códigos de electricidad.
5. Instale el fusible (fusible de 30 amperios para 12 V CC; fusible de 20 amperios para 24 V CC) en el portafusible correspondiente.
6. Ha finalizado la instalación.

**Sistema de conexión a tierra negativa (común)**

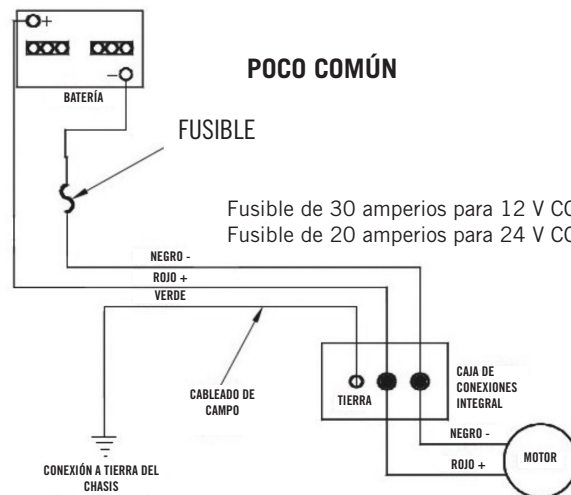
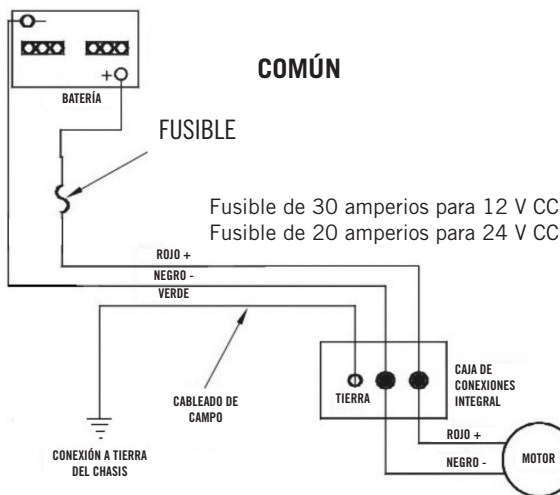
Este sistema eléctrico es común dentro de la mayoría de los vehículos que usan una fuente de alimentación de 12 V CC. En este caso, el terminal positivo de la batería suministra energía a todos los dispositivos como el sistema de encendido. El terminal negativo (-) está conectado al bastidor del vehículo.

El fusible debe estar ubicado fuera del área peligrosa, lo más cerca posible de la fuente de alimentación. Si el cableado de la fuente de alimentación a la bomba es mayor que 5,5 m (18 pies), consulte el Código Eléctrico correspondiente (nacional, internacional o local) para asegurarse de que el cable es del tamaño correcto para la aplicación.

**Sistema de conexión a tierra positiva (poco común)**

Este sistema eléctrico es poco común dentro de la mayoría de los vehículos que usan una fuente de alimentación de 12 V CC. El chasis del vehículo está conectado al terminal positivo (+) de la batería.

El fusible debe estar ubicado fuera del área peligrosa, lo más cerca posible de la fuente de alimentación. Si el cableado de la fuente de alimentación a la bomba es mayor que 5,5 m (18 pies), consulte el Código Eléctrico correspondiente (nacional, internacional o local) para asegurarse de que el cable es del tamaño correcto para la aplicación.



**Instrucciones de cableado de 115 V CA para las bombas de transferencia de combustible de CA FR600 / SD600**

**⚠ PELIGRO**

- Todas las bombas operarán según el voltaje nominal especificado en la placa de identificación.
- Se debe suministrar alimentación de CA hacia la bomba desde un circuito dedicado con protección de circuito de 15 amperios. Este circuito no debe alimentar a ningún otro equipo.
- Los cables deben tener el calibre suficiente para transportar la corriente adecuada para la bomba.
- La caída de voltaje variará con la distancia a la bomba y el calibre del cable. Consulte el National Electrical Code (NEC) o los códigos locales para obtener información sobre la compensación de caídas de voltaje y asegurarse de que está utilizando un cableado del calibre correcto para su aplicación. Los cables de menor tamaño se pueden sobrecalentar y provocar un incendio.
- Asegúrese de que haya una conexión a tierra adecuada para evitar una electrocución.
- Cada motor Fill-Rite está etiquetado como a prueba de explosiones para ubicaciones peligrosas Clase I / División 1. Se recomienda encarecidamente que cualquier reparación la realice un distribuidor autorizado para evitar invalidar la garantía. Es muy importante mantener la integridad a prueba de explosiones del motor y los componentes del sistema.
- El cableado eléctrico SOLO debe realizarlo un electricista con licencia que cumpla los códigos de electricidad locales, estatales y nacionales (NEC/ANSI/NFPA 70, NFPA30 y NFPA 30A), según corresponda para el uso que se le dará a la bomba. La bomba debe estar debidamente conectada a tierra. La instalación o el uso incorrectos de esta bomba pueden provocar lesiones corporales graves o la muerte.

**⚠ ADVERTENCIA**

- El conductor de tierra que viene con el cableado SE DEBE conectar al tornillo de conexión a tierra dentro de la caja de conexiones.

**⚠ PRECAUCIÓN**

La caída de voltaje en el cableado variará según la distancia desde la fuente eléctrica hasta la bomba y el calibre del cable que se usa. Fill-Rite recomienda consultar los códigos eléctricos nacionales, internacionales o locales para asegurarse de que el cable sea del tamaño correcto para su aplicación. El siguiente cuadro debe usarse como referencia y no es un sustituto para los códigos eléctricos.

Distancia lineal máxima en metros (pies) de longitud de cable de cobre sólido y trenzado por calibre								
	AWG	16	14	12	10	8	6	4
Cable	Sólido	11,9 m (39 pies)	18,9 m (62 pies)	30,2 m (99 pies)	48,2 m (158 pies)	76,2 m (250 pies)		
	Trenzado	11,6 m (38 pies)	18,6 m (61 pies)	29,3 m (96 pies)	46,9 m (154 pies)	74,7 m (245 pies)	118,6 m (389 pies)	189,0 m (620 pies)



**Procedimiento de cableado de 115 V CA**

1. Retire la cubierta de la caja de conexiones y enderece los cables para asegurarse de que se puede tener acceso a los extremos de los cables pelados fuera de la caja de conexiones.
2. Instale un conducto rígido y el cableado adecuado desde la fuente de alimentación hasta la caja de conexiones para mantener la integridad a prueba de explosiones.
3. Conecte los cables de la bomba a las tuberías de suministro de energía según el diagrama de cableado. Asegúrese de aislar correctamente las conexiones con tuercas para hilos u otros conectores adecuados. Nota: el conductor de tierra DEBE estar conectado. La conexión del conductor de tierra está dentro de la caja de conexiones (Diagrama 6b).
4. Pliegue los cables de regreso en la caja de conexiones y reemplace la cubierta. Asegúrese de que la junta de la cubierta esté en su lugar.

**Caja de conexiones de la bomba de 115 V CA (Bombas de transferencia de combustible de CA series FR/SD600)**

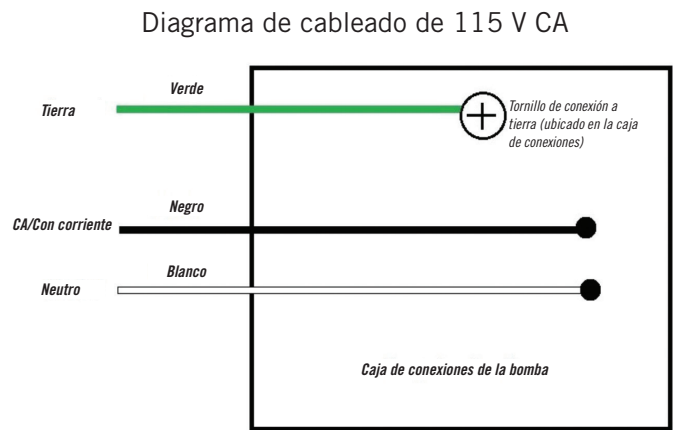
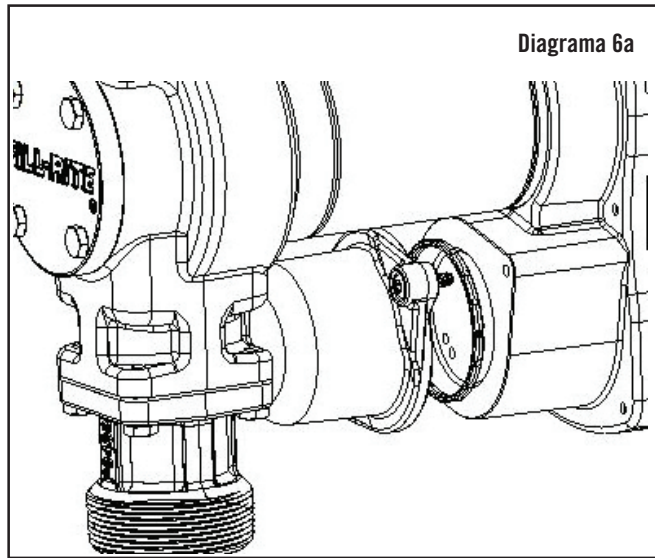
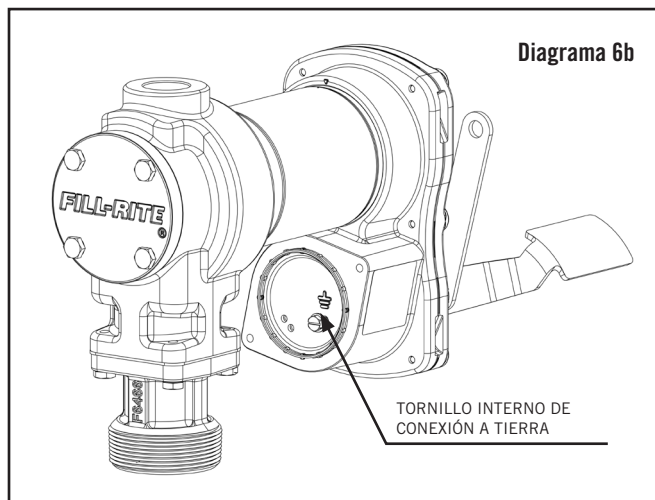


Diagrama de cableado de 115 V CA para las bombas de transferencia de combustible de CA FR/SD600.

Se debe incluir un conductor de tierra dentro del cable de alimentación de la línea de suministro. Este cable se debe conectar al terminal del tornillo de conexión a tierra en la parte interior de la superficie de la caja de conexiones.

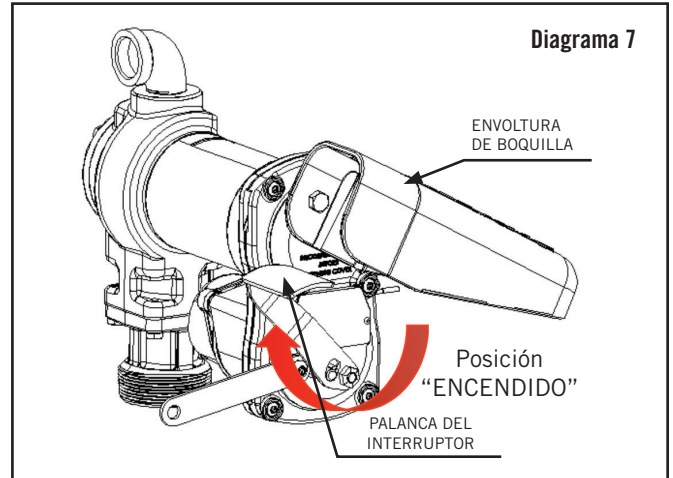


**Instrucciones de operación**

**⚠ PELIGRO**

Mantenga siempre la boquilla en contacto con el recipiente que se esté llenando durante el proceso de despacho para reducir la posibilidad de acumulación de electricidad estática. Una chispa cerca de vapores inflamables provocará una explosión que tendrá como consecuencia la muerte o lesiones graves.

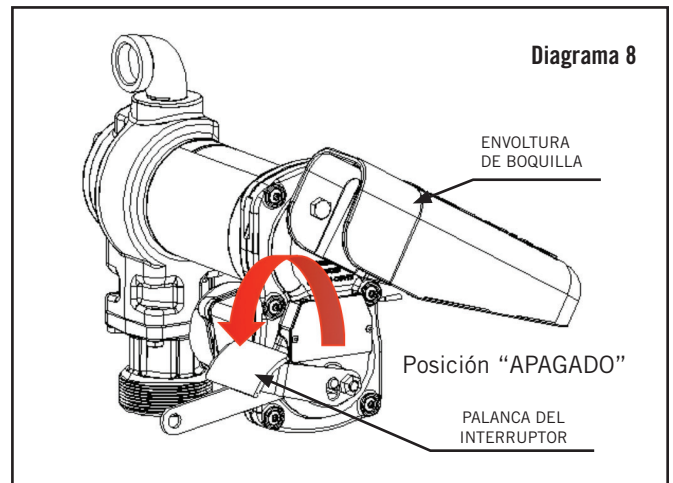
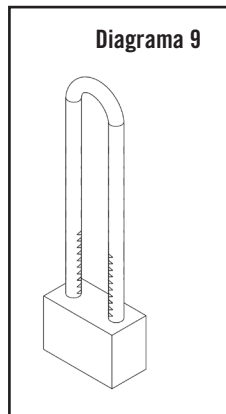
1. Si está equipado, restablezca el medidor a “0” (no lo restablezca mientras esté en uso, ya que puede provocar daños en el medidor).
2. Retire la boquilla dispensadora de la envoltura de la boquilla.
3. Mueva la palanca del interruptor a la posición “ENCENDIDO” para encender la bomba (Diagrama 7).
4. Inserte la boquilla dispensadora en el recipiente que se llenará.
5. Opere la boquilla para dispensar el líquido; suelte la boquilla cuando haya dispensado la cantidad deseada de líquido.
6. Mueva la palanca del interruptor a la posición “APAGADO” (Diagrama 8) para apagar la bomba.
7. Retire la boquilla dispensadora del recipiente que se está llenando y almacénela en la envoltura de la boquilla.



**Seguridad**

Su bomba de transferencia de combustible Fill-Rite está equipada con un la barra de bloqueo ubicado junto a la palanca del interruptor para seguridad. Cuando la bomba está apagada y la boquilla está en la posición de almacenamiento, se puede insertar un candado en la barra de bloqueo y el gatillo de la boquilla.

Fill-Rite recomienda un candado de acero laminado de tipo comercial con una argolla ajustable (Diagrama 9).



**Solución de problemas**

La siguiente guía de solución de problemas ofrece asistencia de diagnóstico básico en caso de que enfrente un funcionamiento anormal de su bomba de transferencia de combustible Fill-Rite. Si tiene preguntas, comuníquese con Servicio al Cliente de Fill-Rite al 1 (800) 720-5192 (lunes a viernes, 8 a. m. a 5 p. m., hora del este u horario de verano del este) o por correo electrónico a [fillritesales@fillrite.com](mailto:fillritesales@fillrite.com).

**⚠ PELIGRO**

Desconecte todas las fuentes de suministro de energía ya sea de su bomba de CA o CC antes de realizar cualquier reparación o mantenimiento, así como purgar cualquier presión dentro de la tubería de succión o de la manguera de descarga. No hacer esto puede provocar daños en los equipos y lesiones corporales o la muerte.

**Solución de problemas (continuación)**

Síntoma	Causa	Solución
La bomba no ceba	Problema de la tubería de succión	Verifique si hay fugas o restricciones en la tubería de succión
	Válvula de recirculación abierta	Retire y revise la válvula; esta se debe mover libremente y no debe tener residuos
	Bloqueo de las paletas	Verifique si hay muescas, rebabas y desgaste en las paletas y ranuras del rotor
	Desgaste excesivo del rotor o de la paleta	Revise si hay daño o desgaste excesivo en el rotor y las paletas; reemplace de ser necesario
	Boquilla automática	Retire para cebar la bomba
	Bloqueos del sistema	Revise el filtro y la válvula recirculación para detectar residuos; retire la boquilla y pruebe el flujo con la bomba ENCENDIDA
Capacidad baja	Suciedad excesiva en la rejilla	Retire y limpie la rejilla
	Problemas de la tubería de succión	Verifique si hay fugas o restricciones en la tubería de succión
	Bloqueo de la válvula de recirculación	Retire y revise la válvula; esta se debe mover libremente y no debe tener residuos
	Salida bloqueada	Verifique si hay bloqueos en la manguera de salida de la bomba, la boquilla y el filtro
	Bloqueo de las paletas	Verifique si hay desgaste en las paletas y ranuras del rotor; reemplace de ser necesario
	Desgaste excesivo del rotor o de la paleta	Revise si hay daño o desgaste excesivo en el rotor y las paletas; reemplace de ser necesario
	Daño en la manguera o la boquilla	Reemplace la manguera o boquilla (Fill-Rite recomienda mangueras y boquillas con clasificación UL)
	Filtro obstruido	Reemplace el filtro
	Nivel de líquido bajo	Llene el tanque
La bomba funciona lento	Voltaje incorrecto	Revise el voltaje entrante de la línea de suministro
	Bloqueo de las paletas	Inspeccione si hay muescas, rebabas y desgaste en las paletas y ranuras del rotor
	Problema de cableado	Verifique si hay conexiones sueltas
	Problema del motor	Comuníquese con Servicio al Cliente de Fill-Rite al 1 (800) 720-5192 (lunes a viernes, 8 a. m. a 5 p. m., hora estándar del este u horario de verano del este)
El motor se detiene, el fusible se quema o el protector térmico se dispara repetidamente	Bloqueo de la válvula de recirculación	Retire y revise la válvula; esta se debe mover libremente y no debe tener residuos
	Bajo voltaje	Revise el voltaje entrante de la línea de suministro
	Desgaste excesivo del rotor o de la paleta	Verifique si hay daño o desgaste excesivo en el rotor y las paletas
	Residuos en la cavidad de la bomba	Elimine los residuos de la cavidad de la bomba
Sobrecalentamiento del motor	Transferencia de líquidos de alta viscosidad	Estos líquidos solo se pueden bombear por períodos cortos (menos de 30 minutos por ciclo de trabajo)
	Rejilla obstruida	Retire la entrada y limpie la rejilla
	Tubería de succión restringida	Retire y limpie la tubería
	Falla del motor	Comuníquese con Servicio al Cliente de Fill-Rite al 1 (800) 720-5192 (lunes a viernes, 8 a. m. a 5 p. m., hora estándar del este u horario de verano del este)
	Bloqueo del rotor de la bomba	Limpie y verifique las paletas y el rotor de la bomba
Motor inoperable	No hay energía	Revise la potencia entrante de la línea de suministro
	Problema de cableado	Use un multímetro para aislar el problema con la potencia de la línea de suministro
	Falla del motor	Comuníquese con Servicio al Cliente de Fill-Rite al 1 (800) 720-5192 (lunes a viernes, 8 a. m. a 5 p. m., hora estándar del este u horario de verano del este)
	Rotor bloqueado	Limpie y revise el rotor de la bomba; repare si es necesario con KIT120RG
	Cableado suelto o incorrecto	Verifique el tamaño correcto del cable con los códigos eléctricos locales, estatales y nacionales
Filtración de líquido	Junta del sello o-ring defectuosa	Revise y reemplace todos los junta del sellos o-ring (cubierta del rotor, brida de entrada y tapa de recirculación)
	Sello del eje sucio o defectuoso	Reemplace el sello del eje con KIT120SL
	Líquido incompatible	Consulte la lista de piezas en contacto con líquido en la <b>Página 14</b> con el fabricante del líquido
	Sujetadores sueltos	Apriete los sujetadores
La bomba emite un zumbido, pero no funciona	Falla del motor	Comuníquese con Servicio al Cliente de Fill-Rite al 1 (800) 720-5192 (lunes a viernes, 8 a. m. a 5 p. m., hora estándar del este u horario de verano del este)
	Cuñero roto	Retire los residuos y reemplace el cuñero

## Especificaciones y modelos

Una serie de bombas de transferencia de combustible con certificaciones UL/cUL que son compatibles con gasolina, combustible diésel, mezclas de combustible como biodiésel hasta 20 %, gasolina hasta 15 % de etanol, alcoholes minerales y keroseno.

Piezas del producto	Materiales del producto
Carcasa de la bomba	Hierro fundido
Rotor	Hierro en polvo
Paleta	Bronce sinterizado
Malla del filtro	Acero inoxidable
Componentes húmedos	Buna-N, fluorocarburo, cerámica, corcho, termofraguado, acero, acero inoxidable

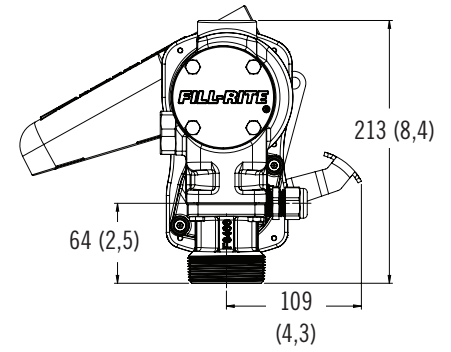
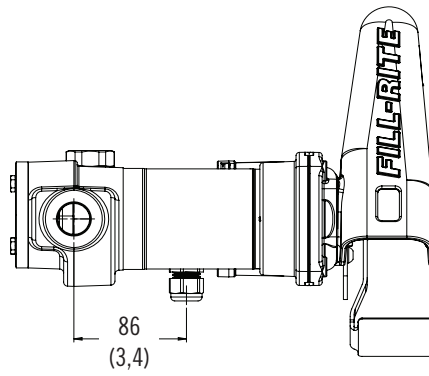
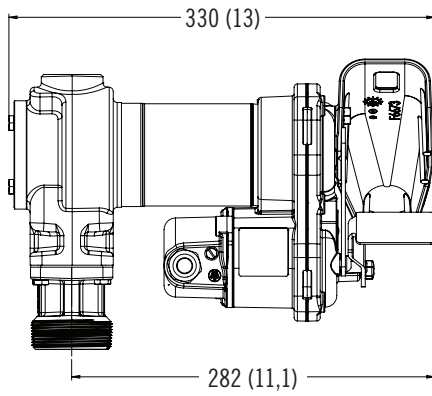
Descripción		FR1200	FR4200	SD1200	FR4400	FR2400	FR600	SD600	
Motor	Voltaje, suministro (CC/CA)	12 V CC			24 V CC		115 V CA / 60 HZ		
	Alimentación (HP)	1/4.°					1/6.°		
	Amperios (carga plena)	26	28	26	18	15	2,5		
	Amperios (nominales)	20	19	20	13	10	2,0		
	RPM	2600 RPM					2000 RPM		
	Cable de alimentación*	Longitud	5,5 m (18 pies)		4,6 m (15 pies)	5,5 m (18 pies)		No incluido	
		AWG	12						
	Ciclo de trabajo		30 minutos (encendido), luego 30 minutos (apagado)						
	Protección térmica (motor)		Sí						
	Protección de circuito recomendada		30 A			20 A		15 A	

\* No se incluye el cable de alimentación en modelos solo de bomba

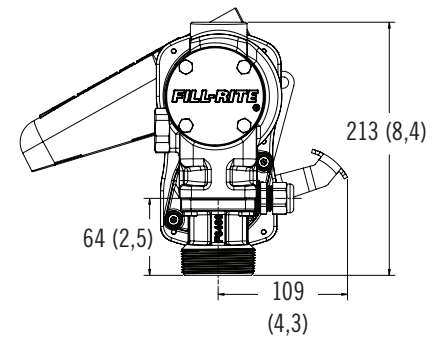
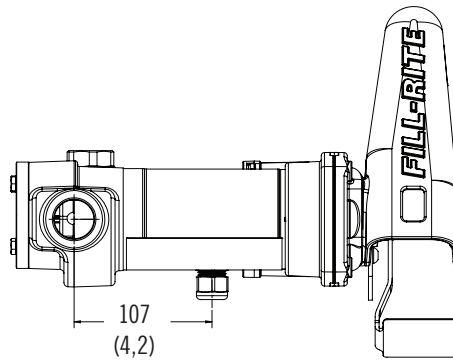
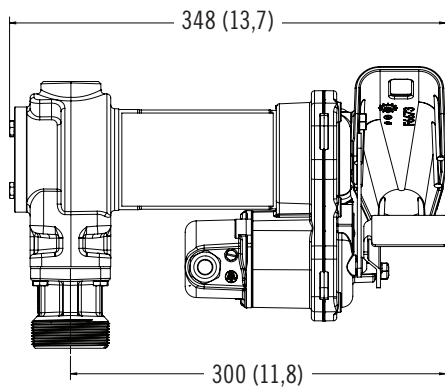
Descripción		FR1200	FR4200	SD1200	FR4400	FR2400	FR600	SD600	
Bomba	GPM máximos	15	20	13	20	15		13	
	Presión de recirculación	1,1 bar (16 PSI)							
	Vacío en seco mínimo	127 mm Hg (5 pulg. Hg)							
	A nivel del mar 21,1 °C (70 °F)	Altura de succión	Máximo 2,4 m (8 pies)						
		Salida del cabezal	Máximo 11,3 m (37 pies)						
	Entrada		1 pulg. NPT						
	Salida		3/4 pulg. NPT	1 pulg. NPT	3/4 pulg. NPT	1 pulg. NPT	3/4 pulg. NPT		
	Montaje		Tapón de entrada de 2 pulg. NPT						
	Garantía		Garantía limitada de por vida <sup>†</sup>		1 año	Garantía limitada de por vida <sup>†</sup>		1 año	

<sup>†</sup> Los detalles de la garantía se pueden encontrar en [fillrite.com](http://fillrite.com)

**FR1200, FR2400, FR4400, FR600, SD1200 y SD600** (Las dimensiones se muestran en mm [pulgadas])



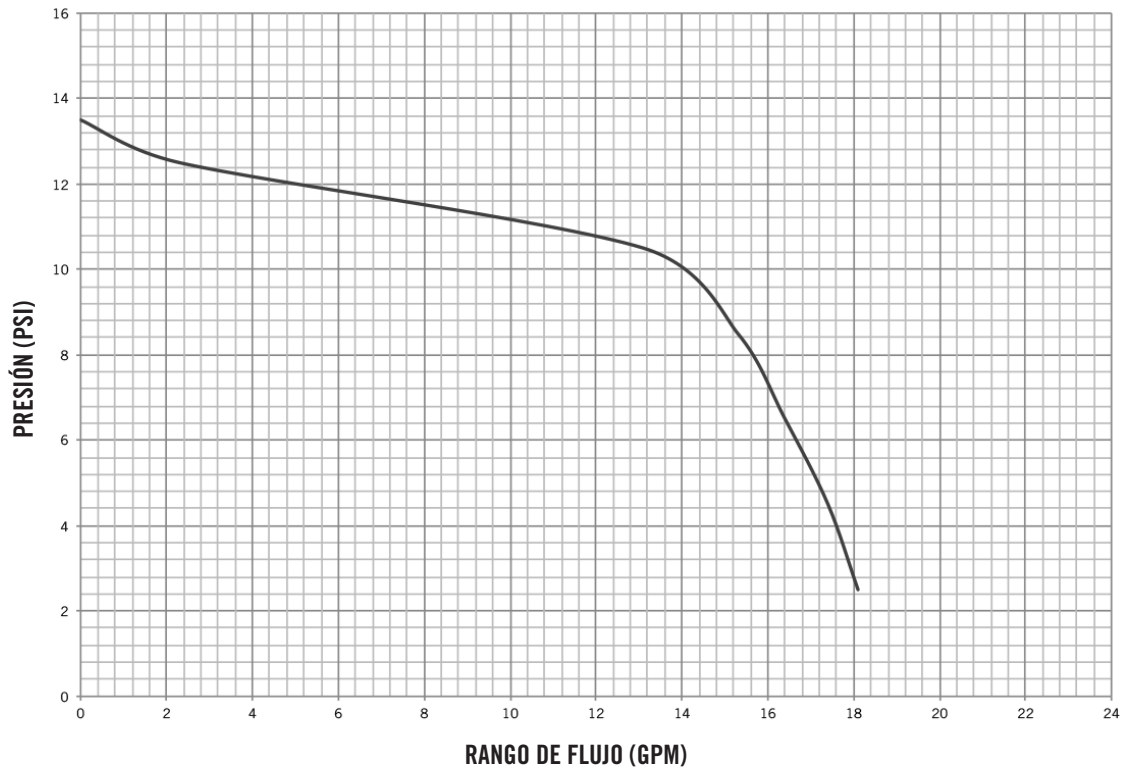
**FR4200** (Las dimensiones se muestran en mm [pulgadas])



**Información de modelo de la serie H: FR1200, FR2400, FR4200, FR4400, FR600, SD1200, SD600**

Número de modelo	Boquilla	Manguera	Medidor	Tubo de entrada	Cable de alimentación	Especial	Voltaje	Salida	
FR1204H	Modelo solo de bomba							12 V CC	19,1 mm (3/4 pulg.)
FR1210H	Manual	3,7 m (12 pies)		Metal, telescópico 508 mm a 876 mm (20 pulg. A 34-1/2 pulg.)	12 AWG a 5,5 m (18 pies)				
FR1210HA	Auto gasolina	3,7 m (12 pies)							
FR1210HA1	Auto diésel	3,7 m (12 pies)							
FR1210HARC	Auto ártico	4,6 m (15 pies)				Destorcedor			
FR1210HN									
FR1211H	Manual	3,7 m (12 pies)	807C						
FR1211HL	Manual	3,7 m (12 pies)	807CL						
FR1211HLN			807CL						
FR1211HN			807C						
FR1219H	Manual	3,7 m (12 pies)	TT10AN						
FR2404H	Modelo solo de bomba							24 V CC	
FR2410H	Manual	3,7 m (12 pies)		Metal, telescópico 508 mm a 876 mm (20 pulg. A 34-1/2 pulg.)	12 AWG a 5,5 m (18 pies)				
FR2411H	Manual	3,7 m (12 pies)	807C						
FR2411HL	Manual	3,7 m (12 pies)	807CL						
FR4204H	Modelo solo de bomba								
FR4210H	Manual	3,7 m (12 pies)		Metal, telescópico 508 mm a 876 mm (20 pulg. A 34-1/2 pulg.)	12 AWG a 5,5 m (18 pies)		12 V CC	25,4 mm (1 pulg.)	
FR4210HARC	Auto ártico	6,1 m (20 pies)				Destorcedor			
FR4210HB	Ultra alto flujo	3,7 m (12 pies)							
FR4210HD	Auto diésel	3,7 m (12 pies)							
FR4210HDS	Auto diésel	3,7 m (12 pies)				Destorcedor			
FR4210HBFQ	Ultra alto flujo	5,5 m (18 pies)			10 AWG a 7,6 m (25 pies) con abrazaderas	Filtro			
FR4210HN					12 AWG a 5,5 m (18 pies)				
FR4211H	Manual	3,7 m (12 pies)	901C						
FR4211HL	Manual	3,7 m (12 pies)	901CL						
FR4211HLN			901CL						
FR4211HN			901C						
FR4219H	Manual	3,7 m (12 pies)	TT10AN						
FR4406H	Modelo solo de bomba								24 V CC
FR4410H	Manual	3,7 m (12 pies)		Metal, telescópico 508 mm a 876 mm (20 pulg. A 34-1/2 pulg.)	12 AWG a 5,5 m (18 pies)				
FR604H	Modelo solo de bomba							115 V CA	
FR610H	Manual	3,7 m (12 pies) UL		Metal, telescópico 508 mm a 876 mm (20 pulg. A 34-1/2 pulg.)					
FR610HA	Auto gasolina	3,7 m (12 pies) UL							
SD1202H	Manual	3,0 m (10 pies)		PVC, 387 a 743 mm (15-1/4 pulg. a 29-1/4 pulg.)	12 AWG a 4,6 m (15 pies)		12 V CC	19,1 mm (3/4 pulg.)	
SD1202HA	Auto gasolina	3,0 m (10 pies)			12 AWG a 4,6 m (15 pies)				
SD602H	Manual	3,7 m (12 pies) UL		PVC, 387 a 1099 mm (15-1/4 pulg. a 43-1/4 pulg.)			115 V CA		

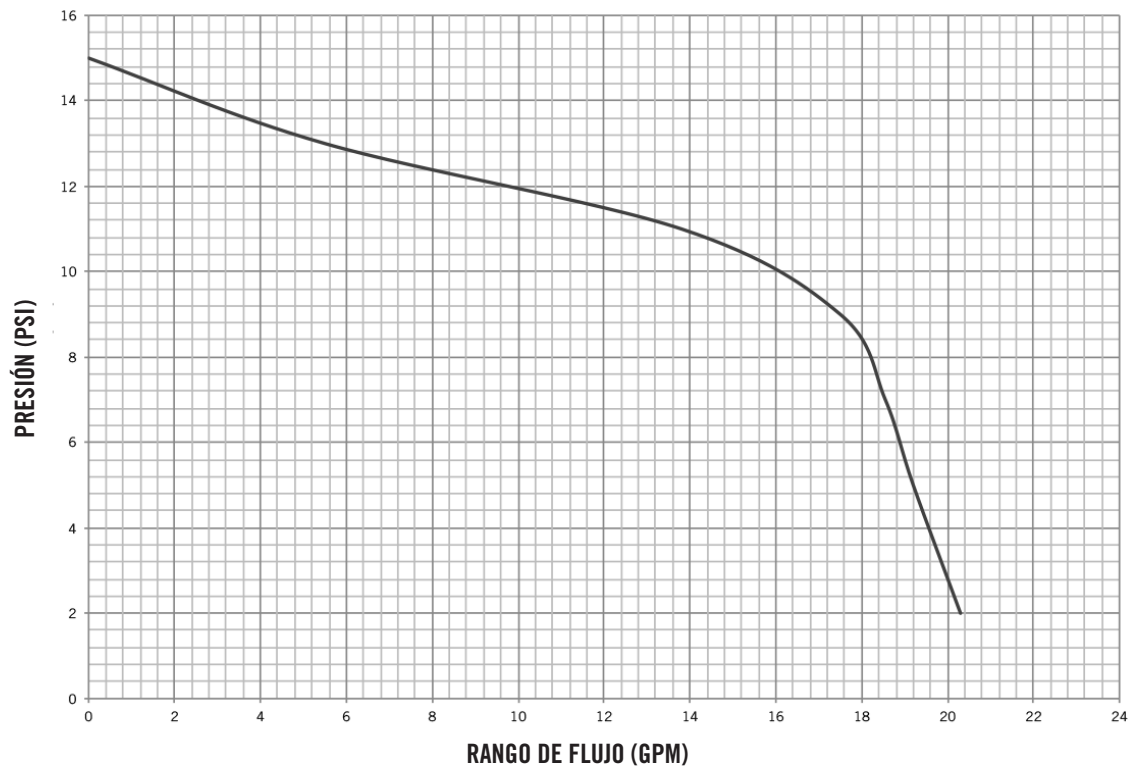
**Curva de rendimiento de la serie 1200**



**Curva de rendimiento de la serie 2400**



**Curva de rendimiento de la serie 4200**

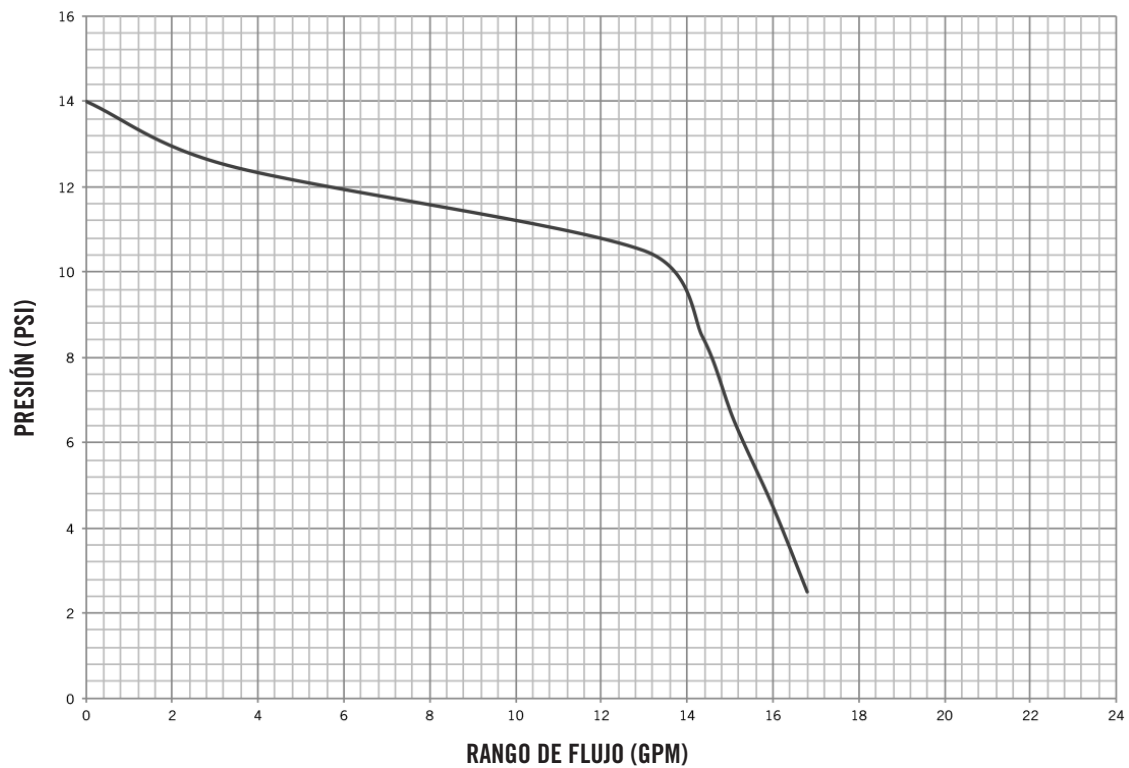


**Curva de rendimiento de la serie 4400**

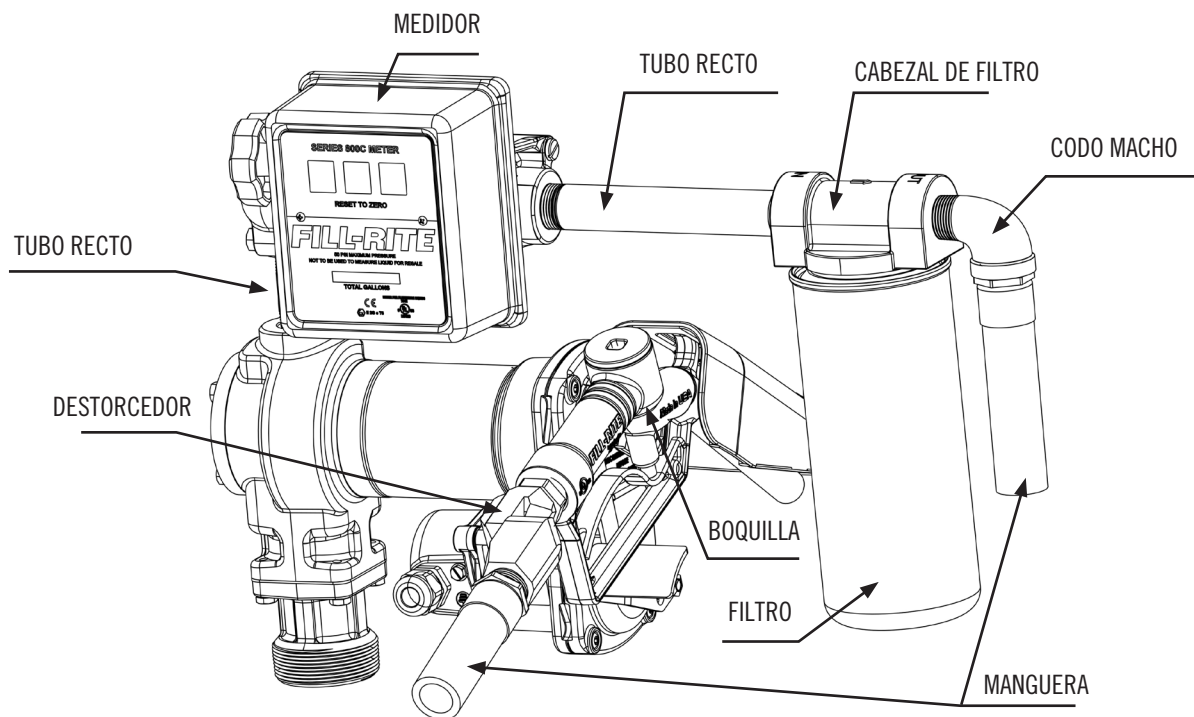




**Curva de rendimiento de la serie 600**



**Accesorios**

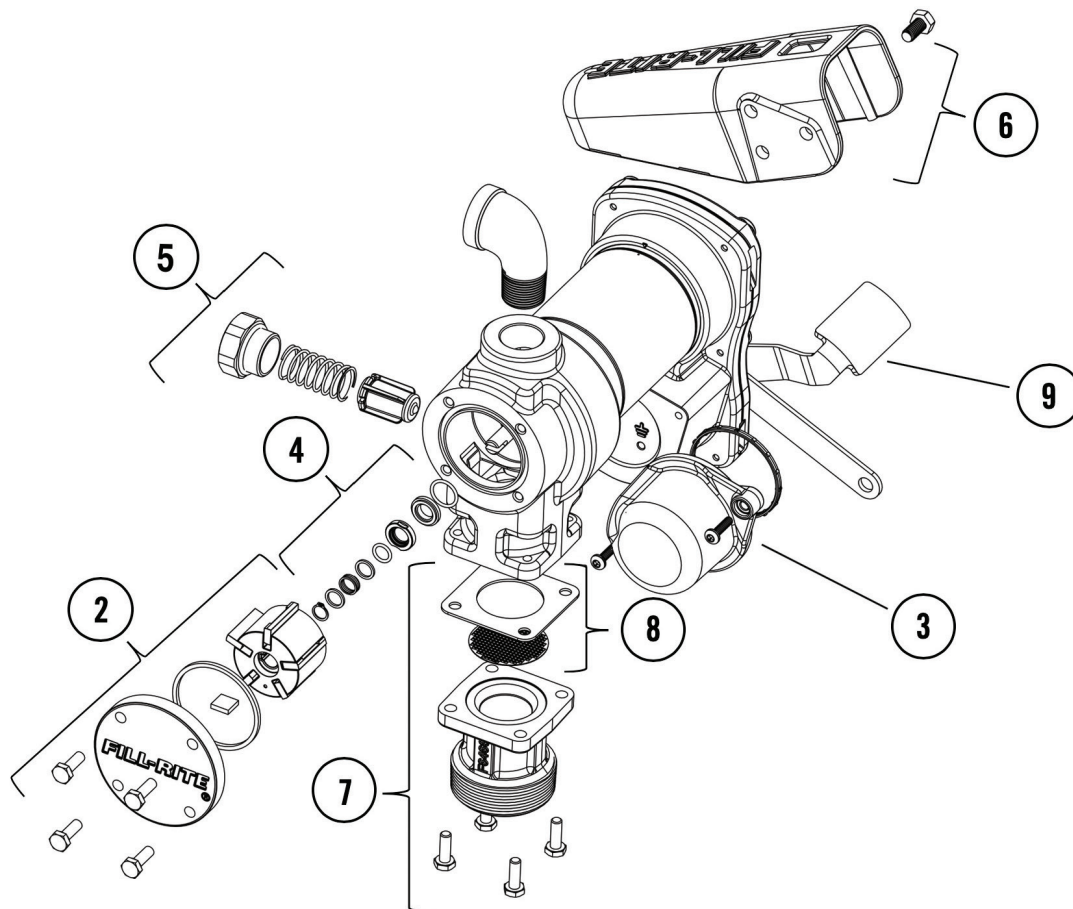


Configuración adecuada de accesorios

**Accesorios (continuación)**

Accesorio	Serie		Tamaño de la salida		Notas	
			19,1 mm (3/4 pulg.)	25,4 mm (1 pulg.)		
Boquilla	Manual		FRHMAN075S	FRHMN1005	Gasolina/diésel	
	Automática	Alto flujo	N075UUAU10	N100DAU12	Envoltura roja	
			N075DAU10	N100DAU12G	Envoltura verde	
		Ártico	FRNA075DAU10	FRNA100DAU00	Clima frío (-40 °C/°F)	
		Ultra alto flujo			N100DAU13	Envoltura roja
					N100DAU13G	Envoltura verde
					N100DAU13Y	Envoltura amarilla
Manguera	3,7 m (12 pies), con clasificación UL		700F3135	300F7773	Compatible con gasolina, diésel, keroseno y aceites de petróleo	
	3,7 m (12 pies)		FRH07512	FRH10012		
	4,3 m (14 pies)		FRH07514	FRH10014		
	6,1 m (20 pies)		FRH07520	FRH10020		
Medidor	Mecánico	800	807CMK		Galones	
			807CLMK		Litros	
		900		901CMK4200	Galones	
				901CLMK4200	Litros	
	Digital	900		900CD	Programable	
				900CDP	Programable con pulsador integral	
		TT		TT10AB	BSPP, aluminio	
				TT10ABC	BSPP, niquelado	
			TT10AN	NPT, aluminio		
			TT10ANC	NPT, niquelado		
Destorcedor	Multi-Plano		S075H1314	S100H1315	Rotación en 360°	
Filtro	Cabezales		1200KTG9075 (Filtros F18)	700ACCF7017 (Filtros F40)	Compatible con gasolina y diésel	
	Partículas		F1810PMO (10 micrones/18GPM)	F4010PMO (10 micrones/40GPM)		
				F4030PMO (30 micrones/40GPM)		
	Hydrosorb para agua		F1810HMO (10 micrones/18GPM)			

**Kits de mantenimiento de la bomba**



N.º	Kit	Descripción	Piezas
1	KIT120BD*	Kit de biodiésel	Sellos o-ring, sellos de la tapa de entrada y de recirculación, asiento de la válvula de recirculación
2	KIT120RGG	Kit de rotor y paleta	Cubierta del rotor, rotor, paletas, cuñero del rotor, sello o-ring, piezas metálicas de fijación
3	KIT120JCH	Kit de cubierta de conexiones	Cubierta de conexiones, sello, sujetadores
4	KIT120SL	Kit de sellos	Sello o-ring, sellos de eje, clip de retención
5	KIT120BV	Kit de mantenimiento de recirculación	Válvula de recirculación, resorte de recirculación, tapa de recirculación, sello o-ring
6	KIT120NB	Kit de envoltura de boquilla	Envoltura de boquilla, piezas metálicas de fijación
7	KIT120BG	Kit de brida de entrada	Brida de entrada (tapón), piezas metálicas de fijación, sello de entrada, rejilla
8	KIT120SG	Junta de entrada y rejilla	Junta para entrada (tapón) y rejilla
9	KIT120SWH	Kit de palanca del interruptor	Palanca del interruptor, piezas metálicas de montaje

\*KIT120BD no se indica en el diagrama anterior

## Aprobaciones de pruebas de seguridad

La línea de bombas Fill-Rite ha pasado pruebas de seguridad para cumplir con los estrictos estándares normativos. Esta familia de productos es aprobada por Underwriters Laboratories (UL).



## Información de la etiqueta del motor

La etiqueta del motor en la bomba Fill-Rite contiene información técnica y de funcionamiento importante. Asegúrese de que esta etiqueta permanezca adherida a la bomba en todo momento.

<b>FILL-RITE</b>		MADE IN U.S.A. LB002540-009
STYLE R 2809HE	EXPLOSION-PROOF MOTOR	Seguranga IEC Ex II 2G Ex db IIA T6 Gb
12 VOLTS DC	30 MPM	INMETRO
55°C RISE	30 MPM	FMG19.0013X
1/4 HP	2600 RPM	2809
ENTRY THREADS ARE M20X 1.5 6H		EAC
CAUTION - MOTOR HAS AUTOMATIC RESET THERMAL PROTECTOR		2809

**FILL-RITE**  
A GORMAN-RUPP COMPANY

Fill-Rite Company  
8825 Aviation Drive  
Fort Wayne, Indiana 46809 USA

P 1 (800) 720-5192  
(+01) 260-747-7524  
F (800) 866-4681



fillrite.com | soteracom | gormanrupp.com

# FILL-RITE®

## BOMBAS DE TRANSFERÊNCIA DE COMBUSTÍVEL DA SÉRIE H

Manual de instalação e operação da  
FR1200, FR2400, FR4200, FR4400, FR600, SD1200, SD600



MADE IN  
**USA**   
WITH GLOBAL MATERIALS

**GR**  
GORMAN-RUPP  
COMPANY

**Conteúdo**

Política de Garantia Limitada ..... 2

Sobre este manual ..... 3

Símbolos e definições ..... 3

Antes de começar ..... 3

Informações de segurança ..... 4

Instalação ..... 5

Instruções para fiação de 12V CC e 24V CC ..... 7

Instruções de fiação de 115 V CA ..... 10

Instruções de operação ..... 12

Segurança ..... 12

Solução de problemas ..... 12

Especificações e modelos ..... 14

Curvas de desempenho ..... 17

Acessórios ..... 19

Kits de serviço da bomba ..... 21

Certificação ..... 22

Etiqueta do motor ..... 22

**Obrigado!**

Agradecemos a sua lealdade às bombas de transferência de combustível da marca Fill-Rite®. Sua segurança é importante, portanto, leia e compreenda completamente os procedimentos estabelecidos neste manual. Além disso, guarde estas instruções para referência futura e registre o modelo, número de série e data da compra da sua bomba de transferência de combustível. Proteja-se, assim como as pessoas ao seu redor, observando todas as instruções de segurança e cumprindo todos os símbolos de perigo, aviso e cuidado. Registre seu Fill-Rite® produto via [info.fillrite.com/product\\_registration](http://info.fillrite.com/product_registration).

**POLÍTICA DE DEVOLOUÇÃO IMPORTANTE**

**Não devolva este produto à loja.** Para todas as perguntas sobre garantia e produtos, entre em contato com o Atendimento ao Cliente da Fill-Rite pelo telefone 1 (800) 720-5192 (segunda à sexta, das 8h às 17h EST/EDT).

No. MODELO	
No. SERIAL	
DATA DE COMPRA:	



**Política de Garantia Limitada**

A Fill-Rite Company garante que as mercadorias fabricadas devem estar livres de defeitos de materiais e mão de obra. Detalhes específicos da garantia para produtos individuais podem ser encontrados em [fillrite.com](http://fillrite.com).





## As bombas de transferência de combustível da série H apresentam os seguintes recursos

- **Caixa de derivação elétrica ajustável**  
Gira 180 graus para facilitar a instalação da fiação elétrica em locais apertados, independentemente da localização do tampão de entrada
- **Alavanca da chave confiável e resistente**  
Apresenta uma parada de metal fundido que suporta o uso pesado nos ambientes mais exigentes
- **Defesa da barra de bloqueio**  
Barra alongada simplifica o processo de travamento do cadeado para evitar roubo
- **Redução de peso do componente focalizado**  
Preserva o desempenho esperado de serviço pesado, melhorando a facilidade de instalação
- **Proteção de pintura premium**  
Uma barreira resistente à corrosão exemplar para longa vida em campo
- **Motor protegido termicamente**  
Evita superaquecimento para garantir a vida útil máxima do motor
- **Tubo de aspiração de metal com entrada telescópica\***  
Ajustável de 20 a 34 polegadas de comprimento, permitindo a instalação universal em vários tamanhos e formas de tanque  
*\*Não incluído nos modelos SD*
- **Proteção do filtro de admissão**  
Protege a bomba bloqueando partículas criadas por contaminação
- **Certificações – UL, cUL**

## Sobre este manual

Desde o conceito e o design inicial até a produção final, sua bomba de transferência de combustível Fill-Rite é construída para fornecer anos de uso sem problemas. Para garantir a sua segurança e a das pessoas ao seu redor, é essencial que este manual seja lido na íntegra antes de tentar instalar ou operar sua nova compra. Recomendamos enfaticamente que qualquer instalador e operador se familiarize com os termos, diagramas e dados técnicos deste manual e preste muita atenção aos símbolos e definições de aviso. Na Fill-Rite, sua satisfação com nossos produtos é muito importante. Se você tiver dúvidas ou precisar de assistência com o seu produto, entre em contato com o Atendimento ao Cliente pelo número 1 (800) 720-5192 (segunda à sexta, das 8h às 17h EST/EDT).

## Símbolos e definições

 <b>DANGER</b>	Indica uma situação de perigo que, se não evitada, resultará em ferimentos graves ou fatais.
 <b>AVERTISSEMENT</b>	Indica uma situação de perigo que, se não evitada, poderá resultar em ferimentos graves ou fatais.
 <b>ATTENTION</b>	Indica uma situação perigosa que, se não for evitada, poderá resultar em ferimentos moderados ou pequenos.
 <b>AVIS</b>	Indica informações consideradas importantes, mas não diretamente relacionadas ao perigo.

## Antes de começar

### Requisitos de abastecimento

Os modelos Fill-Rite FR1200, FR2400, FR4200, FR4400, FR600 e SD1200 e SD600 foram projetados e aprovados para uso com os seguintes fluidos inflamáveis e combustíveis: gasolina e misturas de gasolina até 15% ou E15, diesel, misturas de biodiesel a 20% ou B20, querosene e álcool mineral. Tome todas as precauções necessárias ao manusear líquidos inflamáveis.

### Requisitos de fonte de energia

Dependendo do modelo Fill-Rite, a energia da linha de alimentação será de 12 V CC, 24 V CC ou 115 V CA. A placa de identificação do motor da bomba localizada ao lado da alavanca da chave fornecerá informações elétricas detalhadas. Consulte as instruções elétricas apropriadas encontradas a partir da **Página 7** (Alimentação CC) ou **Página 10** (Alimentação CA).

### Itens que podem ser necessários para a instalação:

Chave para tubos de aço de 14 a 24", chave de boca ou soquete (7/16", 11 mm), chave Torx T-25, faca, rebarbadora ou serra (opcional), cortadores de fio, descascador de fios/crimpador e vedador de roscas (opcional).

*Observação: A Fill-Rite fornece fitas Teflon® para todos os modelos, conforme listado na **Página 16**.*

## Informações de segurança

Para garantir uma instalação segura e uma operação adequada do equipamento, leia, entenda e cumpra todos os PERIGOS/ADVERTÊNCIAS/CUIDADOS e outros AVISOS.

### DANGER

Nunca fume perto ou perto de um tanque de combustível ou da bomba de transferência. Chamas abertas ou faíscas ao bombear um líquido inflamável resultarão em incêndio. A instalação ou fiação elétrica inadequada resultará em ferimentos graves ou morte.

### AVERTISSEMENT

A fiação elétrica SOMENTE deve ser realizada por um electricista licenciado, em conformidade com todos os códigos elétricos locais, estaduais e nacionais (NEC/ANSI/NFPA 30, NFPA 30A e NFPA 70), conforme apropriado para o uso pretendido de uma bomba de transferência de combustível Fill-Rite.

Conduíte rígido rosqueado, conexões vedadas e vedação do condutor devem ser usados onde aplicável e conforme definido por esses códigos.

Este produto deve estar adequadamente ligado ou aterrado para evitar o acúmulo de eletricidade estática ao manusear produtos inflamáveis. A descarga estática pode inflamar vapores, causando ferimentos graves ou morte.

As bombas Fill-Rite não são adequadas para uso com água ou fluidos destinados ao consumo humano. Não use para abastecer aeronaves.

Para minimizar o acúmulo de eletricidade estática, mantenha o bocal em contato com o recipiente que está sendo enchido o tempo todo durante o processo de enchimento. Use apenas mangueira condutora de fio estático ao bombear líquido inflamável.

A instalação ou uso mecânico inadequado pode resultar em ferimentos graves ou morte.

### ATTENTION

As conexões e junções de tubulação roscadas devem ser vedadas com selante ou fita selante adequada para evitar vazamentos.

Todos os modelos de bomba Fill-Rite estão equipados com proteção térmica contra sobrecarga, pela qual o motor será desligado para evitar danos causados pelo calor. Se o motor for desligado por uma sobrecarga térmica, gire a alavanca da chave para a posição OFF (Desligado). Quando o motor esfriar o suficiente, gire a alavanca da chave para a posição ON (Ligado) para retomar a transferência de combustível.

Alguns modelos de Fill-Rite serão reiniciados automaticamente se a alavanca da chave não estiver na posição OFF quando o protetor térmico for redefinido. Como boa prática, sempre coloque a alavanca da chave na posição OFF quando o motor superaquecer.

### AVIS

Um filtro deve ser usado na saída da bomba para evitar contaminação no tanque de combustível do veículo ou do equipamento. Para melhores resultados, recomendamos os filtros Fill-Rite.

Para impedir que os tanques de armazenamento de combustível se desloquem ou tombem, consulte as diretrizes do fabricante do tanque sobre a ancoragem adequada.



## Instalação

Sua bomba Fill-Rite foi projetada para ser montada em um tanque de combustível por meio de um flange de entrada rosqueado fornecido com a bomba. Instalações típicas são mostradas nos Diagramas 1 e 2. A sua bomba possui uma válvula de desvio integral para recircular o fluido quando a bomba estiver operando com o bocal fechado.

### ⚠ ATTENTION

Não use válvulas de retenção ou válvulas de pé adicionais, a menos que estas tenham uma válvula de alívio de pressão adequada embutida. Esteja ciente de que válvulas de retenção adicionais reduzirão as taxas de fluxo.

Uma tampa de abastecimento com retenção de pressão pode ser usada para reduzir a perda de combustível por evaporação.

As juntas e conexões do tubo roscado devem ser vedadas com o selante apropriado para evitar vazamentos.

Tenha cuidado para evitar rosqueamento cruzado durante a instalação, o que pode causar danos ao flange de entrada ou a ambos, bem como ao tampão do tanque de armazenamento.

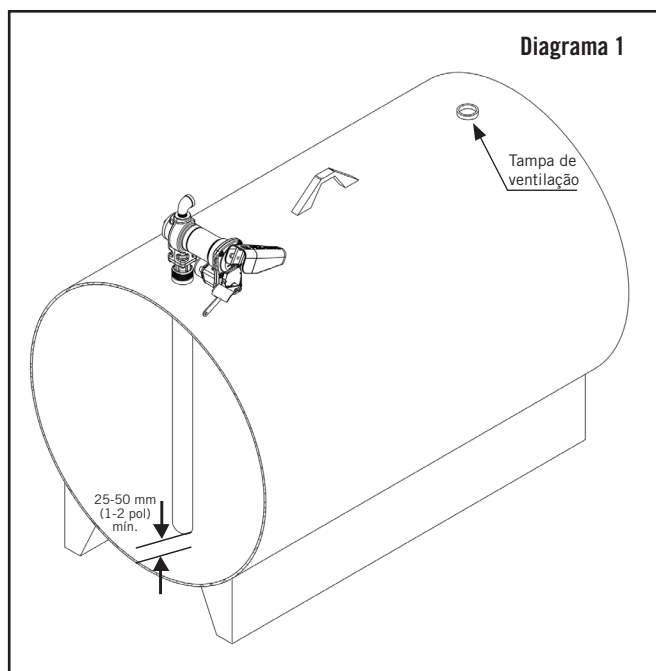
### AVIS

Em todas as aplicações do tanque, verifique se o tanque está bem preso de acordo com as orientações do fabricante do tanque.

## Tanque estacionário

Para tanques de combustível estacionários, a bomba é montada no tampão do tanque por meio do flange de entrada da bomba. Dados os diferentes tamanhos de tanques de combustível estacionários, pode ser necessário um tubo de aspiração ou entrada personalizado. Recomendamos um tubo de ferro preto NPT de 1 pol que é estendido a um comprimento de pelo menos 25-50 mm (1-2 pol) do fundo do tanque, com o fundo do tubo cortado em um ângulo entre 30-45 graus para melhorar o fluxo.

Um tanque estacionário deve estar equipado com uma tampa de ventilação. (Diagrama 1)



## Tanque móvel

Para tanques de combustível móveis, a bomba é montada no tampão do tanque por meio do flange de entrada da bomba.

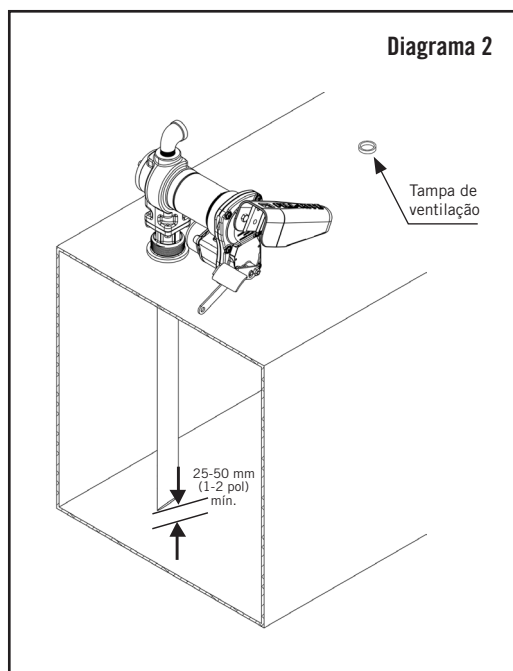
### Para o tubo de aspiração de aço telescópico

Permita que o tubo telescópico se estenda totalmente até o fundo do tanque.

### Para tubos de aspiração personalizados ou de PVC

Para evitar a penetração no tanque, recomendamos deixar no mínimo 25-50 mm (1-2 pol) do tubo no fundo do tanque. Recomendamos ainda cortar o tubo de sucção em um ângulo de 30 a 45 graus para melhorar o fluxo.

O tanque móvel deve estar equipado com uma tampa de ventilação. (Diagrama 2)



**Procedimento de instalação:**

**Passo 1:** Remoção de flange de entrada (opcional)

Solte (4) os parafusos de 1/4 pol usando a chave ou soquete de 7/16 pol. Desconecte a rolha de entrada da bomba, guarde os parafusos, a tela e a gaxeta.

**Passo 2:** Usando o tubo de sucção incluído ou o tubo personalizado, rosqueie o tubo na entrada de 1,5 a 2,5 voltas apertadas manualmente com a chave de tubo. Use selante adequado para a transferência de combustível.

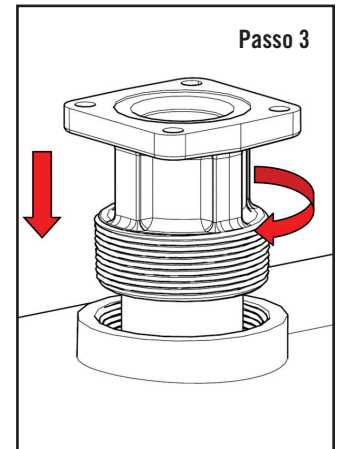
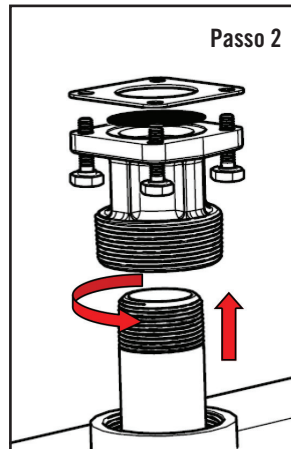
**Passo 3:** Rosqueie a rolha de entrada com o tubo de sucção conectado no tanque 1,5 a 2,5 voltas bem apertadas. Use selante adequado para a transferência de combustível.

**Passo 4:** (Somente se o Passo 1 for utilizado) Coloque a tela no bolso da tela no tampão de entrada, monte a gaxeta e depois coloque a bomba no tampão do tanque. Alinhe os orifícios e insira (4) os parafusos de 1/4 pol e aperte com uma chave de 7/16 pol a 40 pol-lb mínimo.

**Passo 5:** Remova a tampa da caixa de derivação através dos (2) parafusos T-25 e localize os fios. Tensão CC: 2 fios, preto e vermelho; Tensão CA: 3 fios, preto, branco e verde, presos ao parafuso de aterramento interno. Certifique-se de que a gaxeta permaneça no lugar após a recolocação da caixa de derivação.

**Passo 6:** Alimente os fios da fonte de energia através da abertura NPT na caixa de derivação. Para modelos CC, use o conector do cabo preto\*. Para modelos CA, conecte o conduíte diretamente à abertura do NPT†.

**Passo 7:** A entrada do bocal é conectada à placa da chave via (1) parafuso de 5/16 pol com torque de 40 pol-lb. A entrada do bocal possui duas posições disponíveis.

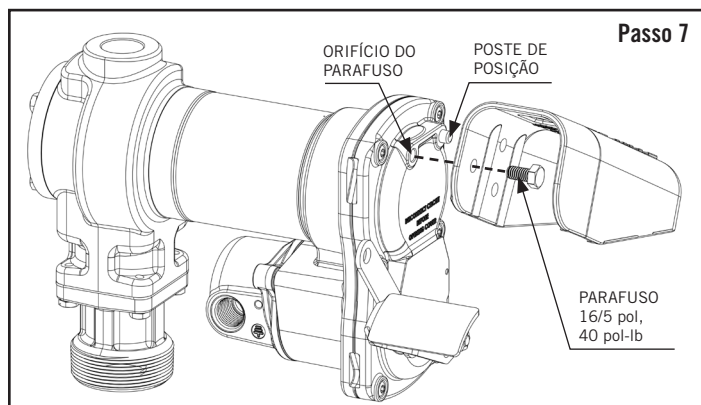
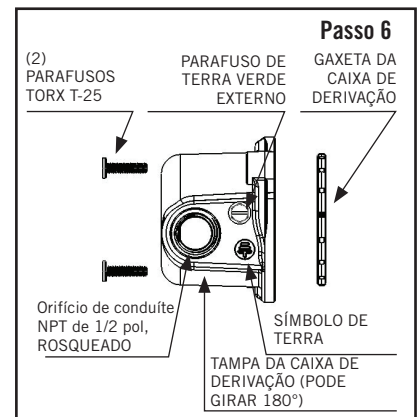
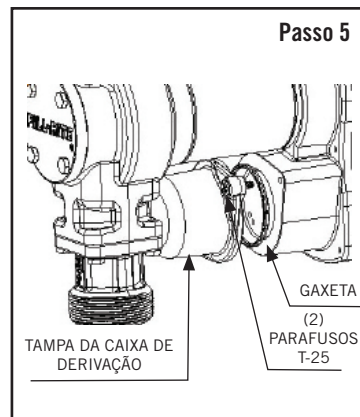
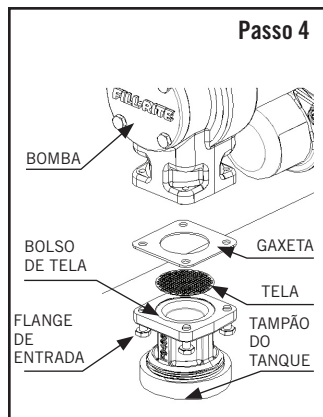


\* Prensa-cabo preto incluído apenas nos modelos CC

† NPT de 1/2 pol para prensa-cabo, conexão de bronze conforme ATEX nos modelos HE

**AVIS**

Mantenha uma separação mínima de 25-50 mm (1-2 pol) da extremidade do tubo à parte inferior do tanque.



**Instruções para fiação de 12V CC e 24V CC**

**Bomba de transferência CC das séries FR1200/FR2400/FR4200/FR4400/SD1200**



A instalação elétrica SÓ deve ser realizada por uma electricista licenciado, em conformidade com o código elétrico NEC/ANSI/NFPA 30, NFPA 30A e NFPA 70), conforme apropriado para o uso pretendido da bomba. Conduítes rígidos roscados, conexões vedadas e selo condutor devem ser usados, onde aplicável. A bomba deve ser devidamente aterrada. A instalação ou uso incorreto desta bomba pode resultar em ferimentos pessoais graves ou morte!

Não conecte a energia positiva ou negativa ao parafuso verde de aterramento ou fio terra/terra, pois isso pode causar um incêndio.

Não tente alimentar a bomba a partir de fiação do veículo com calibre menor do que 12 AWG, tais como o fio do acendedor de cigarro, pois estes fios finos podem superaquecer e causar um incêndio.

Para conectar os comutadores upfitter, entre em contato com o Atendimento ao Cliente da Fill-Rite pelo telefone 1 (800) 720-5192 (segunda à sexta, das 8h às 17h EST/EDT).



As bombas de combustível DC Fill-Rite são projetadas para operar na tensão nominal da placa de identificação. As séries FR1200, FR4200 e SD1200 são classificadas para 12 V CC enquanto FR2400 e FR4400 são classificadas para 24 V CC. Independentemente de como a fonte de alimentação é fornecida (por exemplo, através de uma bateria ou linha dura), a Fill-Rite exige que o circuito contenha um fusível para evitar curto-circuitos. Para 12 V CC, é necessário um fusível de 30 A, enquanto no circuito de 24 V CC, um fusível de 20 A.

A queda de tensão na fiação varia dependendo da distância da bateria para a bomba e do calibre do fio usado. Se a distância for maior que o cabo de alimentação de 5,5 m (18 pés) 12 AWG fornecido\*, consulte os códigos elétricos locais, estaduais e nacionais para garantir que o fio tenha o tamanho correto para esta aplicação.

A tabela a seguir deve ser usada como referência e não substitui os códigos elétricos:

Distância linear máxima em metros (pés) do comprimento do fio de cobre trançado por bitola				
10	8	6	4	2
8,2 (27)	13,4 (44)	21 (69)	34 (110)	53 (175)

\*Cabo de alimentação de 12 AWG não fornecido apenas com modelos de bombas

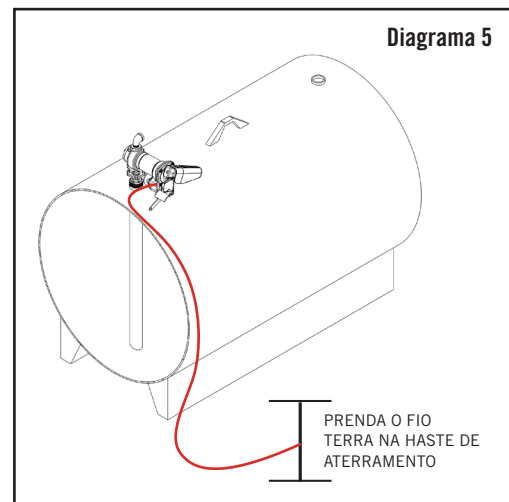
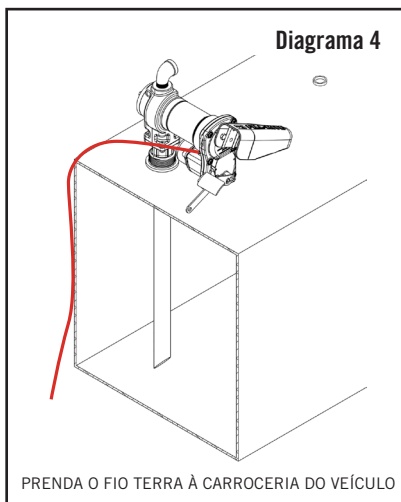
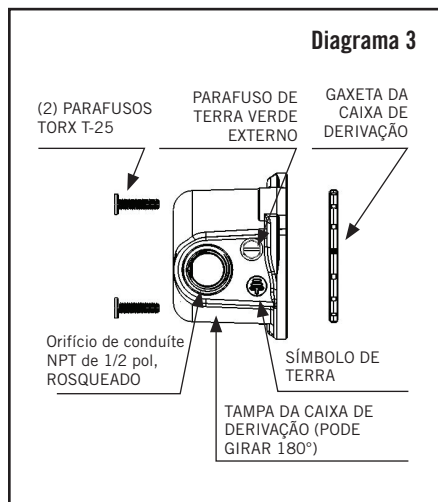


Ligação elétrica é o processo de conexão de peças metálicas, como um tanque de armazenamento de combustível ou uma bomba de transferência, que podem ser expostas a falhas elétricas a um condutor de aterramento, para garantir um caminho de baixa resistência ao solo. A ligação também fornece um caminho para que a eletricidade estática e as tensões induzidas sejam drenadas pelo caminho de aterramento. A maneira mais comum de colar é com um fio de cobre.

Se a intenção é operar uma bomba de transferência de combustível de 12 V ou 24 V CC de uma fonte de alimentação que não seja o sistema de bateria do veículo, entre em contato com o Atendimento ao Cliente da Fill-Rite no número 1 (800) 720-5192 (segunda à sexta, das 8h às 17h EST/EDT).

### Instruções antes de prosseguir com a instalação elétrica de corrente contínua (CC)

A bomba precisa ser ligada eletricamente a uma estrutura de veículo para tanques móveis ou a uma haste de aterramento para tanques estacionários. Para ligar eletricamente a bomba para aplicação móvel, remova o parafuso de ligação verde externo instalado de fábrica, localizado na tampa da caixa de derivação (Diagrama 3). Insira esse parafuso pelo orifício do conjunto de fio de ligação verde fornecido e prenda-o firmemente à caixa de derivação. A outra extremidade do fio deve ser removida do isolamento e o fio desencapado deve estar firmemente ligado ao veículo ou ao chassi de reboque ligado/desligado para tanques móveis (Diagrama 4). Para colar com tanques estacionários, conecte um fio terra a uma haste de terra e ao próprio tanque (Diagrama 5). A distância pode ser maior que o fio terra fornecido.



### Instruções de fiação CC

1. Remova a tampa da caixa de derivação elétrica da bomba e endireite o fio vermelho e preto.
2. Aparafuse o conector do cabo fornecido na abertura do conduíte NPT de 1/2 pol na caixa de derivação.
3. Remova 76 mm (3 pol) da cobertura externa de uma extremidade do cabo de alimentação elétrico fornecido. \* Cuidado para não danificar o isolamento do fio preto e vermelho.
4. Afrouxe a porca do conector do cabo e passe a extremidade desencapada do fio fornecido pelo conector do cabo. Aperte a porca do conector do cabo.
5. Remova 13 mm (1/2 pol) do isolamento das extremidades dos fios preto e vermelho. Usando as porcas de fio fornecidas, conecte estes fios aos fios da bomba de cores correspondentes.  
**IMPORTANTE:** verifique se nenhum fio desencapado esteja exposto.
6. Dobre os fios na caixa de derivação e recoloque, certificando-se de que a gaxeta da tampa esteja no lugar. Verifique se todos os parafusos estão encaixados, para que não haja espaço entre a estrutura e a caixa de derivação (consulte o diagrama do Passo 6 na **página 6**)

\*Cabo 12 AWG não fornecido apenas com modelos de bombas

### Fiação móvel do tanque para um sistema elétrico de veículo

1. Antes da instalação elétrica, coloque a alavanca da chave na posição OFF (Desligada) para evitar derramamento acidental quando a alimentação estiver acoplada ao motor.
2. Passe os fios elétricos à fonte do sistema elétrico do veículo, apoiando-os conforme necessário e protegendo-os de bordas afiadas, calor ou qualquer coisa que possa causar danos.
3. Para determinar se o sistema elétrico do veículo é aterrado em negativo (-) ou positivo (+), verifique a marcação na bateria do terminal que está conectado ao bloco do motor ou estrutura do veículo. O fio vermelho da bomba vai se conectar ao terminal positivo da bateria e o fio preto da bomba vai se conectar ao terminal negativo. Estas instruções concentram-se em sistemas de aterramento negativo COMUNS. Sistemas positivos INCOMUNS são uma ocorrência rara. Faça referência ao desenho na **Página 9** para obter informações sobre sistemas terrestres positivos.
4. A Fill-Rite requer a instalação de um porta-fusível e um fusível (não fornecido) para proteção da bomba adquirida. Prenda uma extremidade do porta-fusível na extremidade do fio não aterrado, fazendo uma conexão sólida. A outra extremidade do porta-fusível é então conectada ao lado não aterrado da bateria, o mais próximo possível da bateria. Faça uma conexão elétrica sólida ao lado aterrado da bateria com o fio remanescente. É necessária a utilização de uma conexão do terminal da bateria (não fornecida pela Fill-Rite) para a conclusão do circuito elétrico.
5. Verifique todas as conexões para garantir que estejam conectadas de acordo com as instruções e todos os códigos elétricos. Instale o fusível (fusível de 30 ampères para 12 V CC; fusível de 20 ampères para 24 V CC) no suporte do fusível. A instalação está concluída.

### Fiação móvel do tanque para um sistema não-veículo

Embora raro, há casos em que uma bomba de combustível Fill-Rite de 12 V ou 24 V CC não opera a partir do sistema elétrico de um veículo. Nesses casos, recomendamos ligar para o Serviço Técnico da Fill-Rite no número 1 (800) 720-5192 (segunda à sexta, das 8h às 17h EST/EDT) para discutir sua situação específica. A maioria dessas aplicações exigirá equipamentos não fornecidos pela Fill-Rite. Além disso, queremos garantir que o circuito possa atender aos requisitos de energia necessários da bomba.

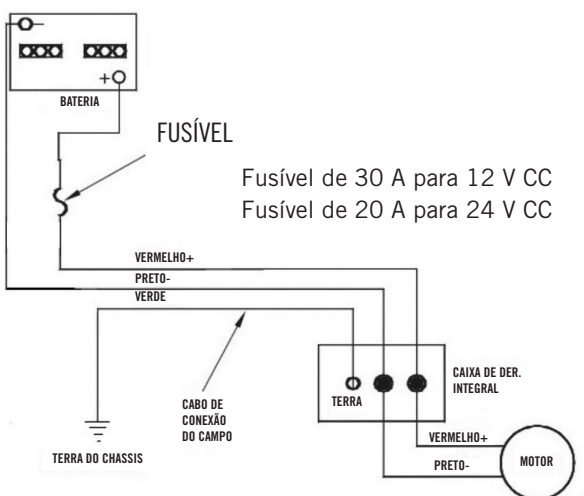
### Fiação estacionária do tanque

1. Antes da instalação elétrica, coloque a alavanca da chave na posição OFF (Desligada) para evitar derramamento acidental quando a alimentação estiver acoplada ao motor.
2. A Fill-Rite requer a instalação de um porta-fusível e um fusível (não fornecido) para o proteção da bomba adquirida.
3. Conecte uma extremidade do porta-fusível ao fio vermelho da bomba, o mais próximo possível da bateria ou da fonte de energia. Faça uma conexão sólida ao terminal positivo da fonte de energia com a outra extremidade do porta-fusível. Faça uma conexão sólida com o fio preto da bomba no terminal negativo da fonte de energia.
4. Verifique todas as conexões para garantir que estejam conectadas de acordo com as instruções e todos os códigos elétricos.
5. Instale o fusível (fusível de 30 ampères para 12 V CC; fusível de 20 ampères para 24 V CC) no suporte do fusível.
6. A instalação está concluída.

### Sistema de aterramento negativo (comum)

Esse sistema elétrico é comum na maioria dos veículos que utilizam uma fonte de energia de 12 V CC. Nesse caso, o terminal positivo da bateria fornece energia a todos os dispositivos, como o sistema de ignição. O terminal negativo (-) está conectado à estrutura do veículo.

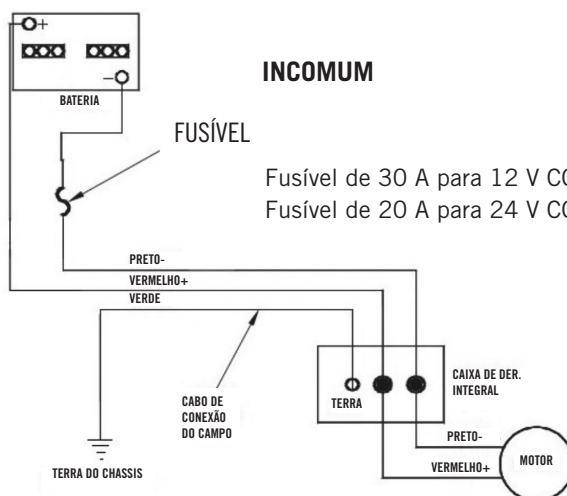
O fusível deve estar localizado fora da área perigosa, o mais perto possível da fonte de alimentação. Se a fiação da fonte de alimentação para a bomba for maior que 5,5 m (18 pés), consulte os Códigos Elétricos aplicáveis (locais, nacionais ou internacionais) para garantir que o fio seja do tamanho correto para esta aplicação.



### Sistema de aterramento positivo (incomum)

Esse sistema elétrico é incomum na maioria dos veículos que utilizam uma fonte de energia de 12 V CC. O chassi do veículo está conectado ao terminal positivo (+) da bateria.

O fusível deve estar localizado fora da área perigosa, o mais perto possível da fonte de alimentação. Se a fiação da fonte de alimentação para a bomba for maior que 5,5 m (18 pés), consulte os Códigos Elétricos aplicáveis (locais, nacionais ou internacionais) para garantir que o fio seja do tamanho correto para esta aplicação.



**Instruções de instalação elétrica de 115 V CA para bombas de transferência de combustível FR600/SD600**

**⚠ DANGER**

- Todas as bombas vão operar na tensão nominal indicada na placa de identificação.
- A energia elétrica de corrente alternada (CA) deve ser fornecida para a bomba por um circuito dedicado com uma proteção de circuito de 15 A. Nenhum outro equipamento deve ser alimentado por este circuito.
- A fiação deve ser de tamanho suficiente para transportar a corrente correta para a bomba.
- A queda de tensão vai variar com a distância até a bomba e o tamanho do fio; consulte o Código Elétrico Nacional (NEC), ou códigos locais, no que diz respeito a compensação de queda de tensão, para certificar-se de que está usando o tamanho de fio correto para sua aplicação. Fios com tamanho muito pequeno podem superaquecer e causar incêndio.
- Garanta o aterramento adequado para evitar eletrocussão.
- Cada motor Fill-Rite é rotulado como à prova de explosão para locais perigosos Classe I/Divisão 1. É altamente recomendável que qualquer reparo seja feito por um distribuidor autorizado para evitar anular a garantia. É muito importante manter a integridade à prova de explosão dos componentes do motor e do sistema.
- A instalação elétrica SÓ deve ser realizada por um electricista licenciado, em conformidade com os códigos elétricos NEC/ANSI/NFPA 70, NFPA30 e NFPA 30A), conforme aplicável para o uso pretendido da bomba. A bomba deve ser devidamente aterrada. A instalação ou uso incorreto desta bomba pode resultar em ferimentos pessoais graves ou morte.

**⚠ AVERTISSEMENT**

- O fio-terra na fiação de alimentação DEVE estar conectado ao parafuso de aterramento dentro da caixa de derivação.

**⚠ ATTENTION**

A queda de tensão na fiação varia dependendo da distância da fonte de eletricidade para a bomba e do calibre do fio usado. A Fill-Rite recomenda consultar os códigos elétricos nacionais, internacionais ou locais para garantir que o fio tenha o tamanho correto para sua aplicação. A tabela a seguir deve ser usada como referência e não substitui códigos elétricos.

Distância linear máxima em metros (pés) do comprimento do fio de cobre sólido e trançado por bitola								
	AWG	16	14	12	10	8	6	4
Fio	Sólido	12 (39)	19 (62)	30 (99)	48 (158)	76 (250)		
	Trançado	12 (38)	19 (61)	29 (96)	47 (154)	75 (245)	119 (389)	189 (620)

**Procedimento de fiação CA de 115 V**

1. Remova a tampa da caixa de derivação e estique os fios para garantir que as extremidades de fios desencapados estejam acessíveis fora da caixa de derivação.
2. Instale conduítes rígidos e fiação adequada da fonte de alimentação para a caixa de derivação para manter a integridade à prova de explosões.
3. Conecte os fios da bomba às linhas de energia de acordo com o diagrama de fiação. Certifique-se de isolar adequadamente as conexões com as porcas de fio apropriadas ou outros conectores. Observe que o fio-terra DEVE estar conectado. A conexão do fio terra está dentro da caixa de derivação (Diagrama 6b).
4. Dobre os fios de volta na caixa de derivação e recoloca a tampa, certificando-se de que a gaxeta da tampa esteja no lugar.

**Caixa de derivação da bomba CA de 115 V (bombas de transferência de combustível CA da série FR/SD600)**

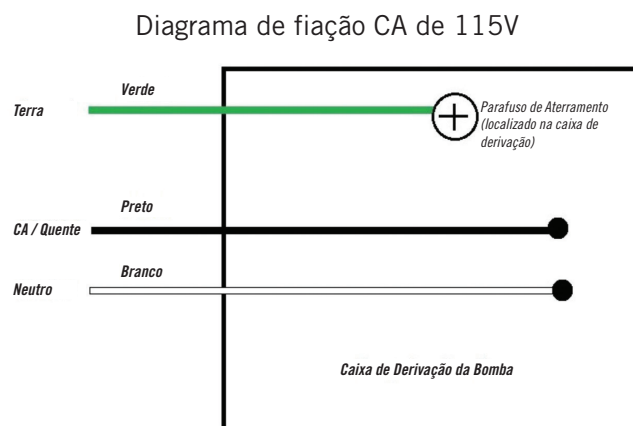
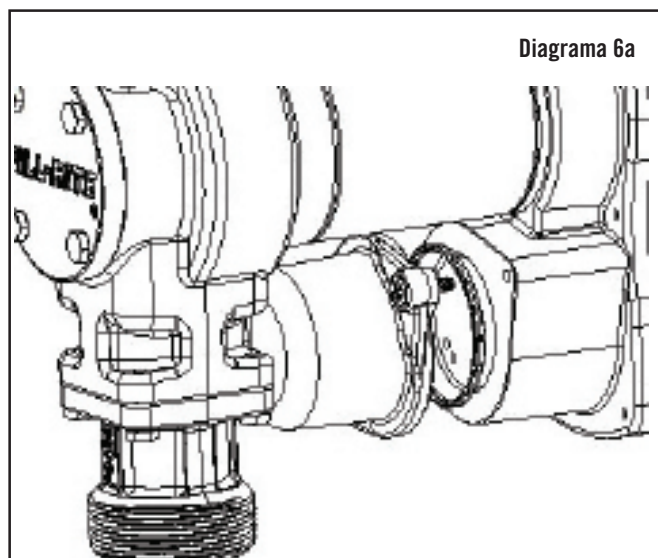
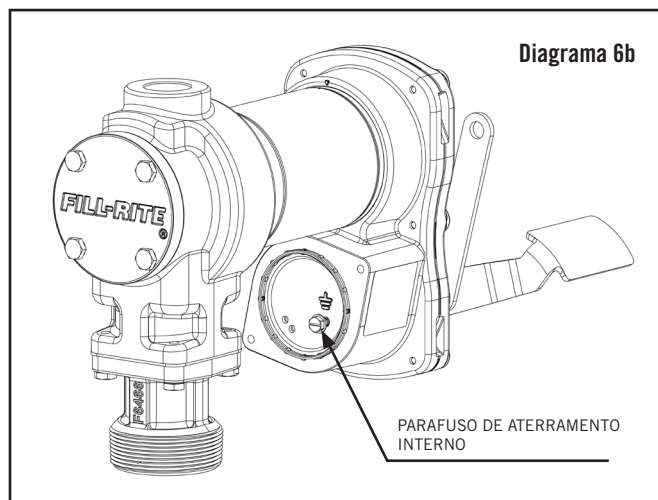


Diagrama de fiação CA de 115 V para bombas de transferência de combustível CA FR/SD600.

Um fio terra deve ser incluído no cabo de alimentação da linha de alimentação. Este fio deve ser conectado ao terminal do parafuso terra na parte interna da superfície da caixa de derivação.

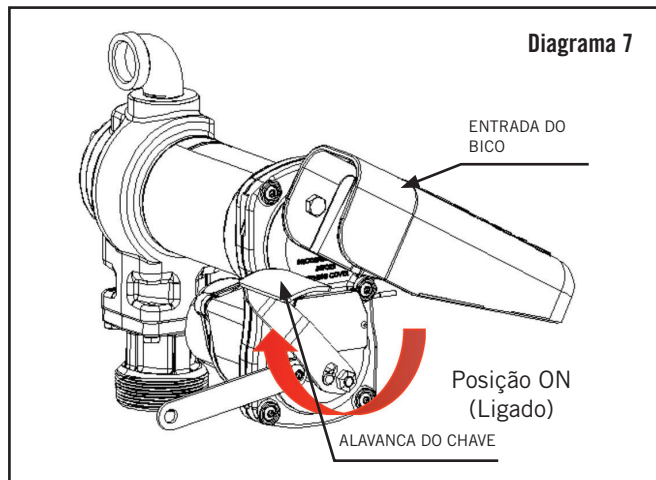


**Instruções de operação**

**⚠ DANGER**

Mantenha sempre o bocal em contato com o recipiente sendo abastecido durante o processo de abastecimento para reduzir a possibilidade de acúmulo de eletricidade estática. Uma faísca ao redor de vapores inflamáveis causará uma explosão, resultando em morte ou ferimentos graves.

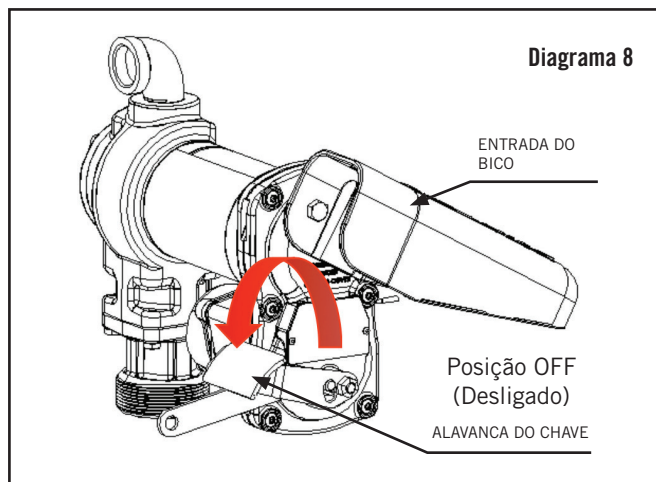
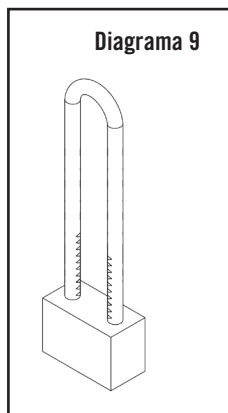
1. Reajuste o medidor para “0”, se houver um (não reinicie enquanto estiver em uso, pois isso danificará o medidor).
2. Remova o bocal de distribuição da entrada do bocal.
3. Mova a alavanca da chave para a posição ON (Ligado) para energizar a bomba (Diagrama 7).
4. Insira o bocal de distribuição no recipiente a ser abastecido.
5. Opere o bocal para liberar o fluido; solte o bocal quando a quantidade desejada de líquido tiver sido fornecida.
6. Mova a alavanca da chave para a posição OFF (Desligado) (Diagrama 8) para desligar a bomba.
7. Remova o bocal de distribuição do recipiente sendo abastecido e guarde na entrada do bocal.



**Segurança**

Sua bomba de transferência de combustível Fill-Rite está equipada com um link de travamento localizado próximo à alavanca da chave, para segurança. Com a bomba desligada e o bocal na posição de armazenamento, um cadeado pode ser inserido através do elo de travamento e da alça do bocal.

A Fill-Rite recomenda um cadeado de aço laminado de qualidade comercial com uma manilha ajustável (Diagrama 9).



**Solução de problemas**

O guia para solução de problemas a seguir é fornecido para apresentar assistência de diagnóstico básica caso você observe um funcionamento anormal da sua bomba de transferência de combustível Fill-Rite. Em caso de dúvidas, entre em contato com o Atendimento ao Cliente da Fill-Rite pelo telefone 1 (800) 720-5192 (segunda à sexta, das 8h às 17h EST/EDT) ou por e-mail para [fillritetech@fillrite.com](mailto:fillritetech@fillrite.com).

**⚠ DANGER**

Desconecte todas as fontes de alimentação da bomba CA ou CC antes de executar qualquer serviço ou manutenção, além de aliviar qualquer pressão no tubo de sucção ou na mangueira de descarga. A falha em fazê-lo pode resultar em danos para o equipamento e ferimentos pessoais ou morte.



**Solução de problemas (continuação)**

Sintomas	Causa	Solução
A bomba não escorva	Problema na linha de aspiração	Verifique se há vazamentos ou restrições na linha de aspiração
	Válvula de desvio aberta	Remova e inspecione a válvula; ela deve mover-se livremente e estar livre de detritos
	Palhetas prendendo	Verifique as palhetas e slots do rotor quanto a chanfros, rebarbas e desgaste
	Desgaste excessivo do rotor ou palhetas	Inspeccione se há desgaste excessivo ou danoso no rotor e nas palhetas; substitua, se necessário
	Bocal automático	Remova para escorvar a bomba
	Bloqueios do sistema	Verifique se há detritos no filtro e na válvula de desvio; remova o bocal e teste o fluxo com a bomba LIGADA
Baixa capacidade	Excesso de sujeira na tela	Remova e limpe a tela
	Problema na linha de aspiração	Verifique se há vazamentos ou restrições na linha de aspiração
	Válvula de desvio prendendo	Remova e inspecione a válvula; ela deve mover-se livremente e estar livre de detritos
	Saída obstruída	Verifique se a mangueira de saída da bomba, o bocal e o filtro estão obstruídos
	Palhetas prendendo	Verifique as pás e os slots do rotor quanto a desgaste; substitua se necessário
	Desgaste excessivo do rotor ou palhetas	Inspeccione se há desgaste excessivo ou danoso no rotor e nas palhetas; substitua, se necessário
	Dano na mangueira ou bocal	Substitua a mangueira ou o bocal (a Fill-Rite recomenda mangueiras e bicos com classificação UL)
	Filtro entupido	Troque o filtro
	Nível de fluido baixo	Encha o tanque
Bomba operando lentamente	Tensão incorreta	Verifique a tensão da linha de alimentação de entrada
	Palhetas prendendo	Inspeccione as palhetas e slots quanto a chanfros, rebarbas e desgaste
	Problema na fiação	Verifique se há conexões soltas
	Problema no motor	Entre em contato com o Atendimento ao Cliente da Fill-Rite pelo telefone 1 (800) 720-5192 (segunda à sexta, das 8h às 17h EST/EDT)
Motor perde a velocidade/ fusível estoura ou proteção térmica dispara repetidamente	Válvula de desvio prendendo	Remova e inspecione a válvula; ela deve mover-se livremente e estar livre de detritos
	Baixa tensão	Verifique a tensão da linha de alimentação de entrada
	Desgaste excessivo do rotor ou palhetas	Verifique o rotor e as palhetas quanto a desgaste excessivo ou danos
	Detritos na cavidade da bomba	Limpe os detritos da cavidade da bomba
Superaquecimentos do motor	Transferência de fluidos de alta viscosidade	Estes fluidos só podem ser bombeados por um período curto de tempo (ciclo de trabalho menor que 30 minutos)
	Tela entupida	Remova a entrada e limpe a tela
	Tubo de aspiração restrito	Remova e limpe o tubo
	Falha do motor	Entre em contato com o Atendimento ao Cliente da Fill-Rite pelo telefone 1 (800) 720-5192(segunda à sexta, das 8h às 17h EST/EDT)
	Travamento do rotor da bomba	Limpe e verifique as palhetas e rotor da bomba
Motor inoperável	Ausência de energia	Verifique a tensão da linha de alimentação de entrada
	Problema de fiação	Use o multímetro para isolar problemas com a alimentação da linha de suprimento
	Falha do motor	Entre em contato com o Atendimento ao Cliente da Fill-Rite pelo telefone 1 (800) 720-5192 (segunda à sexta, das 8h às 17h EST/EDT)
	Rotor bloqueado	Limpe e verifique o rotor da bomba; repare conforme necessário com o KIT120RG
	Fiação solta/incorreta	Verifique o tamanho correto do fio com códigos elétricos locais, estaduais e nacionais
Vazamento de fluido	Gaxeta O-ring ruim	Verifique e substitua todas as gaxetas do O-ring (tampa do rotor/flange de entrada/tampa de desvio)
	Vedação de eixo suja/ruim	Substitua a vedação do eixo com o KIT120SL
	Fluido incompatível	Consulte a lista de peças molhadas na <b>Página 14</b> ao fabricante de fluidos
	Fixadores soltos	Aperte os fixadores
Bomba emite zumbido, mas não funciona	Falha do motor	Entre em contato com o Atendimento ao Cliente da Fill-Rite pelo telefone 1 (800) 720-5192 (segunda à sexta, das 8h às 17h EST/EDT)
	Chave de rotor partida	Remova todos os detritos e recoloca a chave

## Especificações e modelos

Uma série de bombas de transferência de combustível com certificações UL/cUL compatíveis com gasolina, diesel, combustíveis misturados como biodiesel até 20%, gasolina com até 15% de etanol, álcool mineral e querosene.

Peças do produto	Materiais do produto
Carcaça da bomba	Ferro fundido
Rotor	Ferro pulverizado
Palheta	Bronze sinterizado
Malha do filtro	Aço inoxidável
Componentes molhados	Buna-N, Fluorocarbono, Cerâmico, Cortiça, Termofixo, Aço, Aço Inoxidável

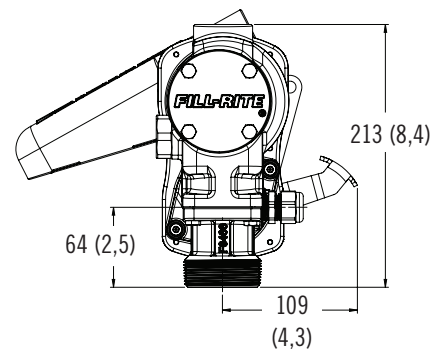
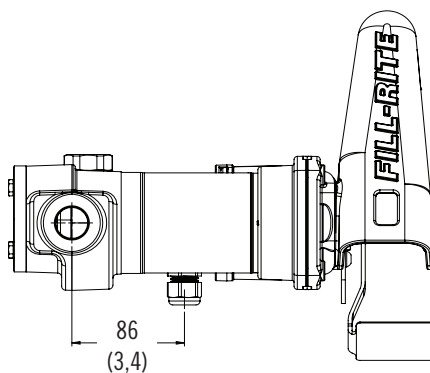
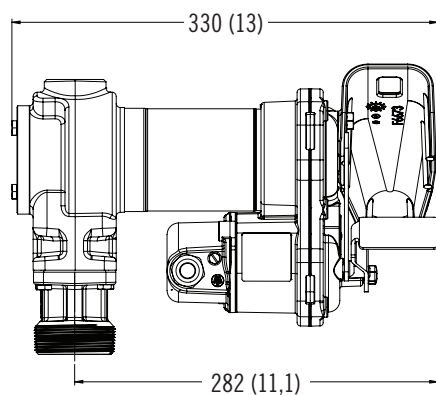
Descrição		FR1200	FR4200	SD1200	FR4400	FR2400	FR600	SD600	
Motor	Tensão, Alimentação (CC/CA)	12 V CC			24 V CC		115 V CA/60 HZ		
	Potência (HP)	1/4 <sup>°</sup>						1/6 <sup>°</sup>	
	A (carga total)	26	28	26	18	15	2,5		
	A (nominal)	20	19	20	13	10	2,0		
	RPM	2.600 RPM						2.000 RPM	
	Cabo de alimentação*	Comprimento	5,5 m (18 pés)		4,6 m (15 pés)	5,5 m (18 pés)		Não incluído	
		AWG	12						
	Ciclo de trabalho		30 minutos (ativado) e 30 minutos (desativado)						
	Proteção térmica (motor)		Sim						
	Proteção de circuito necessária		30 A			20 A		15 A	

\*Cabo de alimentação não incluído apenas nos modelos de bomba

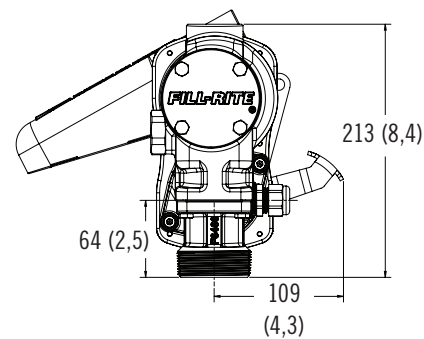
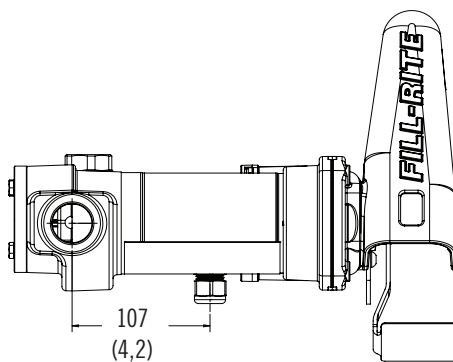
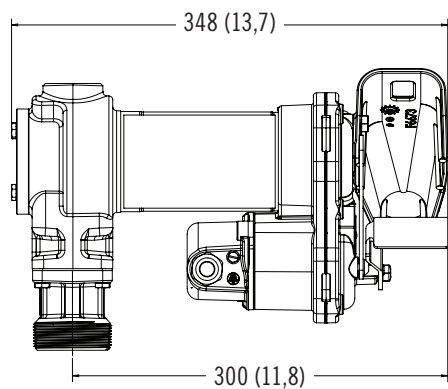
Descrição		FR1200	FR4200	SD1200	FR4400	FR2400	FR600	SD600	
Bomba	GPM máximo	15	20	13	20	15	13		
	Pressão de desvio	16 psi							
	Vácuo seco mínimo	0,17 bar (5 pol HG)							
	Ao nível do mar 21,1 °C (70 °F)	Elevador de sucção	2,4 m (8 pés) máximo						
		Cabeça de saída	11,3 m (37 pés) máximo						
	Entrada		NPT 1 pol						
	Saída		NPT 3/4 pol	NPT 1 pol	NPT 3/4 pol	NPT 1 pol	NPT 3/4 pol		
	Montagem		Tampão de entrada NPT de 2 pol						
	Garantia		Garantia vitalícia limitada <sup>†</sup>		1 ano	Garantia vitalícia limitada <sup>†</sup>		1 ano	

<sup>†</sup> Os detalhes da garantia podem ser encontrados em [fillrite.com](http://fillrite.com)

**FR1200, FR2400, FR4400, FR600, SD1200 e SD600** (Dimensões exibidas em milímetros [polegadas])



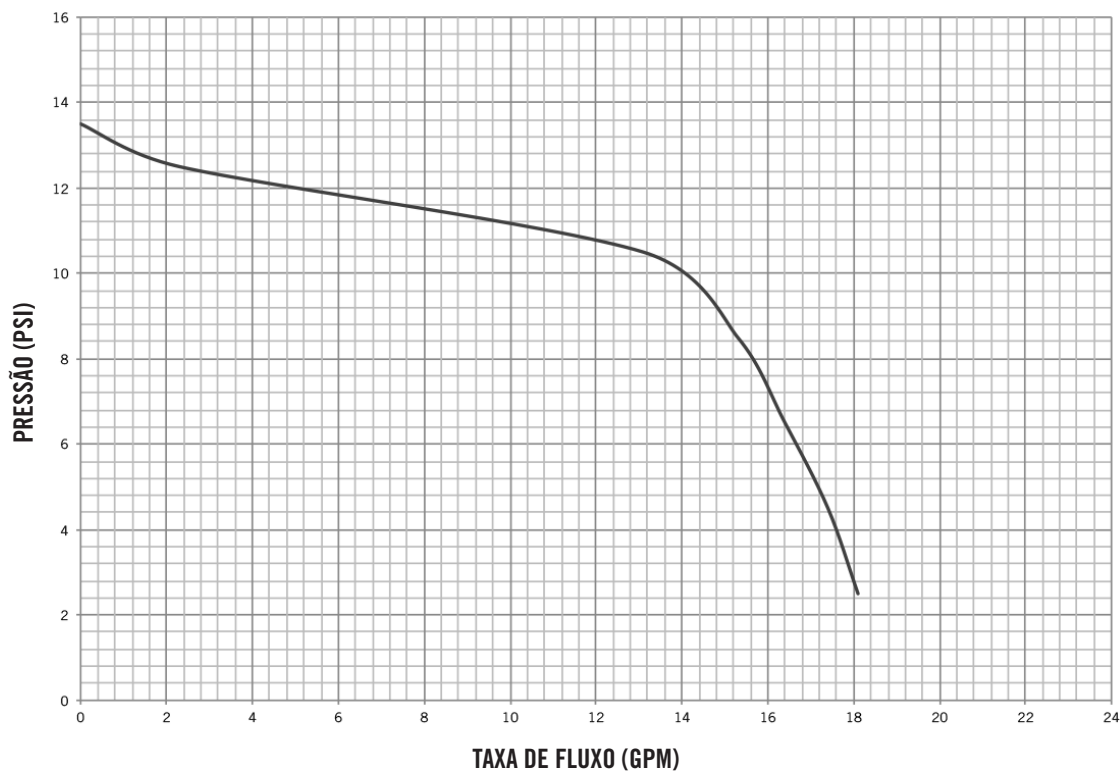
**FR4200** (Dimensões exibidas em milímetros [polegadas])



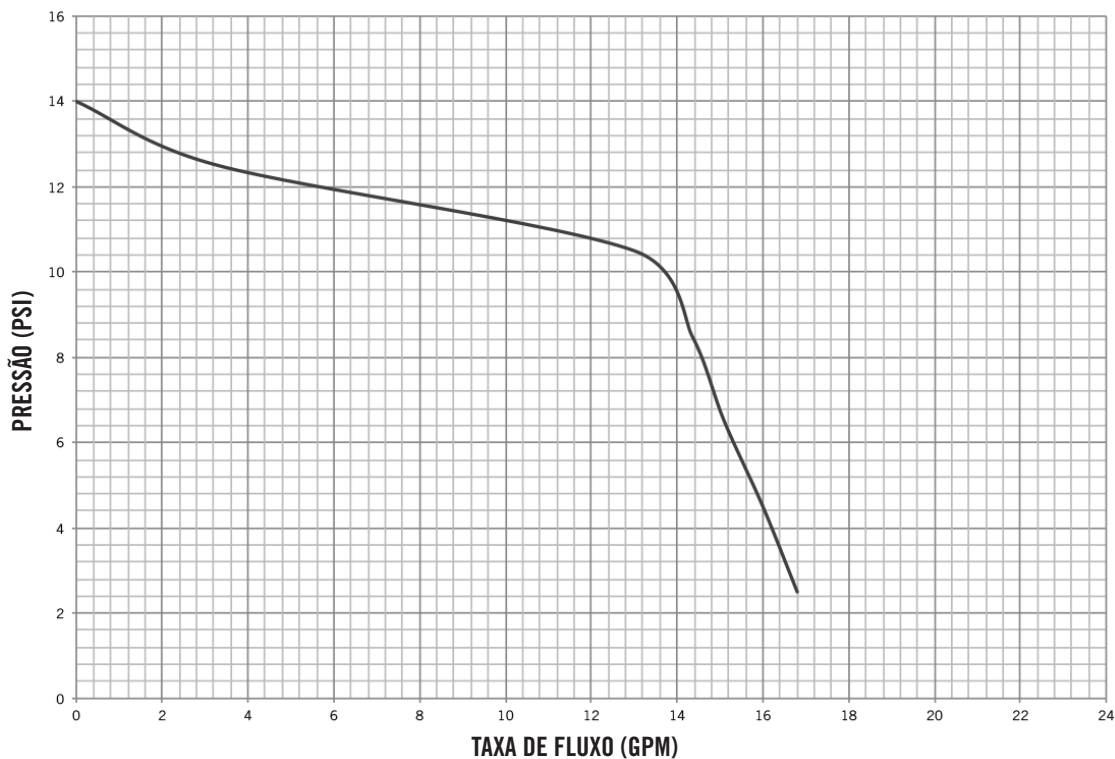
**Informações sobre o modelo da série H: FR1200, FR2400, FR4200, FR4400, FR600, SD1200, SD600**

Número do modelo	Bocal	Mangueira	Medidor	Tubo de entrada	Cabo de alimentação	Especial	Tensão	Saída
FR1204H	Modelo somente bomba						12 V CC	3/4 pol
FR1210H	Manual	3,7 m (12 pés)		Telescopia em metal 508 mm - 876 mm (20 pol - 34-1/2 pol)	12 AWG a 5,5 m (18 pés)			
FR1210HA	Auto gasolina	3,7 m (12 pés)						
FR1210HA1	Auto diesel	3,7 m (12 pés)						
FR1210HARC	Auto Arctic	4,6 m (15 pés)				Giratório		
FR1210HN								
FR1211H	Manual	3,7 m (12 pés)	807C					
FR1211HL	Manual	3,7 m (12 pés)	807CL					
FR1211HLN			807CL					
FR1211HN			807C					
FR1219H	Manual	3,7 m (12 pés)	TT10AN					
FR2404H	Modelo somente bomba						24V CC	
FR2410H	Manual	3,7 m (12 pés)		Telescopia em metal 508 mm - 876 mm (20 pol - 34-1/2 pol)	12 AWG a 5,5 m (18 pés)			
FR2411H	Manual	3,7 m (12 pés)	807C					
FR2411HL	Manual	3,7 m (12 pés)	807CL					
FR4204H	Modelo somente bomba						12 V CC	1 pol
FR4210H	Manual	3,7 m (12 pés)		Telescopia em metal 508 mm - 876 mm (20 pol - 34-1/2 pol)	12 AWG a 5,5 m (18 pés)			
FR4210HARC	Auto Arctic	6,1 m (20 pés)				Giratório		
FR4210HB	Fluxo ultra-alto	3,7 m (12 pés)						
FR4210HD	Auto diesel	3,7 m (12 pés)						
FR4210HDS	Auto diesel	3,7 m (12 pés)				Giratório		
FR4210HBFQ	Fluxo ultra-alto	5,5 m (18 pés)				10 AWG a 7,6 m (25 pés) com braçadeiras		
FR4210HN					12 AWG a 5,5 m (18 pés)			
FR4211H	Manual	3,7 m (12 pés)	901C					
FR4211HL	Manual	3,7 m (12 pés)	901CL					
FR4211HLN			901CL					
FR4211HN			901C					
FR4219H	Manual	3,7 m (12 pés)	TT10AN					
FR4406H	Modelo somente bomba						24 V CC	
FR4410H	Manual	3,7 m (12 pés)		Telescopia em metal 508 mm - 876 mm (20 pol - 34-1/2 pol)	12 AWG a 5,5 m (18 pés)			
FR604H	Modelo somente bomba						115 V CA	
FR610H	Manual	UL 3,7 m (12 pés)		Telescopia em metal 508 mm - 876 mm (20 pol - 34-1/2 pol)				
FR610HA	Auto gasolina	UL 3,7 m (12 pés)						
SD1202H	Manual	3 m (10 pés)		PVC, 387 mm - 743 mm (15-1/4 pol - 29-1/4 pol)	12 AWG a 4,6 m (15 pés)	12V CC	3/4 pol	
SD1202HA	Auto gasolina	3 m (10 pés)			12 AWG a 4,6 m (15 pés)			
SD602H	Manual	UL 3,7 m (12 pés)		PVC, 387 mm - 1099 mm (15-1/4 pol - 43-1/4 pol)		115 V CA		

**Curva de desempenho da série 1200**



**Curva de desempenho da série 2400**



**Curva de desempenho da série 4200**



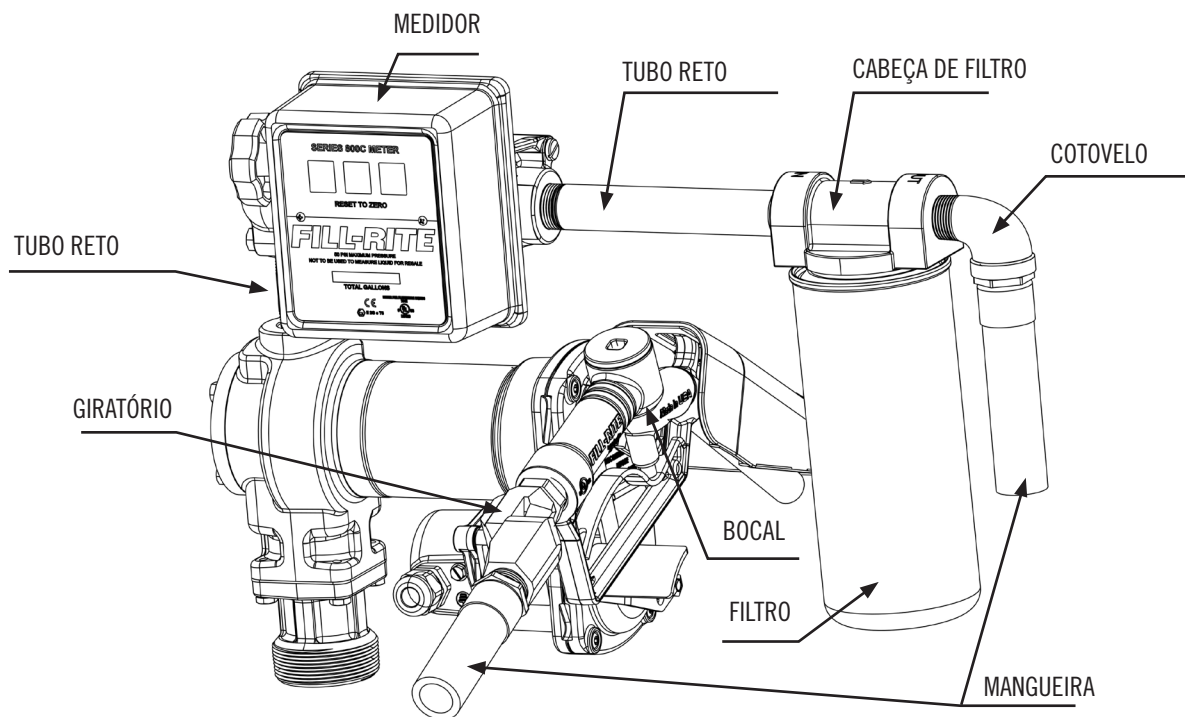
**Curva de desempenho da série 4400**



**Curva de desempenho da série 600**



**Acessórios**



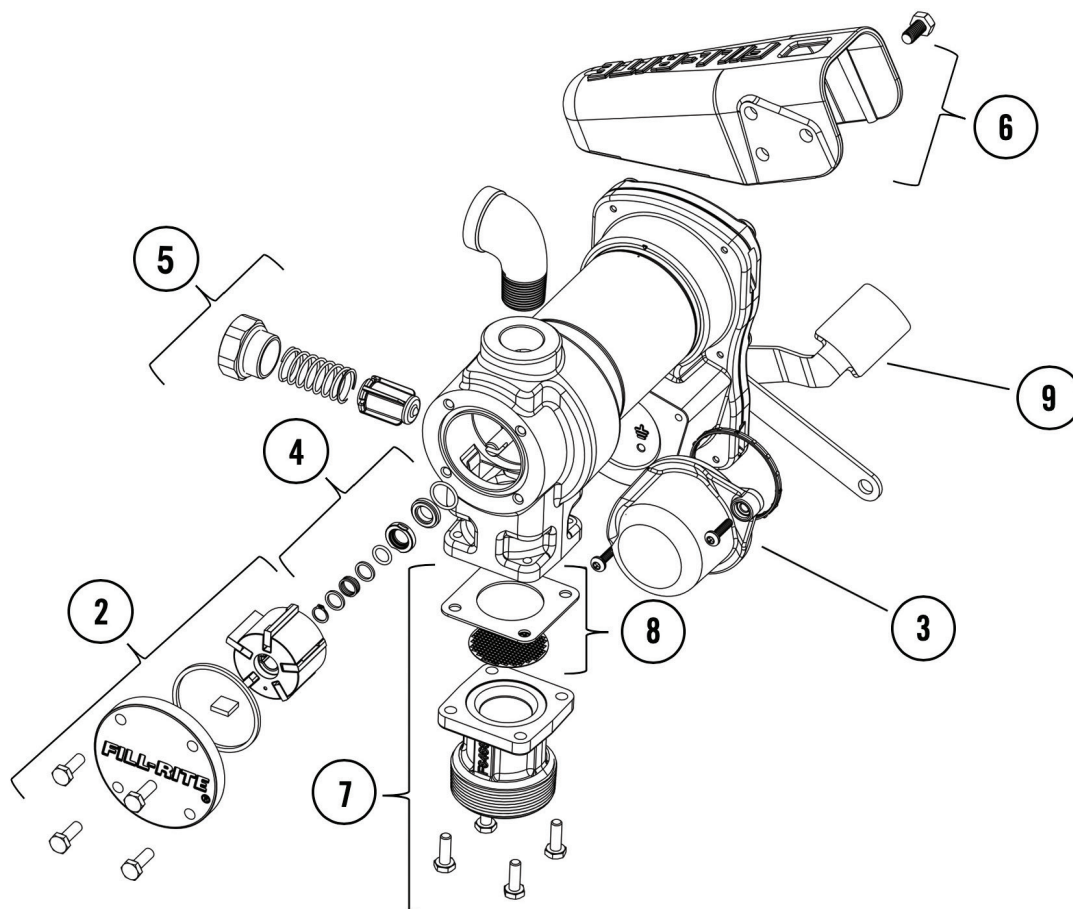
Configuração adequada de acessórios

**Acessórios** (contínuo)

Acessório	Série		Tamanho da tomada		Observações	
			3/4 pol	1 pol		
Bocal	Manual		FRHMAN075S	FRHMN1005	Gasolina/Diesel	
	Automático	Alto fluxo	N075UAU10	N100DAU12	Inicialização vermelha	
			N075DAU10	N100DAU12G	Inicialização verde	
		Ártico	FRNA075DAU10	FRNA100DAU00	Tempo frio (-40°C/°F)	
		Fluxo ultra-alto			N100DAU13	Inicialização vermelha
					N100DAU13G	Inicialização verde
					N100DAU13Y	Inicialização amarelo
Mangueira	12 pés, UL nominal		700F3135	300F7773	Compatível com gasolina, diesel, querosene e óleos de petróleo	
	3,7 m (12 pés)		FRH07512	FRH10012		
	4,3 m (14 pés)		FRH07514	FRH10014		
	6,1 m (20 pés)		FRH07520	FRH10020		
Medidor	Mecânico	800	807CMK		Galões	
			807CLMK		Litros	
		900		901CMK4200	Galões	
				901CLMK4200	Litros	
	Digital	900		900CD	Programador	
				900CDP	Programável com pulsar integral	
		TT		TT10AB	BSPP, alumínio	
				TT10ABC	BSPP, niquelado	
			TT10AN	NPT, alumínio		
			TT10ANC	NPT, niquelado		
Giratório	Múltiplos planos		S075H1314	S100H1315	Rotação de 360°	
Filtro	Cabeças		1200KTG9075 (filtros F18)	700ACCF7017 (filtros F40)	Compatível com gasolina/diesel	
	Particulado		F1810PMO (10 microns/18GPM)	F4010PMO (10 microns/40GPM)		
				F4030PMO (30 microns/40 GPM)		
	Hydrosorb	F1810HMO (10 microns/18 GPM)				



**Kits de serviço da bomba**



No.	Kit	Descrição	Peças
1	KIT120BD*	Kit de biodiesel	O-ring, vedações da tampa de entrada e de desvio, gatilho da válvula de desvio
2	KIT120RGG	Kit de rotor e palheta	Tampa de rotor, rotor, palhetas, chave de rotor, selo O-ring, ferragens de fixação
3	KIT120JCH	Kit de tampa da caixa de derivação	Tampa de caixa de derivação, selo, fixadores
4	KIT120SL	Kit de selos de vedação	O-ring, selos de vedação de eixo, grampo de retenção
5	KIT120BV	Kit de serviço para válvula de desvio	Válvula de desvio, mola de válvula, tampa de desvio, selo O-ring
6	KIT120NB	Kit de entrada do bico	Tampa do bocal, ferragens de fixação
7	KIT120BG	Kit de flange de admissão	Flange de admissão (tampão), ferragens de fixação, selo de entrada, tela
8	KIT120SG	Tela e gaxeta de entrada	Gaxeta para entrada (tampão) e tela
9	KIT120SWH	Kit da alavanca do interruptor	Alavanca da chave, ferragens de montagem

\*KIT120BD não é mostrado no diagrama acima

## Aprovações de teste de segurança

A linha de bombas Fill-Rite foi testada quanto à segurança quanto à conformidade regulamentar. Esta família de produtos é aprovada pelo Underwriters Laboratories (UL).



## Informações de identificação do motor

A etiqueta do motor na sua bomba Fill-Rite contém informações técnicas e de desempenho importantes. Garanta que esta etiqueta permaneça afixada à bomba a todo o momento.

<b>FILL-RITE</b>		MADE IN U.S.A. LB002540-009
STYLE R 2800HE	Segurança	
EXPLOSION-PROOF MOTOR	<b>IEC</b>	IEEx10.0005X
12 VOLTS DC	<b>INMETRO</b>	Ex db IIA T6 Gb
55°C RISE	30 MIN	FMG19.0013X
1/4 HP	2600 RPM	EAC
ENTRY THREADS ARE M20X 1.5 6H		2809
CAUTION – MOTOR HAS AUTOMATIC RESET THERMAL PROTECTOR		

**FILL-RITE**  
A GORMAN-RUPP COMPANY

Fill-Rite Company  
8825 Aviation Drive  
Fort Wayne, Indiana 46809 USA

P (800) 720-5192  
(+01) 260-747-7524  
F (800) 866-4681



fillrite.com | soteracom | gormanrupp.com

# FILL-RITE®

## KRAFTSTOFFTRANSFERPUMPEN DER SERIE H

FR1200, FR2400, FR4200, FR4400, FR600, SD1200, SD600

Einbau- und Betriebsanleitung



MADE IN  
**USA**   
WITH GLOBAL MATERIALS

**GR**  
GORMAN-RUPP  
COMPANY

**Inhalt**

Bestimmungen der eingeschränkten Garantie ..... 2

Zu diesem Handbuch ..... 3

Symbole und Definitionen ..... 3

Erste Schritte ..... 3

Sicherheitsinformationen ..... 4

Einbau ..... 5

12-VDC- und 24-VDC-Verkabelungsanweisungen ..... 7

115-VAC-Verkabelungsanweisungen ..... 10

Betriebsanweisungen ..... 12

Sicherheit ..... 12

Störungsbeseitigung ..... 12

Technische Daten und Modelle ..... 14

Leistungskurven ..... 17

Zubehör ..... 19

Pumpen-Wartungssätze ..... 21

Zulassungen ..... 22

Motortypenschild ..... 22

**Vielen Dank!**

Vielen Dank, dass Sie den Kraftstofftransferpumpen der Marke Fill-Rite® vertrauen. Ihre Sicherheit ist uns sehr wichtig. Deshalb lesen Sie bitte die Verfahren in diesem Handbuch gründlich durch. Heben Sie diese Anweisungen zur zukünftigen Bezugnahme auf und notieren Sie das Modell, die Seriennummer und das Kaufdatum der Kraftstofftransferpumpe. Schützen Sie sich selbst und umstehende Personen, indem Sie alle Sicherheitsanweisungen beachten und alle Gefahren-, Warn- und Vorsichtshinweise befolgen. Registrieren Sie Ihr Fill-Rite®-Produkt bitte auf [info.fillrite.com/product\\_registration](http://info.fillrite.com/product_registration).

**WICHTIGE RÜCKGABERICHTLINIE**

**Bringen Sie dieses Produkt nicht in das Geschäft zurück.** Alle Fragen bzgl. Garantie und Produkt richten Sie bitte unter 1 (800) 720-5192 (Mo-Fr, 8-17 Uhr EST/EDT) an den Fill-Rite-Kundendienst.

MODELL-NR.	
SERIEN-NR.	
KAUFDATUM:	



**Bestimmungen der eingeschränkten Garantie**

Fill-Rite Company gewährleistet, dass die hergestellten Waren frei von Werkstoff- und Fertigungsmängeln sind. Genaue Einzelheiten zur Garantie einzelner Produkte sind auf [fillrite.com](http://fillrite.com) zu finden.




## Funktionsmerkmale der Kraftstofftransferpumpen der Serie H

- **Verstellbare elektrische Verteilerdose**  
Kann 180 Grad gedreht werden, um die Verdrahtung bei Platzmangel zu vereinfachen – unabhängig vom Ort des Einlassspundlochs.
- **Zuverlässiger, robuster Netzschalthebel**  
Mit einem Anschlag aus Gussmetall für starke Belastungen in schwierigen Umgebungen.
- **Schlossriegel**  
Der lange Schlossriegel vereinfacht das Absperrern mit einem Vorhängeschloss, um Diebstahl vorzubeugen.
- **Verringertes Gewicht bestimmter Bauteile**  
Gewährleistet robuste Leistung und vereinfacht gleichzeitig den Einbau.
- **Prämium-Schutzlackierung**  
Eine ausgezeichnete, korrosionsfeste Lackschicht für Langlebigkeit im Einsatz.
- **Thermisch geschützter Motor**  
Verhindert Überhitzung und gewährleistet maximale Motorlebensdauer.
- **Ausziehbares Saugrohr aus Metall\***  
Zwischen 508 und 864 mm (20 und 34 Zoll) Länge verstellbar; ermöglicht die Universalmontage auf Tanks verschiedenster Größen und Formen.  
\*Nicht im Lieferumfang von SD-Modellen enthalten
- **Schutz durch Einlasssieb**  
Schützt die Pumpe, da Kontaminationen aus der Pumpe ferngehalten werden.
- **Zulassungen** – UL, cUL

## Zu diesem Handbuch

Vom anfänglichen Konzept bis zur endgültigen Produktion ist die Fill-Rite-Kraftstofftransferpumpe für problemlosen Betrieb auf Jahre hinaus ausgelegt. Um Ihre Sicherheit und die Sicherheit von umstehenden Personen zu gewährleisten, müssen Sie dieses gesamte Handbuch durchlesen, bevor die Montage oder der Betrieb des neuen Produkts versucht wird. Wir raten dringend, dass sich Monteure und Benutzer mit den Begriffen, Abbildungen und technischen Daten in diesem Handbuch vertraut machen sowie die Warnsymbole und Definitionen genau beachten. Bei Fill-Rite ist Ihre Zufriedenheit mit unseren Produkten von höchster Bedeutung. Wenn Sie Fragen haben oder Hilfe für das Produkt benötigen, wenden Sie sich bitte unter der Rufnummer 1 (800) 720-5192 (Mo-Fr 8.00-17.00 Uhr EST) an den Kundendienst.

## Symbole und Definitionen

 <b>GEFAHR</b>	Weist auf eine Gefahrensituation hin, die bei Nichtvermeidung zu schweren oder tödlichen Verletzungen führen wird.
 <b>WARNUNG</b>	Weist auf eine Gefahrensituation hin, die bei Nichtvermeidung zu schweren oder tödlichen Verletzungen führen könnte.
 <b>VORSICHT</b>	Weist auf eine Gefahrensituation hin, die bei Nichtvermeidung zu mittelschweren oder leichten Verletzungen führen könnte.
<b>HINWEIS</b>	Weist auf wichtige Informationen hin, die sich nicht unmittelbar auf Gefahrensituationen beziehen.

## Erste Schritte

### Anforderungen an das Auftanken

Die Modelle Fill-Rite FR1200, FR2400, FR4200, FR4400, FR600 sowie SD1200 und SD600 sind für die Verwendung mit folgenden brennbaren und entzündlichen Flüssigkeit geeignet und zugelassen: Benzin und Benzinmischungen bis 15 % oder E15, Diesel, Biodieselmischungen bis 20 % oder B20, Kerosin und Mineralbeizen. Treffen Sie beim Umgang mit entzündlichen Flüssigkeiten bitte alle erforderlichen Vorsichtsmaßnahmen.

### Anforderungen an die Stromversorgung

Je nach Fill-Rite-Modell muss die Stromversorgung entweder eine 12-VDC-, eine 24-VDC- oder eine 115-VAC-Versorgung sein. Das Pumpenmotor-Typenschild neben dem Schalthebel enthält detaillierte elektrische Informationen. Nehmen Sie Bezug auf die entsprechenden elektrischen Anweisungen beginnend auf **Seite 7** (Gleichspannungsversorgung) oder **Seite 10** (Wechselspannungsversorgung).

### Zum Einbau erforderliche Werkzeuge:

Stahlrohrzange 14-24 Zoll, Gabelschlüssel oder Steckschlüssel ( 7/16 Zoll, 11 mm), T-25 Torx-Schlüssel, Universalmesser, Winkelschleifer oder Eisensäge (optional), Drahtzange, Abisolierer/Quetschzange und Gewindedichtungsmittel (optional).

*Hinweis: Fill-Rite liefert Teflon®-Dichtungsband für alle Modelle mit; siehe Angaben auf **Seite 16**.*

## Sicherheitsinformationen

Zur Gewährleistung des sicheren Einbaus und einwandfreien Betriebs lesen Sie bitte allen Text unter GEFAHR, WARNUNG, VORSICHT sowie HINWEISE gründlich durch und befolgen Sie diese Anweisungen.

### **GEFAHR**

Niemals in der Nähe eines Kraftstofftanks oder der Transferpumpe rauchen. Beim Pumpen einer entzündlichen Flüssigkeit verursachen offene Flammen oder Funken einen Brand. Unsachgemäße elektrische Verkabelung oder Montage kann zu schweren oder tödlichen Verletzungen führen.

### **WARNUNG**

Die Verkabelung darf NUR von einem lizenzierten Elektriker durchgeführt werden und muss dem vorgesehenen Verwendungszweck der Fill-Rite-Kraftstofftransferpumpe, den geltenden örtlichen und landesweiten Vorschriften, dem technischen Regelwerk sowie NEC/ANSI/NFPA 30, NFPA 30A und NFPA 70 entsprechen.

Verschraubte Kabelrohre, abgedichtete Anschlüsse und Leiterdichtungen müssen verwendet werden, wenn dies in diesen Bestimmungen vorgeschrieben ist.

Dieses Produkt muss vorschriftsmäßig geerdet sein, um statische Aufladung beim Umgang mit entzündlichen Produkten zu vermeiden. Statische Entladungen können Dämpfe entzünden und schwere oder tödliche Verletzungen verursachen.

Fill-Rite-Pumpen sind nicht für Wasser oder Flüssigkeiten geeignet, die für menschlichen Verzehr geeignet sind. Nicht zum Auftanken von Flugzeugen verwenden.

Zur Minimierung des Aufbaus statischer Elektrizität muss das Zapfventil während des gesamten Auftankvorgangs in Kontakt mit dem Behälter sein, der gefüllt wird. Nur einen Schlauch mit einem Statikableitungskabel verwenden, wenn entzündliche Flüssigkeiten gepumpt werden.

Die unsachgemäße mechanische Montage oder Verwendung kann zu schweren oder tödlichen Verletzungen führen.

### **VORSICHT**

Rohrgewindeverbindungen und Anschlüsse müssen mit geeignetem Dichtungsmittel oder Dichtungsband abgedichtet werden, um Leckage zu eliminieren.

Alle Fill-Rite-Pumpenmodelle sind mit einem thermischen Überlastschutz ausgestattet; bei Überhitzung schaltet sich der Motor aus, um Hitzeschäden zu vermeiden. Wenn der Motor durch einen Überlastschutz ausgeschaltet wird, den Schalthebel auf AUS stellen. Nachdem der Motor ausreichend abgekühlt ist, den Schalthebel auf EIN stellen, um den Kraftstofftransfer fortzusetzen.

Einige Fill-Rite-Modelle starten automatisch neu, wenn der Schalthebel nicht auf AUS gestellt ist, nachdem der Überlastschutz zurückgesetzt wurde. Als bewährte Praxis sollte der Schalthebel immer auf AUS gestellt werden, wenn der Motor überhitzt.

### **HINWEIS**

Am Auslass der Pumpe muss ein Filter vorgesehen werden, damit keine Fremdstoffe in den Kraftstofftank des Fahrzeugs oder der Maschine eingetragen werden. Für beste Ergebnisse empfehlen wir Fill-Rite-Filter.

Damit Kraftstofflagertanks sich nicht absetzen oder kippen, die Richtlinien des Tankherstellers zur vorschriftsmäßigen Verankerung befolgen.

**Einbau**

Die Fill-Rite-Pumpe ist zur Befestigung auf einem Tank vorgesehen. Sie wird an dem mit der Pumpe mitgelieferten Einlassflansch verschraubt. Übliche Einbauausführungen sind in Abb. 1 und 2 dargestellt. Die Pumpe verfügt über ein integriertes Bypassventil zur Flüssigkeitsrückführung, wenn die Pumpe bei geschlossenem Zapfventil betrieben wird.

**VORSICHT**

Keine zusätzlichen Rückschlagventile oder Fußventile verwenden, wenn in diese kein geeignetes Druckentlastungsventil integriert ist. Zu beachten: Zusätzliche Rückschlagventile verringern die Durchflussrate.

Zum Verlust von Kraftstoff durch Verdunstung kann ein druckfester Füllverschluss verwendet werden.

Rohrgewindeverbindungen und Anschlüsse müssen mit geeignetem Dichtungsmittel abgedichtet werden, um Leckage zu eliminieren.

Vorsichtig arbeiten, um ein Verkanten der Gewinde während des Einbaus zu vermeiden. Dadurch kann der Einlassflansch und auch der das Spundloch des Lagertanks beschädigt werden.

**HINWEIS**

Bei allen Tankanwendungen muss sichergestellt sein, dass der Tank gemäß Herstelleranweisungen ausreichend gesichert ist.

**Stationärer Tank**

Bei stationären Kraftstofftanks wird die Pumpe mit dem Pumpeneinlassflansch am Spundloch des Tanks montiert. Aufgrund der verschiedenen Größe von Lagertanks kann eventuell ein anwendungsspezifisches Einlassrohr erforderlich sein. Wir empfehlen ein schwarzes Eisenrohr mit 1-Zoll-NPT-Gewinde, dessen untere Öffnung mindestens 25 – 51 mm (1 – 2 Zoll) Abstand vom Tankboden hat. Die untere Öffnung sollte in einem Winkel von 30 – 45 Grad hergestellt werden, um den Durchfluss zu verbessern.

Ein stationärer Tank muss mit einem Verschluss mit Entlüftung versehen sein. (Abb. 1)

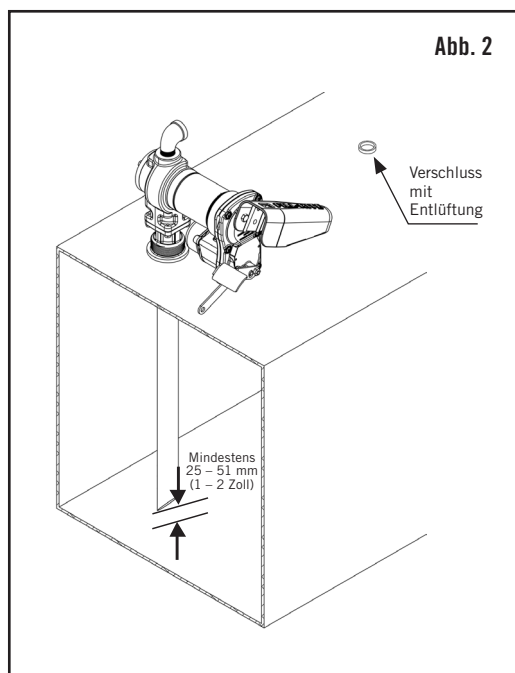
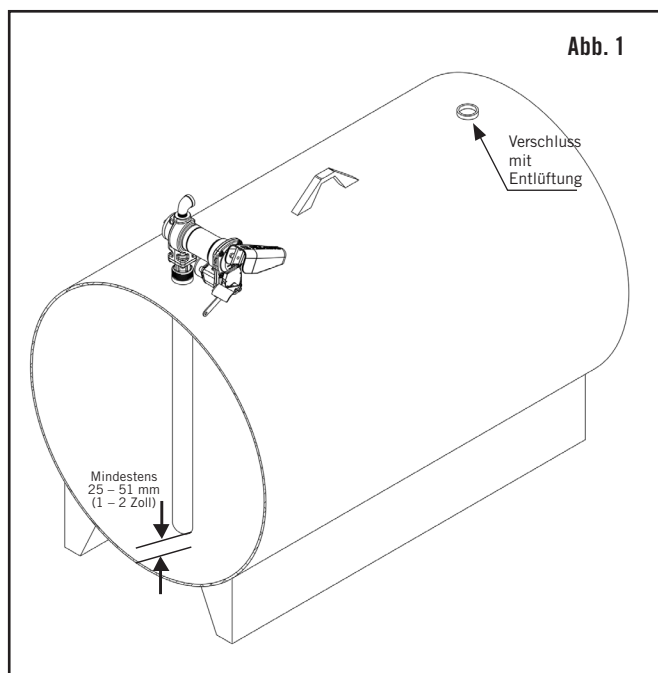
**Mobiler Tank**

Bei mobilen Kraftstofftanks wird die Pumpe mit dem Pumpeneinlassflansch am Spundloch eines Tanks montiert.

**Für ausziehbares Saugrohr aus Stahl**  
Das ausziehbare Rohr ganz bis zum Tankboden ausziehen.

**Für anwendungsspezifische oder PVC-Saugrohre**  
Damit der Tank nicht durchdrungen wird, sollte das Rohr einen Mindestabstand von 25 – 51 mm (1 – 2 Zoll) zum Tankboden haben. Wir empfehlen, dass Saugrohr in einem Winkel von 30 – 45 Grad zu schneiden, um den Durchfluss zu verbessern.

Der mobile Tank muss mit einem Verschluss mit Entlüftung versehen sein. (Abb. 2)



**Einbauverfahren**

**Schritt 1:** (Optional) Entfernen des Einlassflansches

Die (4) 1/4-Zoll-Schrauben mit einem 7/16-Zoll-Gabel- oder Steckschlüssel lockern. Den Einlassspund von der Pumpe lösen, die Schrauben, das Sieb und die Dichtung aufbewahren.

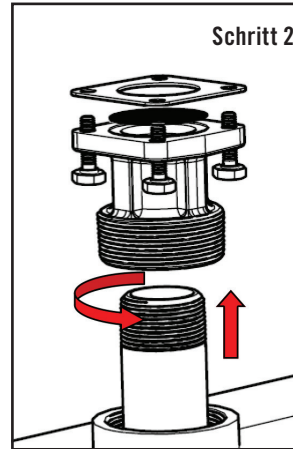
**Schritt 2:** Entweder das mitgelieferte Saugrohr oder ein anwendungsspezifisches Saugrohr in das Einlassspundloch schrauben. Mit einer Rohrzange um 1,5 bis 2,5 Umdrehungen über „handfest“ hinaus festziehen. Ein für den Kraftstofftransfer geeignetes Dichtungsmittel verwenden.

**Schritt 3:** Den Einlassspund mit dem montierten Saugrohr auf den Tank schrauben. Um 1,5 bis 2,5 Umdrehungen über „handfest“ hinaus festziehen. Ein für den Kraftstofftransfer geeignetes Dichtungsmittel verwenden.

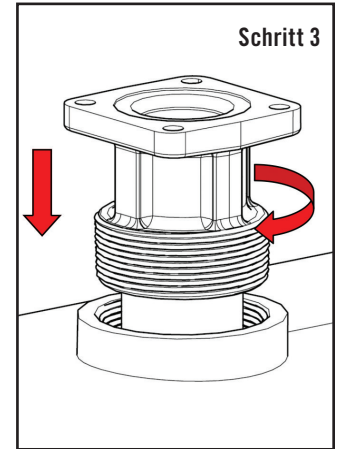
**Schritt 4:** (Nur wenn Schritt 1 ausgeführt wurde) Das Sieb in die Siebtasche des Einlassspunds setzen und anschließend die Pumpe auf den Tankflansch setzen. Die Löcher fluchten, (4) 1/4-Zoll-Schrauben einsetzen und diese mit dem 7/16-Zoll-Schlüssel mit mindestens 4,5 Nm (40 in-lbs) festziehen.

**Schritt 5:** Den Verteilerdosendeckel abnehmen, indem die (2) T-25 Schrauben entfernt werden. Die Kabel ausfindig machen. Gleichspannung: 2 Kabel, schwarz und rot; Wechselspannung: 3 Kabel, schwarz, weiß und grün (an der inneren Masseschraube befestigt). Sicherstellen, dass die Dichtung beim erneuten Befestigen der Verteilerdose nicht verrückt wird.

**Schritt 6:** Die Kabel von der Stromversorgung durch die Öffnung mit NPT-Gewinde in die Verteilerdose einziehen. Bei Gleichspannungsmodellen den schwarzen Kabelanschluss\* verwenden. Bei Wechselspannungsmodellen das Kabelrohr direkt an der Öffnung mit NPT<sup>†</sup>-Gewinde befestigen.



Schritt 2



Schritt 3

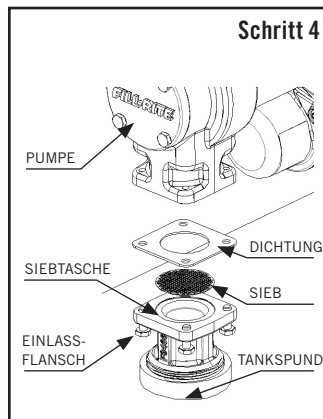
\* Die schwarze Kabeldurchführung ist nur im Lieferumfang von Gleichspannungsmodellen enthalten

† 1/2 Zoll NPT zu Kabeldurchführung, Bronzearmatur nach ATEX bei HE-Modellen

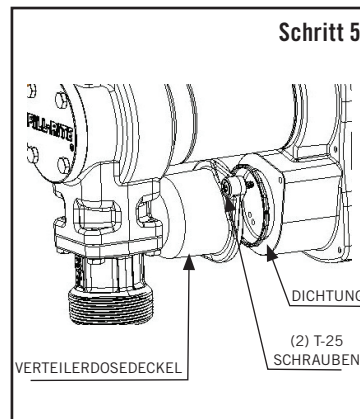
**Schritt 7:** Die Zapfventilhalterung ist mit (1) 5/16-Zoll-Schraube (mit 4,5 Nm [40 in-lbs] festgezogen) an der Schalterplatte befestigt. Die Zapfventilhalterung kann in zwei Positionen ausgerichtet werden.

**HINWEIS**

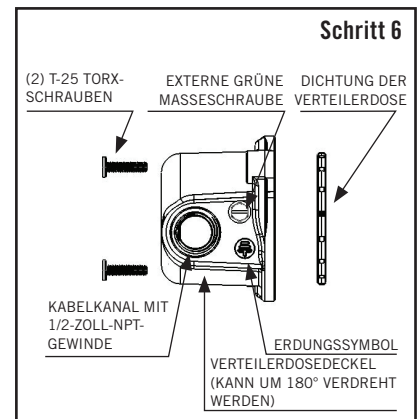
Mindestens 25 – 51 mm (1 – 2 Zoll) Abstand zwischen Rohrende und Tankunterseite lassen.



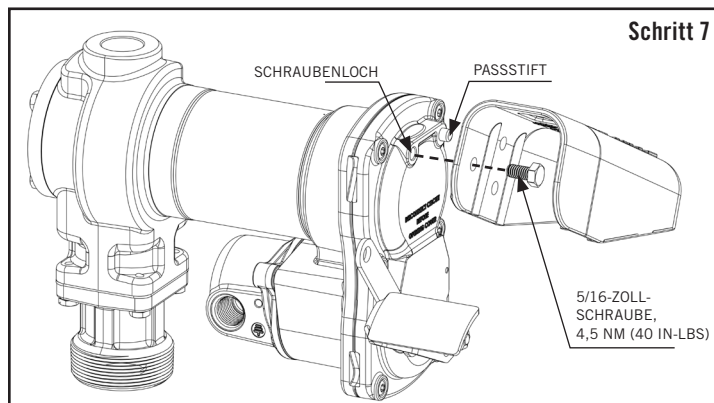
Schritt 4



Schritt 5



Schritt 6



Schritt 7



**12-VDC- und 24-VDC-Verkabelungsanweisungen**

**DC-Transferpumpen der Serien FR1200 / FR2400 / FR4200 / FR4400 / SD1200**

**GEFAHR**

Die Verkabelung darf NUR von einem lizenzierten Elektriker durchgeführt werden und muss dem vorgesehenen Verwendungszweck der Pumpe, den geltenden örtlichen und landesweiten Vorschriften, dem technischen Regelwerk sowie NEC/ANSI/NFPA 30, NFPA 30A und NFPA 70 entsprechen. Verschraubte Kabelrohre, abgedichtete Anschlüsse und Leiterdichtungen müssen verwendet werden, wo dies erforderlich ist. Die Pumpe muss vorschriftsmäßig geerdet sein. Unsachgemäßer Einbau oder Einsatz dieser Pumpe kann zu schweren oder tödlichen Verletzungen führen.

Nicht den Plus- oder Minuspol an die grüne Masseschraube oder den Massedraht anschließen, da dies einen Brand verursachen kann.

Nicht versuchen, die Pumpe über ein Kabel mit einer Kabelstärke unter AWG12 mit dem Fahrzeug zu verbinden, beispielsweise über das Zigarettenanzünderkabel, da diese dünnen Kabel überhitzen und einen Brand auslösen können.

Für die Verkabelung mit Zusatzversorgungsschaltern von Fahrzeugen wenden Sie sich bitte unter 1 (800) 720-5192 (Mo-Fr, 8-17 Uhr EST/EDT) an den Fill-Rite-Kundendienst.

**VORSICHT**

Fill-Rite Gleichspannung-Kraftstoffpumpen müssen mit der am Typenschild angegebenen Nennspannung betrieben werden. Serien FR1200, FR4200 und SD1200 haben eine Nennspannung von 12 VDC, Serien FR2400 und FR4400 haben eine Nennspannung von 24 VDC. Unabhängig von der Herstellung der Stromversorgung (beispielsweise Batterie oder Festverdrahtung) schreibt Fill-Rite eine Sicherung in der Versorgungsleitung vor, die Schutz vor Kurzschlüssen bietet. Für 12 VDC ist eine 30-A-Sicherung erforderlich, für 24 VDC eine 20-A-Sicherung.

Der Spannungsabfall in der Verkabelung hängt vom Abstand zwischen Batterie und Pumpe und dem Drahtdurchmesser ab. Falls die Entfernung größer als das mitgelieferte 5,5 m lange AWG12-Netzkabel ist, auf nationale, internationale oder örtliche Vorschriften Bezug nehmen, um den korrekten Drahtdurchmesser für diese Anwendung zu ermitteln.

Die folgende Tabelle enthält Richtlinien und ist kein Ersatz für behördliche Vorschriften:

Maximale Entfernung (m) Kupferlitzen Draht nach Drahtdurchmesser (AWG)				
10	8	6	4	2
8,2 m	13,4 m	21 m	33,5 m	53,3 m

*\*12 AWG-Netzkabel ist nicht im Lieferumfang von reinen Pumpenmodellen enthalten*

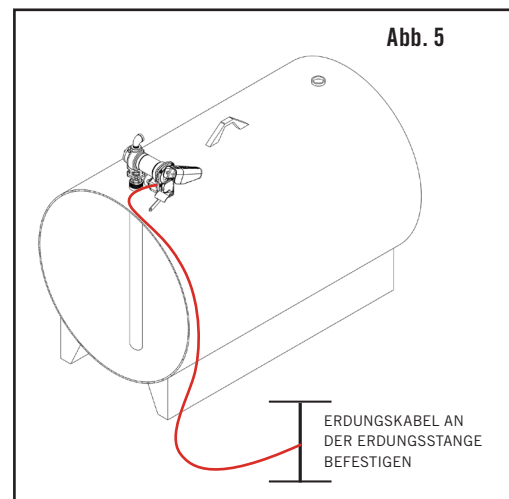
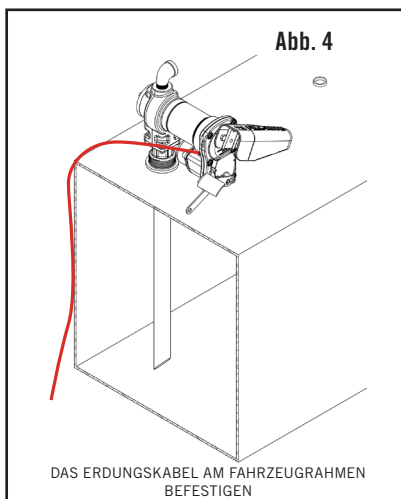
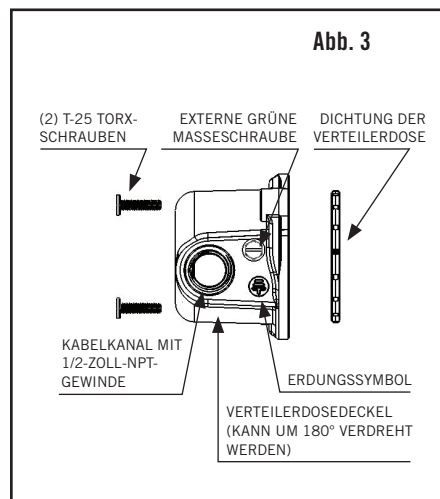
**HINWEIS**

Elektrische Kontaktierung ist das Verbinden metallischer Teile, wie beispielsweise eines Kraftstofftanks oder einer Transferpumpe, die elektrischen Störungen ausgesetzt sein kann, mit einem Masseleiter, um einen niedrigohmigen Weg zur Masse/Erdung zu bilden. Die Kontaktierung ist auch eine Methode zum Ableiten von statischer Elektrizität und induzierten Spannungen über den Masseleiter. Üblicherweise wird für die Kontaktierung ein Kupferdraht verwendet.

Wenn eine 12-V oder 24-VDC-Kraftstofftransferpumpe mit einer Stromversorgung betrieben werden soll, die keine Fahrzeugbatterie ist, wenden Sie sich bitte unter 1 (800) 720-5192 (Mo-Fr, 8-17 Uhr EST/EDT) an den Fill-Rite-Kundendienst.

## Aufgaben vor der Verkabelung mit Gleichspannung

Die Pumpe muss bei einem mobilen Tank mit dem Fahrzeugrahmen oder bei stationären Tanks mit einer Erdungsstange elektrisch verbunden sein. Um die Pumpe bei einer mobilen Anwendung elektrisch zu verbinden, die im Werk angebrachte, grüne Verbindungsschraube außen auf dem Verteilerdosendeckel entfernen (Abb. 3). Diese Schraube durch die Kabelöse des mitgelieferten grünen Verbindungskabels einsetzen und danach wieder sicher an der Verteilerdose befestigen. Für mobile Tank muss das andere Ende des Kabels abisoliert und der blanke Draht am Fahrzeug-/Anhängerrahmen elektrisch leitend befestigt werden (Abb. 4). Die Erdungsverbinding an einem stationären Tank muss zwischen einer Erdungsstange und dem Tank selbst hergestellt werden (Abb. 5). Die Entfernung kann größer sein als die Länge des mitgelieferten Erdungskabels.



## Gleichspannungsverkabelung

1. Den Deckel der Pumpen-Verteilerdose entfernen und das rote und schwarze Kabel gerade richten.
2. Den mitgelieferten Kabelstecker in die 1/2-Zoll-NPT-Kabelkanalöffnung in der Verteilerdose schrauben.
3. 76 mm (3 Zoll) des äußeren Mantels von einem Ende des mitgelieferten Stromkabels\* abisolieren und dabei darauf achten, dass die Isolierung des schwarzen und roten Kabels nicht beschädigt wird.
4. Die Mutter des Kabelsteckers lockern und das abisolierte Ende des mitgelieferten Kabels durch den Kabelstecker schieben. Die Mutter des Kabelsteckers festziehen.
5. 13 mm (1/2 Zoll) Isolierung von den Enden des roten und schwarzen Kabels abisolieren. Diese Drähte mit den mitgelieferten Muttern an die Pumpendrähte mit den jeweils gleichen Farben anschließen.  
**WICHTIG:** Sicherstellen, dass keine blanken Drähte freiliegen.
6. Die Kabel in die Verteilerdose schichten und den Deckel anbringen. Sicherstellen, dass die Dichtung korrekt sitzt. Sicherstellen, dass alle Schrauben sitzen, damit kein Spalt zwischen Deckel und Verteilerdose vorhanden ist (siehe Abbildung von Schritt 6 auf **Seite 6**).

\*Das 12 AWG-Kabel ist nicht im Lieferumfang von reinen Pumpenmodellen enthalten

## Verkabelung eines mobilen Tanks mit der elektrischen Anlage eines Fahrzeugs

1. Vor dem elektrischen Anschluss den Schalthebel auf AUS stellen, um versehentliche Kraftstoffabgabe beim Herstellen der Stromversorgung mit dem Motor zu vermeiden.
2. Die Stromkabel zum Versorgungsanschluss der elektrischen Anlage des Fahrzeugs verlegen. Die Kabel nach Bedarf abstützen und vor scharfen Kanten, Hitze und allem schützen, was die Kabel beschädigen könnte.
3. Zur Bestimmung, ob die elektrische Anlage des Fahrzeugs eine negative (-) oder positive (+) Masse hat, die Batteriebezeichnung an dem Kontakt prüfen, der mit dem Fahrzeugrahmen oder Motorblock verdrahtet ist. Das rote Kabel von der Pumpe wird an den Batteriepluspol und das schwarze Kabel von Pumpe an den Batterieminuspol angeschlossen. Diese Anweisungen gelten für ein System mit ÜBLICHER negativer Masse. Systeme mit UNÜBLICHER positiver Masse sind sehr selten. Die Zeichnung auf **Seite 9** enthält Informationen über Systeme mit positiver Masse.
4. Fill-Rite schreibt den Einbau eines Sicherungshalters und einer Sicherung (nicht im Lieferumfang enthalten) vor, um die gekaufte Pumpe zu schützen. Ein Ende des Sicherungshalters an das Ende des nicht geerdeten Kabels anschließen; eine leitende elektrische Verbindung herstellen. Das andere Ende des Sicherungshalters an die nicht geerdete Seite der Batterie und so nahe wie möglich an der Batterie anschließen. Eine gut leitende elektrische Verbindung zwischen der geerdeten Seite der Batterie und dem anderen Kabel herstellen. Zum Herstellen des elektrischen Stromkreises ist eine Batterieanschlussklemme (nicht von Fill-Rite geliefert) erforderlich.
5. Alle Anschlüsse prüfen, um sicherzustellen, dass diese gemäß den Anweisungen und allen elektrischen Vorschriften hergestellt wurden. Eine Sicherung (für 12 VDC eine 30-A-Sicherung, für 24 VDC eine 20-A-Sicherung) in den Sicherungshalter einsetzen. Der Einbau ist nun abgeschlossen.

## Verkabelung eines mobilen Tanks mit einer fahrzeugfremden elektrischen Anlage

Obwohl dies selten ist, gibt es Fälle, in denen eine 12 VDC oder 24 VDC Fill-Rite-Kraftstoffpumpe nicht von der elektrischen Anlage eines Fahrzeugs versorgt wird. In diesen Fällen sollten Sie sich unter 1 (800) 720-5192 (Mo-Fr, 8-17 Uhr EST/EDT) an den Fill-Rite-Kundendienst wenden, um Ihren Anwendungsfall zu besprechen. Für die meisten dieser Anwendungen ist Ausrüstung erforderlich, die nicht von Fill-Rite geliefert wird. Außerdem möchten wir sicherstellen, dass der Stromkreis für die Leistungsanforderungen der Pumpe ausreichend bemessen ist.

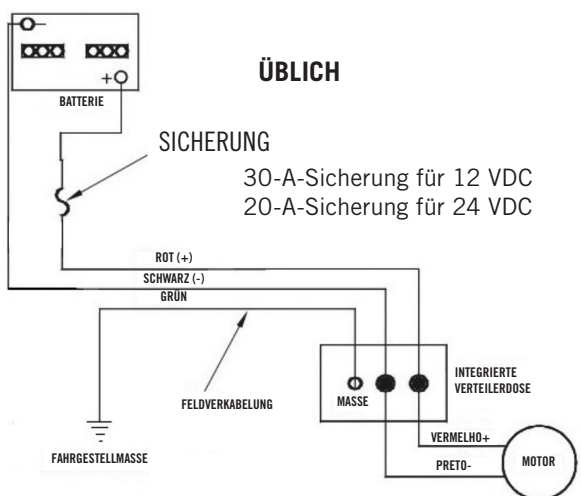
## Verkabelung eines stationären Tanks

1. Vor dem elektrischen Anschluss den Schalthebel auf AUS stellen, um versehentliche Kraftstoffabgabe beim Herstellen der Stromversorgung mit dem Motor zu vermeiden.
2. Fill-Rite schreibt den Einbau eines Sicherungshalters und einer Sicherung (nicht im Lieferumfang enthalten) vor, um die gekaufte Pumpe zu schützen.
3. Ein Ende des Sicherungshalters am roten Pumpenkabel so nahe wie möglich an der Batterie oder Stromquelle anschließen. Eine gut leitende elektrische Verbindung zwischen dem positiven Kontakt der Stromquelle und dem anderen Ende des Sicherungshalters herstellen. Eine gut leitende elektrische Verbindung zwischen dem schwarzen Pumpenkabel und dem negativen Kontakt der Stromquelle herstellen.
4. Alle Anschlüsse prüfen, um sicherzustellen, dass diese gemäß den Anweisungen und allen elektrischen Vorschriften hergestellt wurden.
5. Eine Sicherung (für 12 VDC eine 30-A-Sicherung, für 24 VDC eine 20-A-Sicherung) in den Sicherungshalter einsetzen.
6. Der Einbau ist nun abgeschlossen.

### System mit negativer Masse (üblich)

Diese elektrische Anlage ist bei den meisten Fahrzeugen mit einer 12-VDC-Stromquelle üblich. In diesem Fall liefert der Batterie-Pluspol den Strom zu allen Verbrauchern, wie beispielsweise die Zündung. Der Minuspol (-) ist mit dem Fahrzeugrahmen verbunden.

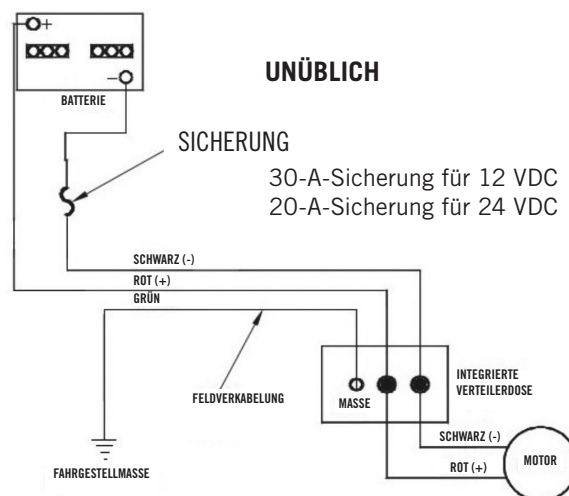
Die Sicherung muss sich außerhalb der Gefahrenzone und so nahe wie möglich bei der Stromquelle befinden. Falls die Verkabelung von der Stromquelle zu der Pumpe länger als 5,5 m ist, auf nationale, internationale oder örtliche Vorschriften Bezug nehmen, um den korrekten Drahtdurchmesser für diese Anwendung zu ermitteln.



### System mit positiver Erdung (unüblich)

Diese elektrische Anlage ist bei den meisten Fahrzeugen mit einer 12-VDC-Stromquelle unüblich. Der Batterie-Pluspol (+) ist mit dem Fahrzeugrahmen verbunden.

Die Sicherung muss sich außerhalb der Gefahrenzone und so nahe wie möglich bei der Stromquelle befinden. Falls die Verkabelung von der Stromquelle zu der Pumpe länger als 5,5 m ist, auf nationale, internationale oder örtliche Vorschriften Bezug nehmen, um den korrekten Drahtdurchmesser für diese Anwendung zu ermitteln.



**115-VAC-Verkabelungsanweisungen für Wechsellspannung-Kraftstofftransferpumpen FR600 / SD600**

**⚠ GEFAHR**

- Alle Pumpen müssen mit der am Typenschild angegebenen Nennspannung betrieben werden.
- Die Wechsellspannung muss über einen eigenen Stromkreis mit einer 15-A-Sicherung zur Pumpe geführt werden. Dieser Stromkreis darf keine anderen Ausrüstungen versorgen.
- Die Verkabelung muss ausreichend bemessen sein, um die richtige Stromstärke für die Pumpe zu liefern.
- Der Spannungsabfall hängt vom Abstand zur Pumpe und der Kabelgröße ab. Auf nationale, internationale und örtliche Vorschriften oder die US-Norm NEC Bezug nehmen, um den Ausgleich des Spannungsabfalls zu ermitteln und sicherzustellen, dass der korrekte Drahtdurchmesser für diese Anwendung verwendet wird. Zu klein bemessene Drähte können überhitzen und einen Brand verursachen.
- Einen guten Masseanschluss sicherstellen, um Stromschläge zu vermeiden.
- Jeder Fill-Rite-Motor ist als explosionsgeschützt für den Einsatz im Ex-Bereich nach Klasse I / Division 1 bezeichnet. Es ist dringend anzuraten, Reparaturen von einem Vertragshändler durchführen zu lassen, damit die Garantie nicht ungültig wird. Es ist sehr wichtig, dass der Explosionsschutz des Motors und der Systemkomponenten aufrecht erhalten bleibt.
- Die Verkabelung darf NUR von einem lizenzierten Elektriker durchgeführt werden und muss dem vorgesehenen Verwendungszweck der Pumpe, den geltenden örtlichen und landesweiten Vorschriften, dem technischen Regelwerk sowie NEC/ANSI/NFPA 70, NFPA 30 und NFPA 30A entsprechen. Die Pumpe muss vorschriftsmäßig geerdet sein. Unsachgemäßer Einbau oder Einsatz dieser Pumpe kann zu schweren oder tödlichen Verletzungen führen.

**⚠ WARNUNG**

- Das Massekabel in der Versorgungsleitung MUSS an die Masseschraube im Inneren der Verteilerdose angeschlossen werden.

**⚠ VORSICHT**

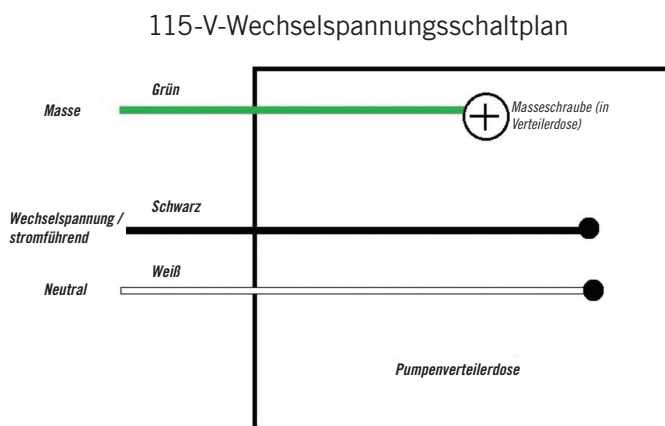
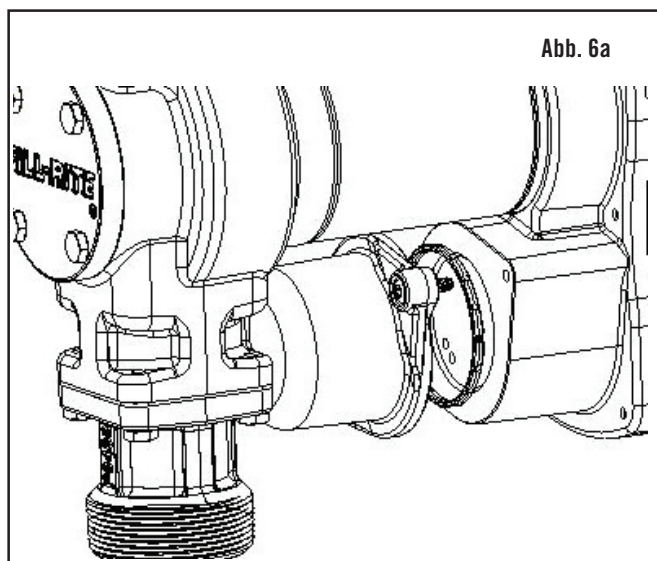
Der Spannungsabfall in der Verkabelung hängt vom Abstand zwischen Stromquelle und Pumpe sowie dem Drahtdurchmesser ab. Fill-Rite empfiehlt, auf nationale, internationale oder örtliche Vorschriften Bezug nehmen, um den korrekten Drahtdurchmesser für Ihre Anwendung zu ermitteln. Die folgende Tabelle enthält Richtlinien und ist kein Ersatz für behördliche Vorschriften:

Maximale Entfernung (m) Massivkupferdraht und Kupferlitzendraht nach Drahtdurchmesser (AWG)								
	AWG	16	14	12	10	8	6	4
Draht	Massivdraht	11,9	18,9	30,2	48,2	76,2		
	Litzendraht	11,6	18,6	29,3	46,9	74,7	118,6	189

**Verfahren für 115-V-Wechselspannungsverkabelung**

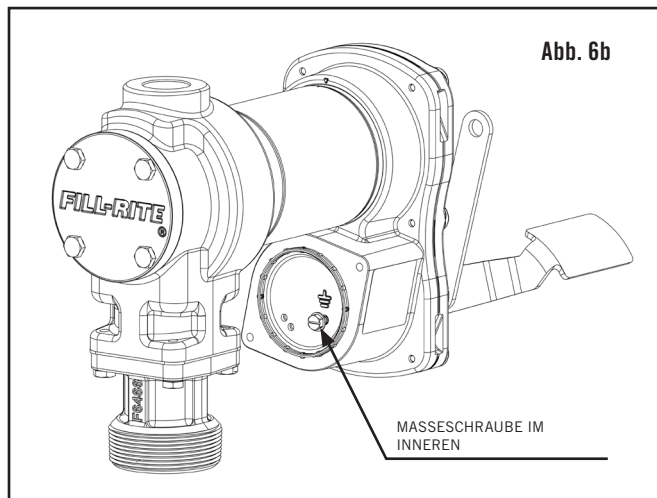
1. Den Deckel der Verteilerdose entfernen und die Drähte gerade richten, damit die abisolierten Drahtenden außerhalb der Verteilerdose zugänglich sind.
2. Starre Kabelkanäle und eine geeignete Verkabelung von der Stromquelle zur Verteilerdose verlegen, damit die Explosionssicherheit erhalten bleibt.
3. Die Pumpenkabel gemäß Schaltplan an die Versorgungsleitungen anschließen. Darauf achten, dass die Anschlüsse mit geeigneten Kabelmuttern und anderen Steckverbindern vorschriftsmäßig isoliert werden. Hinweis: Das Massekabel MUSS angeschlossen werden. Der Massekabelanschluss befindet sich im Inneren der Verteilerdose (Abb. 6b).
4. Die Kabel in die Verteilerdose schichten und den Deckel anbringen. Sicherstellen, dass die Deckeldichtung korrekt sitzt.

**115-VAC-Pumpenverteilerdose (Wechselspannung-Kraftstofftransferpumpen der Serie FR/SD600)**



115-VAC-Schaltplan für Wechselspannung-Kraftstofftransferpumpen FR/SD600.

Ein Massedraht muss mit dem Stromversorgungskabel vorgesehen werden. Dieses Massekabel muss an die Masseschraube im Inneren der Verteilerdose angeschlossen werden.

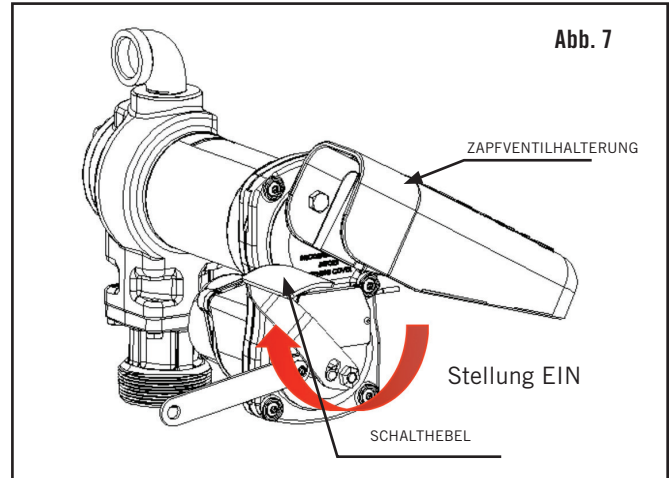


**Betriebsanweisungen**



Das Zapfventil beim Füllen stets in Kontakt mit dem Behälter halten, der gefüllt wird, um die Möglichkeit statischer Aufladung zu minimieren. Funken bei Gegenwart von entzündlichen Dämpfen lösen eine Explosion aus, die schwere oder tödliche Verletzungen verursachen wird.

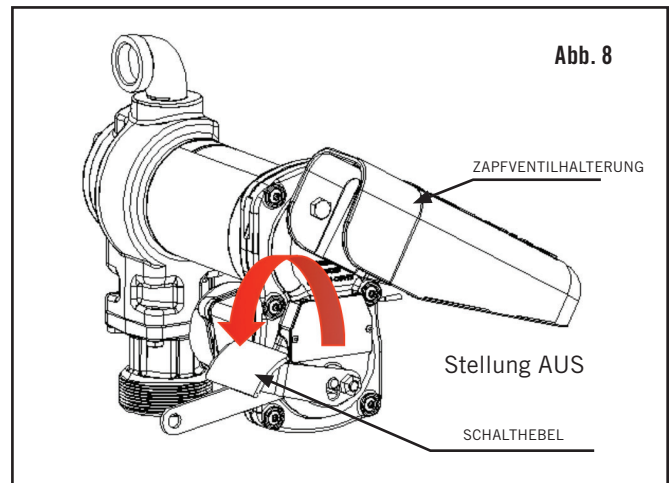
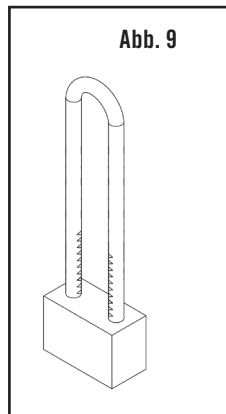
1. Falls vorhanden, den Zähler auf „0“ zurücksetzen (nicht während des Betriebs zurücksetzen, da dies den Zähler beschädigen wird).
2. Das Zapfventil aus der Halterung nehmen.
3. Den Schalthebel auf EIN stellen, um die Pumpe einzuschalten (Abb. 7).
4. Das Zapfventil in den Behälter stecken, der gefüllt werden soll.
5. Das Zapfventil betätigen, um Flüssigkeit zu pumpen; das Zapfventil loslassen, nachdem die gewünschte Flüssigkeitsmenge abgegeben wurde.
6. Den Schalthebel auf AUS (Abb. 8) stellen, um die Pumpe auszuschalten.
7. Das Zapfventil aus dem gefüllten Behälter nehmen und in der Halterung unterbringen.



**Sicherheit**

Ihre Fill-Rite-Kraftstofftransferpumpe ist neben dem Schalthebel mit einem Schlossriegel ausgestattet, mit dem die Pumpe abgesperrt werden kann. Wenn die Pumpe ausgeschaltet und das Zapfventil in der Halterung ist, kann ein Vorhängeschloss durch den Schlossriegel und Zapfventil-Auslösehebel eingesetzt werden.

Fill-Rite empfiehlt ein handelsübliches laminiertes Stahlvorhängeschloss mit einem längenverstellbaren Bügel (Abb. 9).



**Störungsbeseitigung**

Die folgende Anleitung zur Fehlersuche enthält grundlegende Diagnoseinformationen, mit denen eine ungewöhnliche Funktionsweise der Fill-Rite-Kraftstofftransferpumpe untersucht werden kann. Richten Sie bitte alle Fragen unter 11 (800) 720-5192 (Mo-Fr, 8-17 Uhr EST/EDT) oder per E-Mail unter [FillRiteTech@fillrite.com](mailto:FillRiteTech@fillrite.com) an den Fill-Rite-Kundendienst.



Trennen Sie die gesamte Stromversorgung von der Wechsel- oder Gleichspannungspumpe, bevor Service- oder Wartungsarbeiten durchgeführt werden. Entlasten Sie außerdem allen Druck im Saugrohr und Pumpenschlauch. Andernfalls können Maschinenschäden und schwere oder tödliche Verletzungen die Folge sein.

**Störungsbeseitigung (Forts.)**

Symptom	Ursache	Abhilfe
Pumpe lässt sich nicht vorfüllen	Problem in Saugleitung	Auf Lecks oder Blockaden in Saugleitung prüfen.
	Bypassventil ist offen	Ventil ausbauen und prüfen; es muss frei beweglich und rückstandsfrei sein.
	Schieber klemmen	Schieber und Rotorkanäle auf Kerben, Grate und Verschleiß prüfen.
	Übermäßiger Rotor- oder Schieberverschleiß	Rotor und Schieber auf starken Verschleiß oder Schäden prüfen; gegebenenfalls austauschen.
	Automatikzapfventil	Zum Vorfüllen entfernen.
	Systemblockierungen	Filter und Bypassventil auf Rückstände prüfen; Zapfventil ausbauen und Strömung mit EINGESCHALTETER Pumpe testen.
Mangelhafte Förderleistung	Zu viel Schmutz im Sieb	Sieb ausbauen und reinigen.
	Problem in Saugleitung	Auf Lecks oder Blockaden in Saugleitung prüfen.
	Bypassventil klemmt	Ventil ausbauen und prüfen; es muss frei beweglich und rückstandsfrei sein.
	Blockierung in Auslass	Pumpenauslass, Schlauch, Zapfventil und Filter auf Blockierung prüfen.
	Schieber klemmen	Schieber und Rotorkanäle auf Verschleiß prüfen; gegebenenfalls austauschen.
	Übermäßiger Rotor- oder Schieberverschleiß	Rotor und Schieber auf starken Verschleiß oder Schäden prüfen; gegebenenfalls austauschen.
	Schlauch oder Zapfventil ist beschädigt	Schlauch oder Zapfventil austauschen (Fill-Rite empfiehlt Schläuche und Zapfventile mit UL-Rating).
	Filter verstopft	Filter austauschen.
	Niedriger Flüssigkeitsstand	Tank füllen.
Pumpe läuft langsam	Falsche Spannung	Versorgungsspannung prüfen.
	Schieber klemmen	Schieber und Rotorkanäle auf Kerben, Grate und Verschleiß prüfen.
	Verkabelungsproblem	Auf lose Anschlussstellen prüfen.
	Motorproblem	Fill-Rite-Kundendienst unter 1 (800) 720-5192 (Mo-Fr, 8-17 Uhr EST/EDT) verständigen.
Motor stirbt ab/Sicherung brennt durch oder thermischer Überlastschutz wird wiederholt ausgelöst	Bypassventil klemmt	Ventil ausbauen und prüfen; es muss frei beweglich und rückstandsfrei sein.
	Niedrige Spannung	Versorgungsspannung prüfen.
	Übermäßiger Rotor- oder Schieberverschleiß	Rotor und Schieber auf starken Verschleiß oder Schäden prüfen.
	Rückstände in Pumpenkammer	Rückstände aus Pumpenkammer reinigen.
Motor überhitzt	Pumpen von hochviskosen Flüssigkeiten	Diese Flüssigkeiten dürfen nur kurz (weniger als 30 Minuten Einschaltdauer) gepumpt werden.
	Verstopftes Sieb	Einlass ausbauen und Sieb reinigen.
	Verstopfte Saugleitung	Rohr ausbauen und reinigen.
	Motorausfall	Fill-Rite-Kundendienst unter 1 (800) 720-5192 (Mo-Fr, 8-17 Uhr EST/EDT) verständigen.
	Pumpenrotor blockiert	Pumpenrotor und Schieber reinigen und prüfen.
Motor ist funktionsunfähig	Keine Stromversorgung	Stromversorgung prüfen.
	Verkabelungsproblem	Probleme in der Stromversorgung mit einem Multimeter isolieren.
	Motorausfall	Fill-Rite-Kundendienst unter 1 (800) 720-5192 (Mo-Fr, 8-17 Uhr EST/EDT) verständigen.
	Blockierter Rotor	Pumpenrotor reinigen und prüfen; nach Bedarf mit Satz KIT120RG reparieren.
	Falsche/lockere Verkabelung	Den richtigen Kabeldurchmesser gemäß örtlichen und landesweiten Vorschriften sowie technischem Regelwerk überprüfen.
Flüssigkeitsleckage	Mangelhafte O-Ring-Dichtung	Prüfen und alle O-Ring-Dichtungen austauschen (Rotorabdeckung / Einlassflansch / Bypasskappe).
	Verschmutzter/defekter Wellendichtring	Wellendichtring durch KIT120SL austauschen.
	Unverträgliche Flüssigkeit	Liste der benetzten Werkstoffe auf <b>Seite 14</b> dem Flüssigkeitshersteller vorlegen.
	Lockere Befestigungsteile	Befestigungsteile festziehen.
Pumpe summt, lässt sich aber nicht betreiben	Motorausfall	Fill-Rite-Kundendienst unter 1 (800) 720-5192 (Mo-Fr, 8-17 Uhr EST/EDT) verständigen.
	Gebrochene Rotor-Passfeder	Alle Rückstände entfernen und Passfeder austauschen.

## Technische Daten und Modelle

Eine Serie von Kraftstofftransferpumpen mit UL/cUL-Zulassungen, die für Benzin, Dieseldieselkraftstoff, gemischte Kraftstoffe wie Biodiesel bis zu 20 %, Benzin mit bis zu 15 % Ethanol, Mineralölen und Kerosin geeignet ist.

Teile des Produkts	Produktwerkstoffe
Pumpengehäuse	Gusseisen
Rotor	Sinterstahl
Schieber	Sinterbronze
Siebgritter	Rostfreier Stahl
Benetzte Komponenten	Buna-N, Fluorkohlenstoff, Keramik, Kork, Thermoset, Stahl, Rostfreier Stahl

Beschreibung		FR1200	FR4200	SD1200	FR4400	FR2400	FR600	SD600	
Motor	Spannungsversorgung (V) (DC/AC)	12 VDC			24 VDC		115 VAC / 60 HZ		
	Leistung (PS)	0,25						0,166	
	A (Volllast)	26	28	26	18	15	2,5		
	A (Nennwert)	20	19	20	13	10	2,0		
	Drehzahl (U/min)	2600						2000	
	Netzkabel*	Länge	5,5 m (18 Fuß)		4,6 m (15 Fuß)	5,5 m (18 Fuß)		Nicht im Lieferumfang enthalten	
		AWG	12						
	Arbeitszyklus		30 Minuten ein, dann 30 Minuten aus						
	Thermischer Überlastschalter (Motor)		Ja						
	Erforderliche Stromkreissicherung		30 A			20 A		15 A	

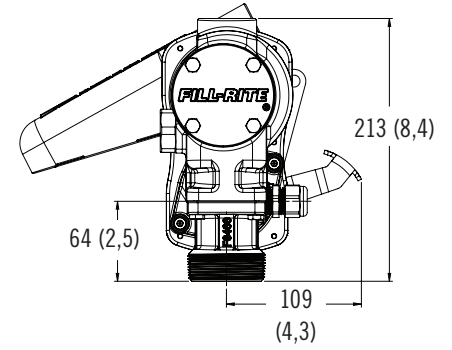
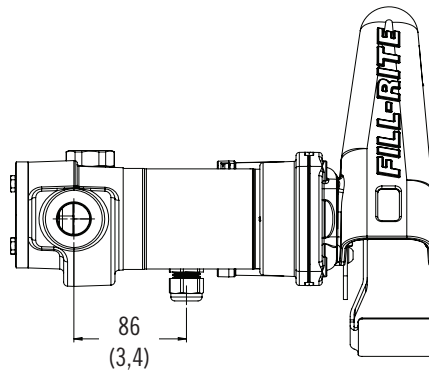
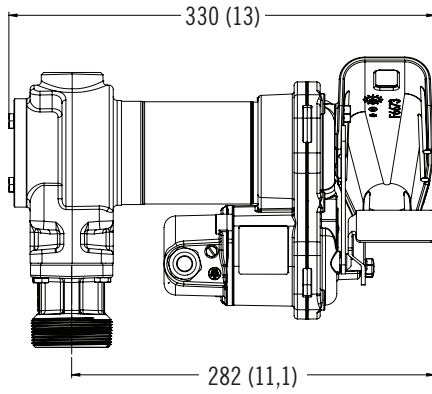
\*Bei reinen Pumpenmodellen ist das Netzkabel nicht im Lieferumfang enthalten.

Beschreibung		FR1200	FR4200	SD1200	FR4400	FR2400	FR600	SD600
Pumpe	Max. Förderleistung (l/min)	56,8	75,7	49,2	75,7	56,8		49,2
	Bypassdruck		110 kPa (16 PSI)					
	Min. Trockensaughöhe		127 mm Hg (5 Zoll Hg)					
	Auf Seehöhe 21,1 °C (70 °F)	Saughöhe	Max. 2,4 m (8 Fuß)					
		Förderdruckhöhe	Max. 11,3 m (37 Fuß)					
	Einlass		1 Zoll NPT					
	Auslass		3/4 Zoll NPT	1 Zoll NPT	3/4 Zoll NPT	1 Zoll NPT	3/4 Zoll NPT	
	Einbau		2-Zoll-NPT-Einlassspund					
	Garantie		Eingeschränkte Garantie auf Lebenszeit <sup>†</sup>		1 Jahr	Eingeschränkte Garantie auf Lebenszeit <sup>†</sup>		1 Jahr

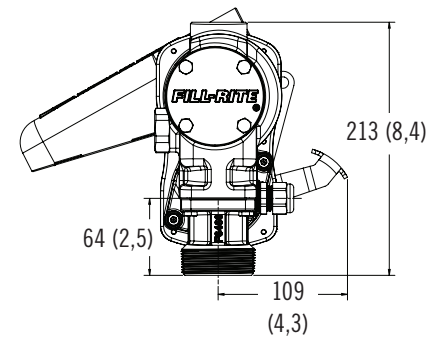
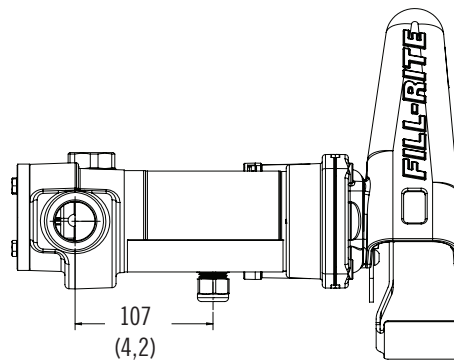
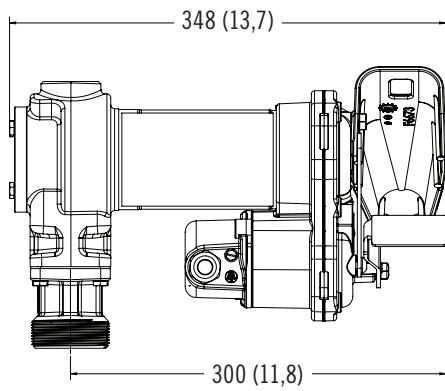
<sup>†</sup> Genaue Einzelheiten zur Garantie sind auf [fillrite.com](http://fillrite.com) zu finden.



**FR1200, FR2400, FR4400, FR600, SD1200 und SD600** (Abmessungen in mm [Zoll])



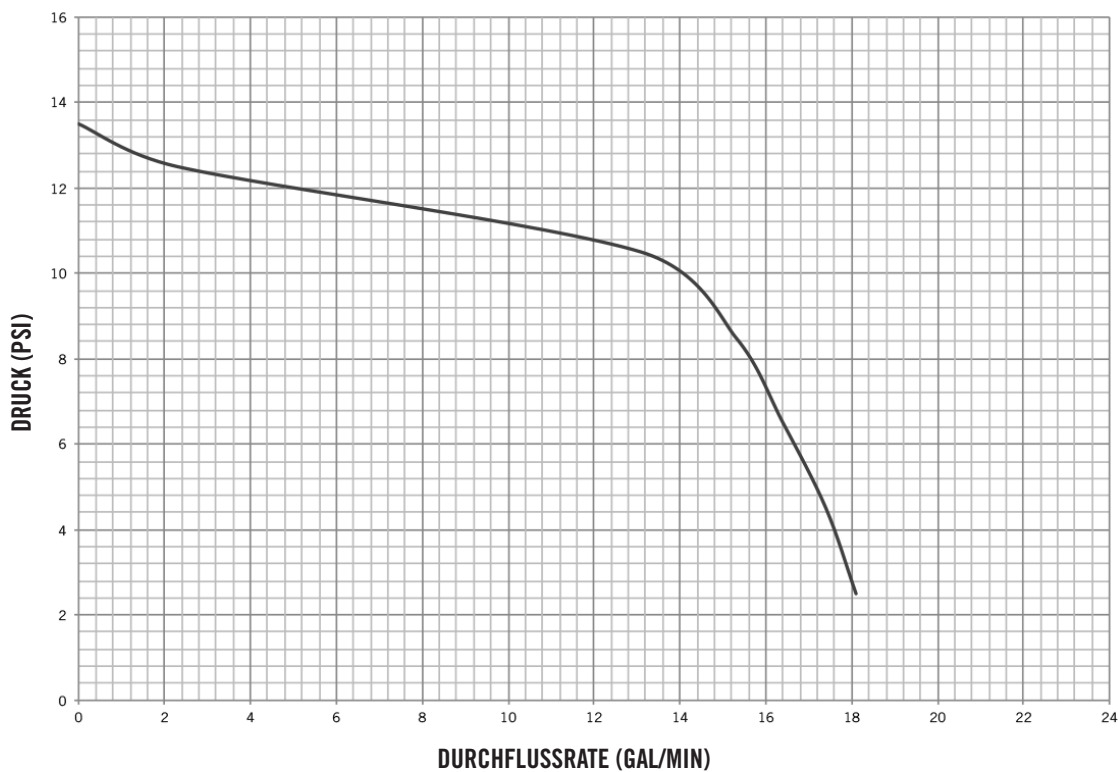
**FR4200** (Abmessungen in mm [Zoll])



**Informationen für Modelle der H-Serie: FR1200, FR2400, FR4200, FR4400, FR600, SD1200, SD600**

Modellnummer	Zapfventil	Schlauch	Zähler	Einlassrohr	Netzkabel	Sonderausf.	Spannung	Auslass	
FR1204H	Nur Pumpe						12 VDC	19,1 mm (3/4 Zoll)	
FR1210H	Manuell	3,7 m		Metall, ausziehbar 508 mm – 876 mm (20 – 34-1/2 Zoll)	12 AWG bei 5,5 m (18 Fuß)				
FR1210HA	Kfz-Benzin	3,7 m							
FR1210HA1	Kfz-Diesel	3,7 m							
FR1210HARC	Kfz Arktisch	4,6 m				Gelenk			
FR1210HN									
FR1211H	Manuell	3,7 m	807C						
FR1211HL	Manuell	3,7 m	807CL						
FR1211HLN			807CL						
FR1211HN			807C						
FR1219H	Manuell	3,7 m	TT10AN						
FR2404H	Nur Pumpe						24 VDC		
FR2410H	Manuell	3,7 m		Metall, ausziehbar 508 mm – 876 mm (20 – 34-1/2 Zoll)	12 AWG bei 5,5 m (18 Fuß)				
FR2411H	Manuell	3,7 m	807C						
FR2411HL	Manuell	3,7 m	807CL						
FR4204H	Nur Pumpe						12 VDC	25,4 mm (1 Zoll)	
FR4210H	Manuell	3,7 m		Metall, ausziehbar 508 mm – 876 mm (20 – 34-1/2 Zoll)	12 AWG bei 5,5 m (18 Fuß)	Gelenk			
FR4210HARC	Kfz Arktisch	6,1 m							
FR4210HB	Extrem hoher Durchfluss	3,7 m							
FR4210HD	Kfz-Diesel	3,7 m							
FR4210HDS	Kfz-Diesel	3,7 m				Gelenk			
FR4210HBFQ	Extrem hoher Durchfluss	5,5 m				10 AWG bei 7,6 m mit Schellen			Filter
FR4210HN									
FR4211H	Manuell	3,7 m	901C						
FR4211HL	Manuell	3,7 m	901CL			12 AWG bei 5,5 m (18 Fuß)			
FR4211HLN			901CL						
FR4211HN			901C						
FR4219H	Manuell	3,7 m	TT10AN						
FR4406H	Nur Pumpe								24 VDC
FR4410H	Manuell	3,7 m			Metall, ausziehbar 508 mm – 876 mm (20 – 34-1/2 Zoll)	12 AWG bei 5,5 m (18 Fuß)			
FR604H	Nur Pumpe						115 VAC		
FR610H	Manuell	3,7 m UL		Metall, ausziehbar 508 mm – 876 mm (20 – 34-1/2 Zoll)					
FR610HA	Kfz-Benzin	3,7 m UL							
SD1202H	Manuell	3,0 m		PVC, 387 mm – 743 mm (15-1/4 – 29-1/4 Zoll)	12 AWG bei 4,6 m (15 Fuß)	12 VDC	19,1 mm (3/4 Zoll)		
SD1202HA	Kfz-Benzin	3,0 m			12 AWG bei 4,6 m (15 Fuß)				
SD602H	Manuell	3,7 m UL		PVC, 387 mm – 1099 mm (15-1/4 – 43-1/4 Zoll)		115 VAC			

**Leistungskurve für Serie 1200**



**Leistungskurve für Serie 2400**



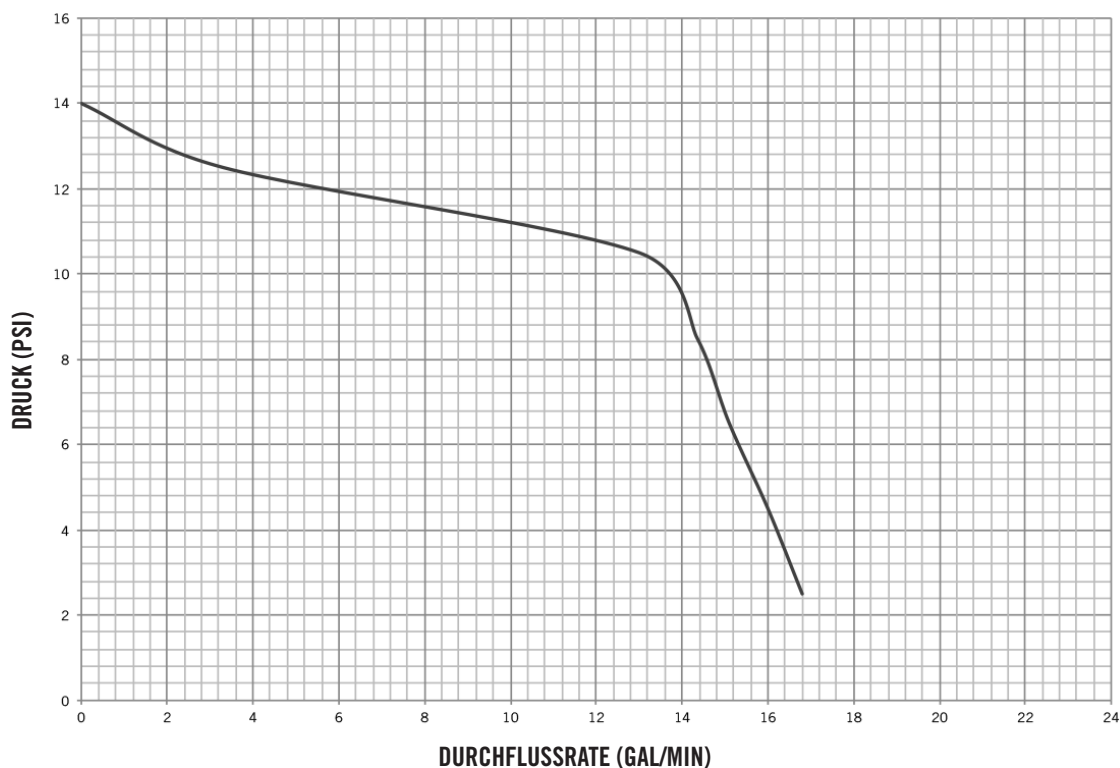
**Leistungskurve für Serie 4200**



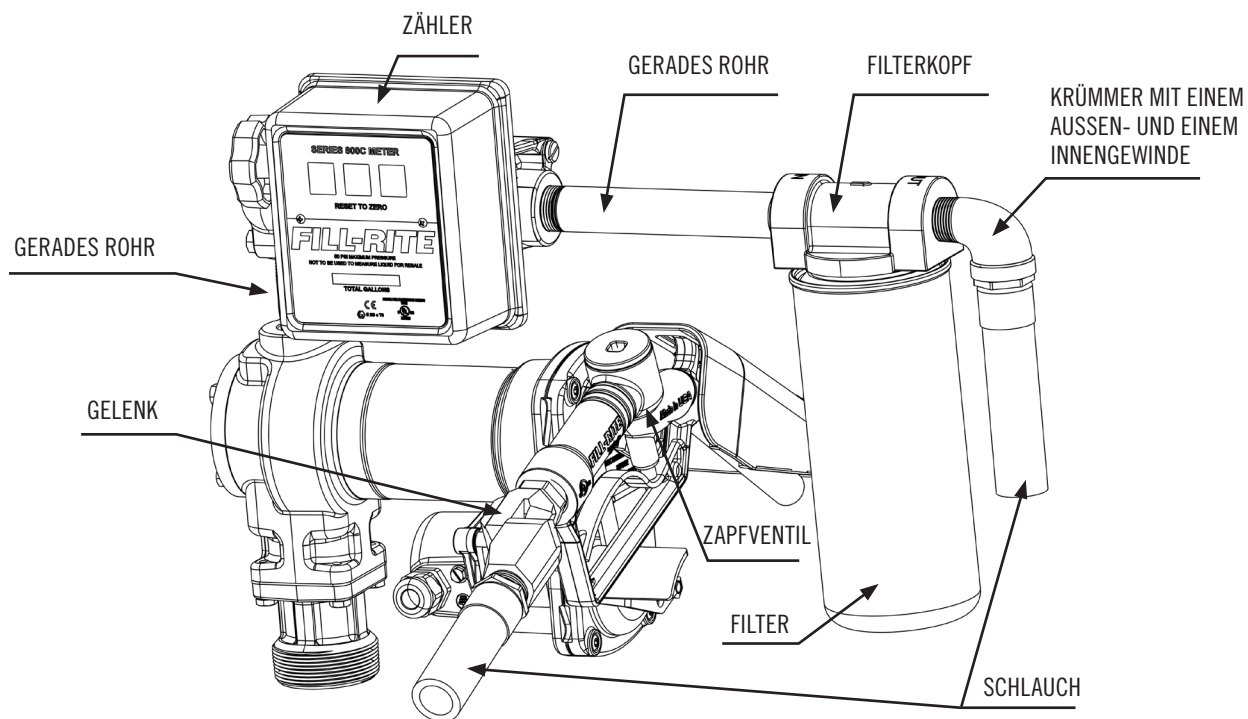
**Leistungskurve für Serie 4400**



**Leistungskurve für Serie 600**



**Zubehör**

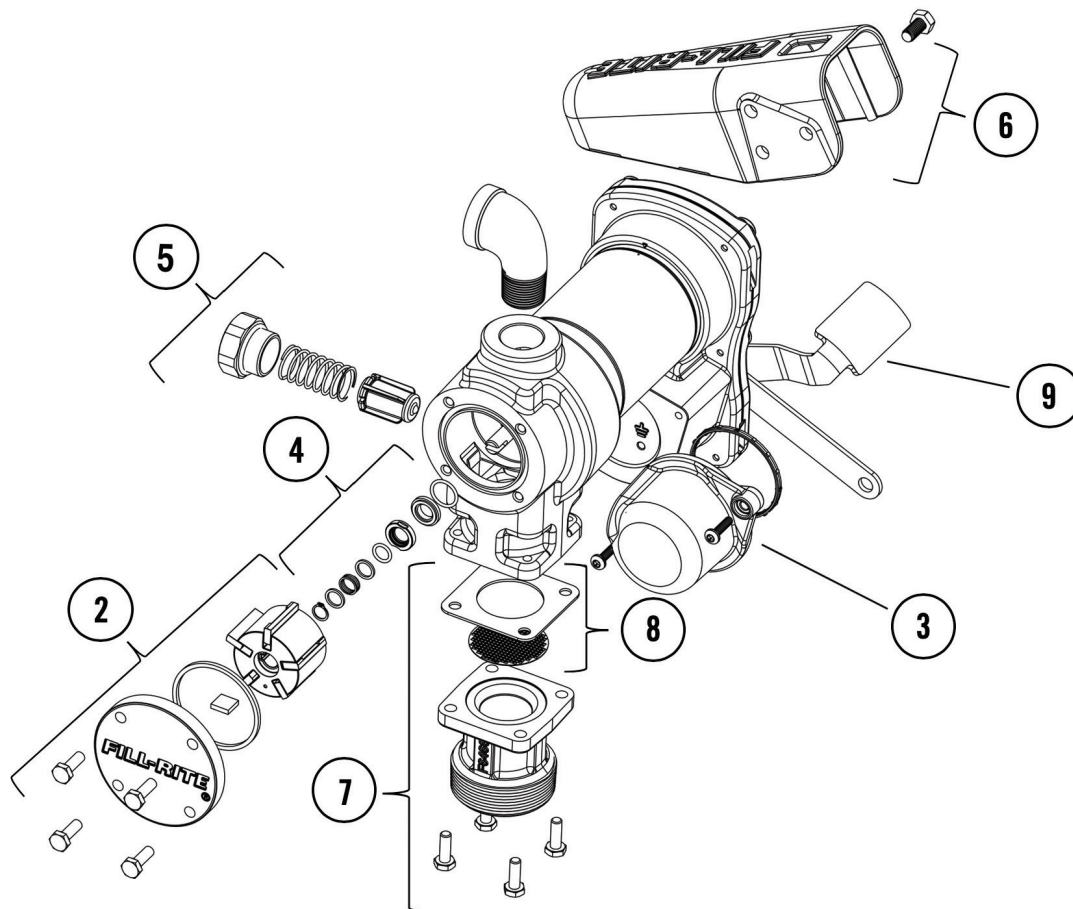


Korrekte Konfiguration von Zubehör

**Zubehör (Forts.)**

Zubehör	Serie		Auslassgröße		Hinweise	
			19,1 mm (3/4 Zoll)	25,4 mm (1 Zoll)		
Zapfventil	Manuell		FRHMAN075S	FRHMN1005	Benzin/Diesel	
	Automatik	Hoher Durchfluss	N075UUAU10	N100DAU12	Rote Halterung	
			N075DAU10	N100DAU12G	Grüne Halterung	
		Arktisch	FRNA075DAU10	FRNA100DAU00	Kaltwetter (-40 °C/°F)	
		Extrem hoher Durchfluss			N100DAU13	Rote Halterung
					N100DAU13G	Grüne Halterung
				N100DAU13Y	Gelbe Halterung	
Schlauch	3,7 m (12 Fuß), UL-Rating		700F3135	300F7773	Verträglich mit Benzin, Diesel, Kerosin und Petroleumöl	
	3,7 m (12 Fuß)		FRH07512	FRH10012		
	4,3 m (14 Fuß)		FRH07514	FRH10014		
	6,1 m (20 Fuß)		FRH07520	FRH10020		
Zähler	Mechanisch	3028 l/min (800 gpm)	807CMK		Gallonen	
			807CLMK		Liter	
		3407 l/min (900 gpm)		901CMK4200	Gallonen	
				901CLMK4200	Liter	
	Digital	3407 l/min (900 gpm)		900CD	Programmierbar	
				900CDP	Programmierbar mit integriertem Impulsgeber	
		TT		TT10AB	BSPP, Aluminium	
				TT10ABC	BSPP, vernickelt	
				TT10AN	NPT, Aluminium	
		TT10ANC	NPT, vernickelt			
Gelenk	Mehrere Ebenen		S075H1314	S100H1315	360°-Drehung	
Filter	Köpfe		1200KTG9075 (F18 Filter)	700ACCF7017 (F40 Filter)	Geeignet für Benzin/Diesel	
	Partikelfilter		F1810PMO (10 µm / 68 l/min)	F4010PMO (10 µm / 151 l/min)		
				F4030PMO (30 µm / 151 l/min)		
Hydrosorb		F1810HMO (10 µm / 68 l/min)				

**Pumpen-Wartungssätze**



Nr.	Satz	Beschreibung	Teile
1	KIT120BD*	BioDiesel-Satz	O-Ring-Dichtung, Einlass- und Bypasskappendichtungen, Bypassventilteller
2	KIT120RGG	Rotor- und Schiebersatz	Rotorabdeckung, Rotor, Schieber, Rotor-Passfeder, O-Ring-Dichtung, Befestigungsteile
3	KIT120JCH	Verteilerdosendeckel-Satz	Verteilerdosendeckel, Dichtung, Befestigungsteile
4	KIT120SL	Dichtungssatz	O-Ring, Wellendichtringe, Sicherungsklammer
5	KIT120BV	Bypass-Wartungssatz	Bypassventil, Ventulfeder, Bypasskappe, O-Ring-Dichtung
6	KIT120NB	Zapfventilhalterung-Satz	Zapfventilhalterung, Befestigungsteile
7	KIT120BG	Einlassflanschsatz	Einlassflansch (Fassmontage), Befestigungsteile, Einlassdichtung, Sieb
8	KIT120SG	Einlassdichtung und Sieb	Dichtung für Einlass (Fassmontage) und Sieb
9	KIT120SWH	Schalthebelsatz	Schalthebel, Befestigungsteile

\*KIT120BD ist in der Abbildung oben nicht angegeben.

## Sicherheitsprüfungszulassungen

Die Fill-Rite-Pumpenserie wurde Sicherheitsprüfungen hinsichtlich Konformität mit Normen unterzogen. Diese Produktfamilie wurde von Underwriters Laboratories (UL) zugelassen.



## Angaben am Motortypenschild

Das Motortypenschild der Fill-Rite-Pumpe enthält wichtige technische Daten und Leistungsangaben. Dieses Typenschild muss immer an der Pumpe angebracht bleiben.

<b>FILL-RITE</b>		MADE IN U.S.A. LB002540-009
STYLE R 2809HE	EXPLOSION-PROOF MOTOR	12 VOLTS DC
55°C RISE	30 MIN. DUTY	1/4 HP
2600 RPM	2809	2809
ENTRY THREADS ARE M20X 1.5 6H		CAUTION - MOTOR HAS AUTOMATIC RESET THERMAL PROTECTOR
		2809

**Segurance**  
 IEx10.0005X  
 Ex db IIA T6 Gb  
 EAC  
 C-X  
 IIA T6 Gb  
 MTSATEX0019X

**FILL-RITE**  
 A GORMAN-RUPP COMPANY

Fill-Rite Company  
 8825 Aviation Drive  
 Fort Wayne, Indiana 46809 USA

T 1 (800) 720-5192  
 1 (260) 747-7524  
 F 1 (800) 866-4681



fillrite.com | soteracom | gormanrupp.com